

Specifications sheet

PIXIS™

Mini spotlight



Plug and play version



Characteristics

The PIXIS is a mini LED spot that uses the latest technology in LED light output performance. It features 3 high powered LED in a very small package that is fully adjustable. Each PIXIS head can be fully rotated horizontally and allows for a 80° pivoting angle. Furthermore, it can be ordered with different mounting options: on a stem or with a plug and play connector. The PIXIS is ideal for application requiring small yet precise lighting solution.

Stem version



Electrical

Input

12V: 3.5W.
Dry locations only.
Class 2 input only.

Remote Power Supply

12V: Eklipse PSB-12-60.

Dimming Power Supply

12V: Eklipse LM-12-60.

Wiring

Each PIXIS head comes equipped with 24 AWG wire. *

Thermal control

Through constant thermal monitoring and current control, Eklipse intelligent board technology (IBT) maintains optimal light levels and operating temperature preventing harmful overheating by self adjusting to its environment.

Physical Construction

High thermal conductive machined aluminium.
Cold roll steel lens holder and arm.

Brass stem.

Light engine

High precision machined construction integrated heatsink. Field changeable snoot and lenses.

Adjustment

PIXIS head rotates 360° and can be tilted 80°. Stem rotates 360° independently for each PIXIS head.

Finish

Chrome, brushed chrome, black chrome or anodised black. *

Light

Light source

Three high power LEDs.

Light temperature

2700K, 3000K, 3500K, 4000K. *

CRI

85 (typical).

HIGH CRI

95 (typical) available for 2700K and 3000K.

Optics

18°, 24°, 41°.



Interior / Dry location only

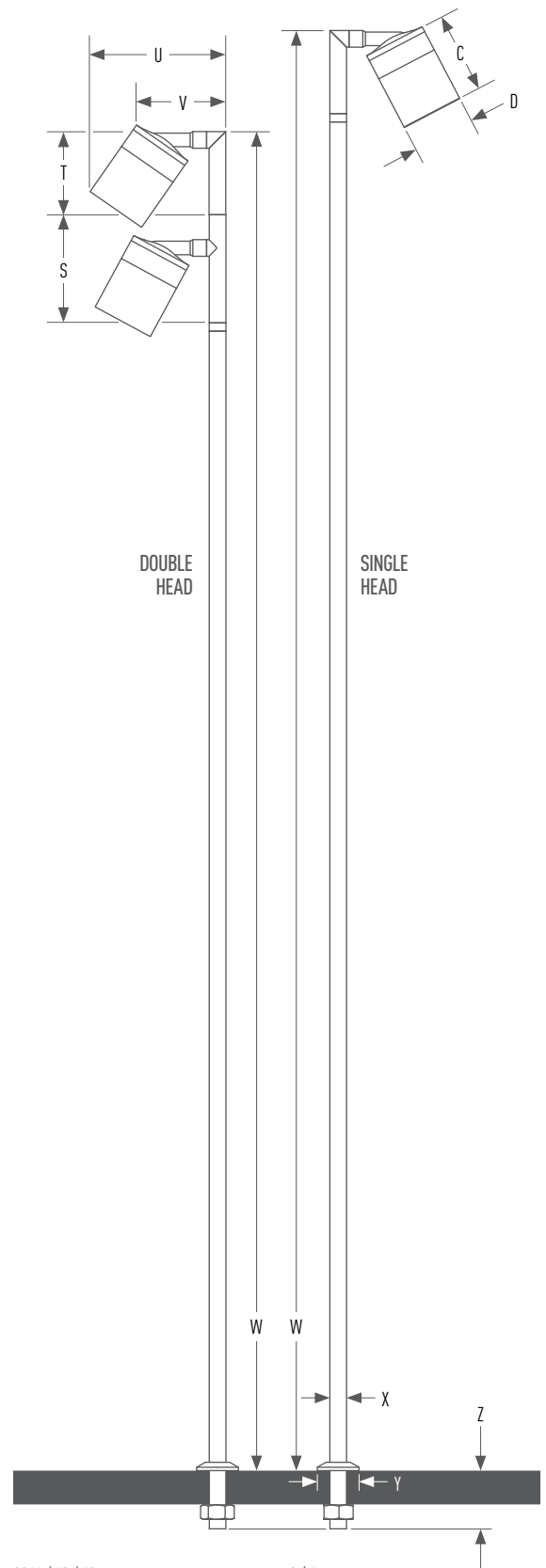
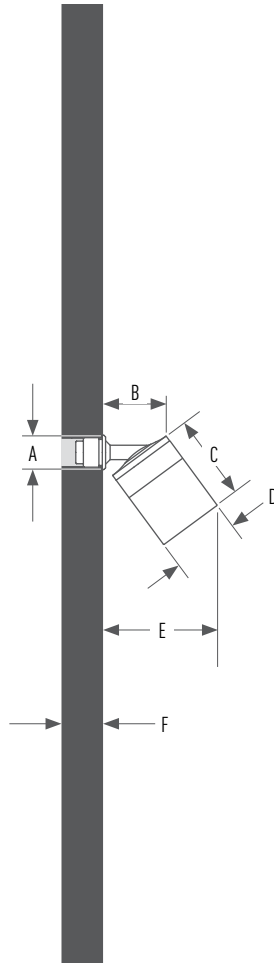


* Available for tailor-made application. Please contact your Eklipse representative for further informations.

Dimensions

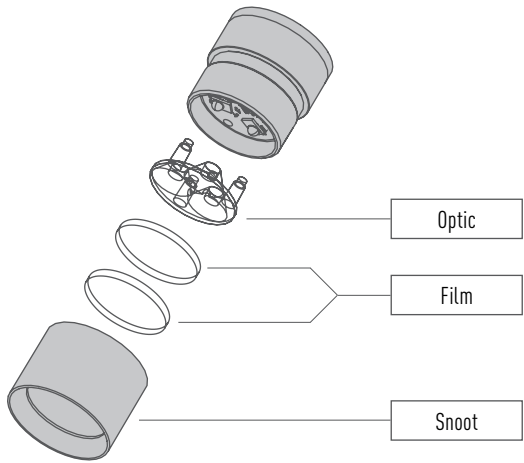
- A** D 0.625 in (16 mm)
- B** ~ 1.000 in (25 mm)
- C** 1.215 in (31 mm)
- D** D 0.920 in (23 mm)
- E** ~ 1.600 in (40 mm)
- F** Minimum 0.625 in (16 mm)

- S** 1.625 in (41 mm)
- T** 1.250 in (32 mm)
- U** ~ 2.000 in (51 mm)
- V** ~ 1.400 in (36 mm)
- W** Custom length - Maximum 18 in (457 mm)
- X** D 0.250 in (6 mm)
- Y** D 0.625 in (16 mm)
- Z** 0.875 in (22 mm)



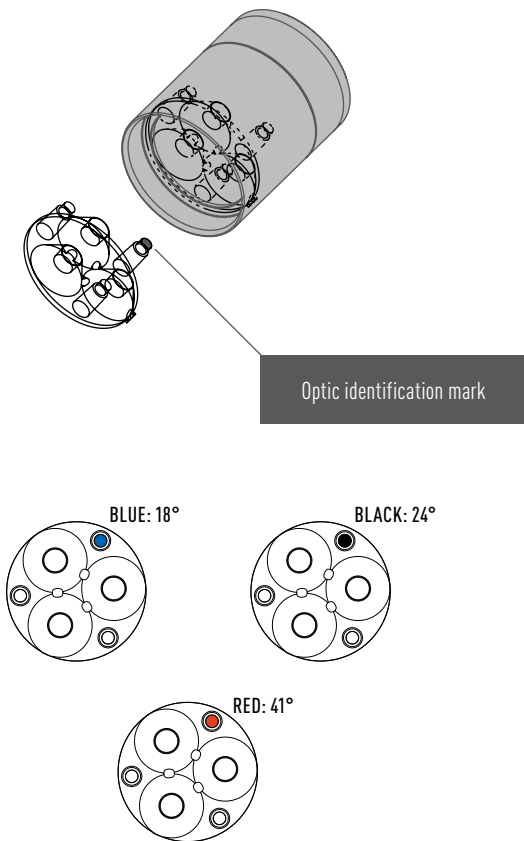
Customization

The PIXIS can accommodate up to two (2) interchangeable films and one (1) optic.



Optics identification

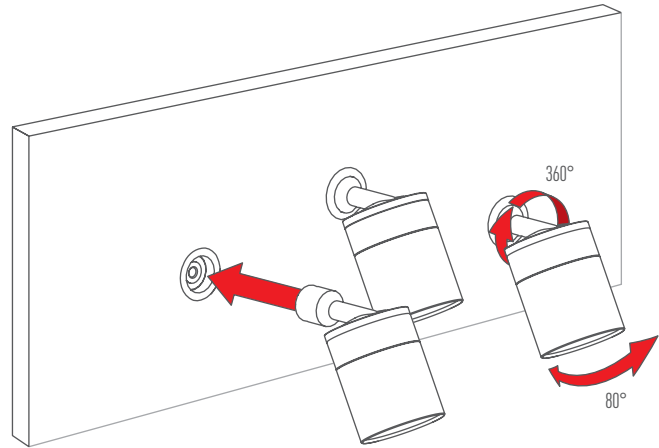
To identify the optics examine closely the spot indicated.



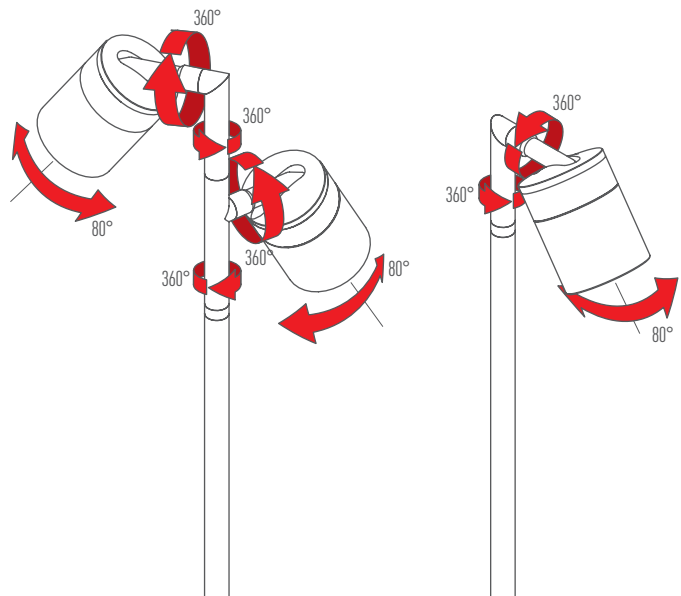
Light adjustments

The PIXIS head can be horizontally rotated a full 360° and can be combined with a 80° angle tilt for maximum light beam control. If combined with a STEM, PIXIS head can rotate vertically 360°.

Plug and play version



Stem version



Ordering code model

Plug and play version

ANATOMY OF AN EKLIPSE ORDERING CODE:

MODEL	VOLTAGE	WATTAGE	MOUNTING	STEM LENGTH	STEM HEAD	OPTICS	COLOR	FINISH
P	12V	3.5W	PP	N/A	N/A	24	27K	ABK
P = PIXIS	12V = 12 volts	3.5W = 3.5W watts	PP = Plug and play connector	Not available for the plug and play version.	Not available for the plug and play version.	18 = 18° 24 = 24° 41 = 41°	27K = 2700K 30K = 3000K 35K = 3500K 40K = 4000K CUS = Custom	CH = Chrome BC = Brushed Chrome BCH = Black Chrome ABK = Anodised Black CUS = Custom

Final ordering code: **P - 12V - 3.5W - PP - N/A - N/A - 24 - 27K - ABK**

Stem version

ANATOMY OF AN EKLIPSE ORDERING CODE:

MODEL	VOLTAGE	WATTAGE	MOUNTING	STEM LENGTH	STEM HEAD	OPTICS	COLOR	FINISH
P	12V	3.5W	S	10	1H	24	27K	ABK
P = PIXIS	12V = 12 volts	3.5W = 3.5 watts	S = Stem mount	5 10 15 5.5 10.5 15.5 6 11 16 6.5 11.5 16.5 7 12 17 7.5 12.5 17.5 8 13 18 8.5 13.5 9 14 9.5 14.5	1H = Single head 2H = Double head	18 = 18° 24 = 24° 41 = 41°	27K = 2700K 30K = 3000K 35K = 3500K 40K = 4000K CUS = Custom	CH = Chrome BC = Brushed chrome BCH = Black chrome ABK = Anodised black CUS = Custom

Stem length is calculated in inches.

Final ordering code: **P - 12V - 3.5W - S - 10 - 1H - 24 - 27K - ABK**

Installation notes



Requires power tools and fastening hardware not included.



Risk of electric shock.

Warranty

Our products and relative parts are guaranteed for **five (5)** years.
See our terms and conditions on www.eklipselighting.com



EKLIPSE™
ARCHITECTURAL LIGHTING

2090 rue Moreau, Suite 100
H1W 2M3 Montréal QC
Canada

T +1 514 590 0099

F +1 514 590 0098

sales@eklipselighting.com

www.eklipselighting.com

EKLIPSE™

ARCHITECTURAL LIGHTING

2090 rue Moreau, Suite 100
H1W 2M3 Montréal QC - Canada
T +1 514 590 0099 / F +1 514 590 0098
sales@eklipseighting.com

www.eklipseighting.com

Specifications may vary, without altering or reducing product performance. All information on this document are the sole property of Eclipse Architectural Lighting inc.

Reproduction of this document, in whole or in part, without written permission is illegal.