

Specifications sheet **ADENA™**

Light bridge



Characteristics

ADENA™. Today's reference in case lighting. Designed to be the most quiet light bridge in the world, ADENA™ perfectly conceals its light and totally eliminates undesirable glare. ADENA™ is also uncompromising on light distribution. Its light floods the entire usable space in a display case, assuring generous coverage even when products are set onto elevating accessories, such as neckforms and risers.

ADENA™'s focused point sources significantly enhances sparkle on faceted surfaces, making jewelry come alive, thereby captivating its audience.

Electrical

Input

Available from 3W/ft to 7.5W/ft in increments of 0.5W/ft.

Remote Power Supply

12V: Eklipse™ PSB-12-60.
24V: Eklipse™ PSB-24-100.

Dimming Power Supply

12V: Eklipse™ LM-12-60.
24V: Eklipse™ LM-24-100.

Wiring

48" length (1.2 m) - 20 AWG wire lead with WAGO quick connector. *

Thermal control

Through constant thermal monitoring and current control, Eklipse™ intelligent board technology (IBT) maintains optimal light levels and operating temperature preventing harmful overheating by self adjusting to its environment.

Physical

Construction

High thermal conductive extruded aluminium.

Light engine

12V: increments of 4" (102 mm).
24V: increments of 8" (203 mm).
LEDs are placed off-centered.

Finish

Chrome, brushed chrome, black chrome, gold, brushed gold, painted black, painted white. *

Light

Light source

High power linear LED

Light temperature

2700K, 3000K, 3500K, 4000K, 5000K. *

CRI

85 (typical).

Light beam

50° tilted light source.

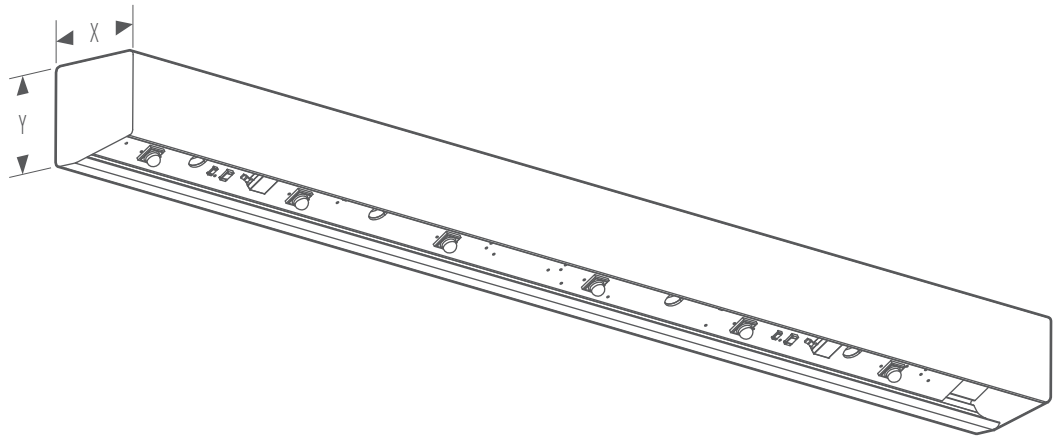


Interior / Dry location only



Dimensions

X 0.625" (16 mm)
Y 0.625" (16 mm)

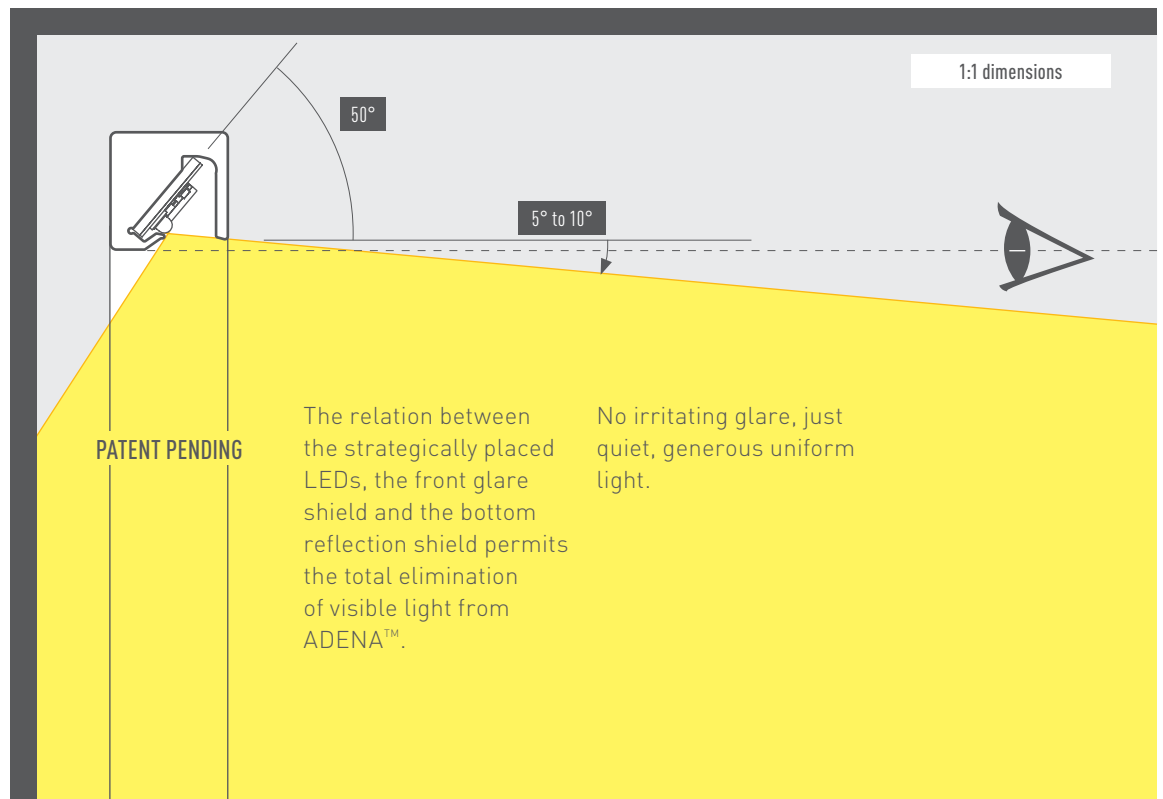


Light resolution Design concept

Distinct

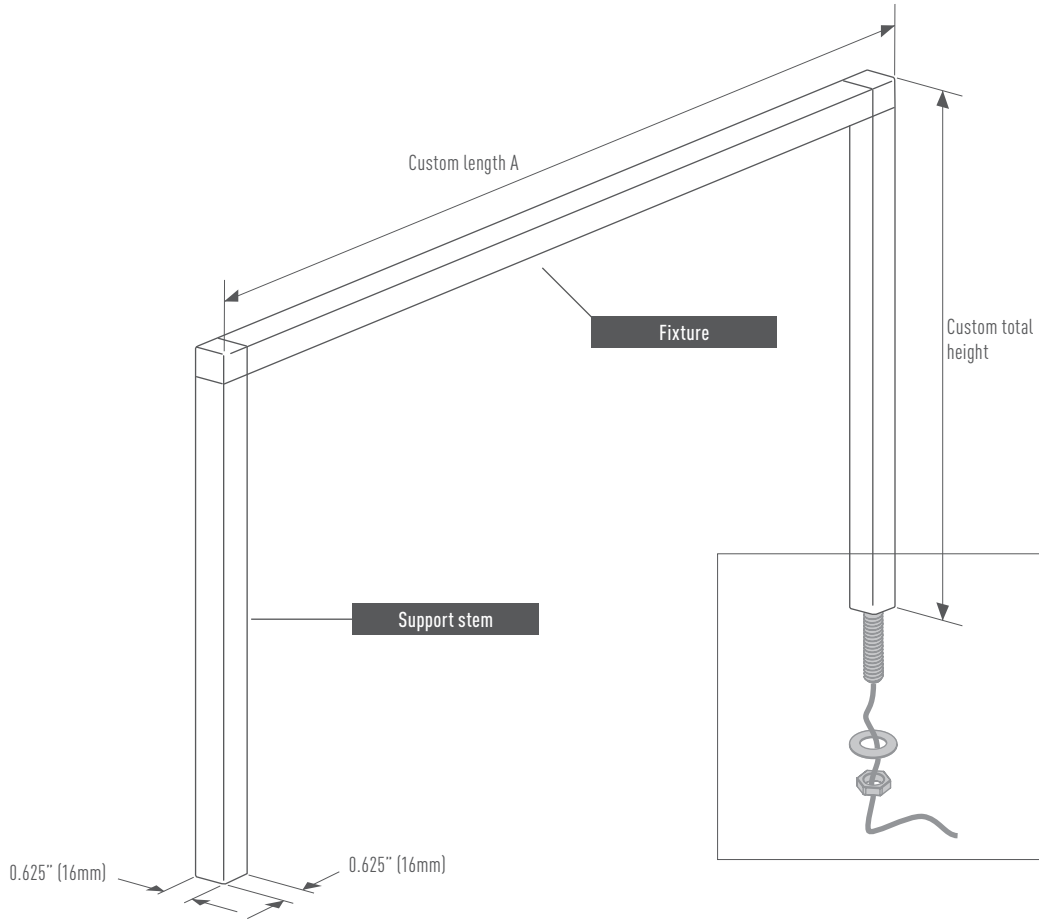


High distance between LED sources creating a multiple spot effect.

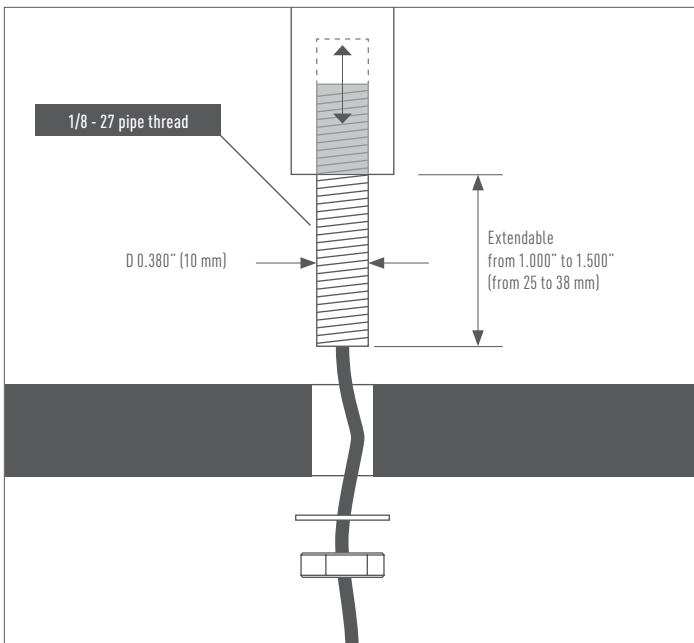
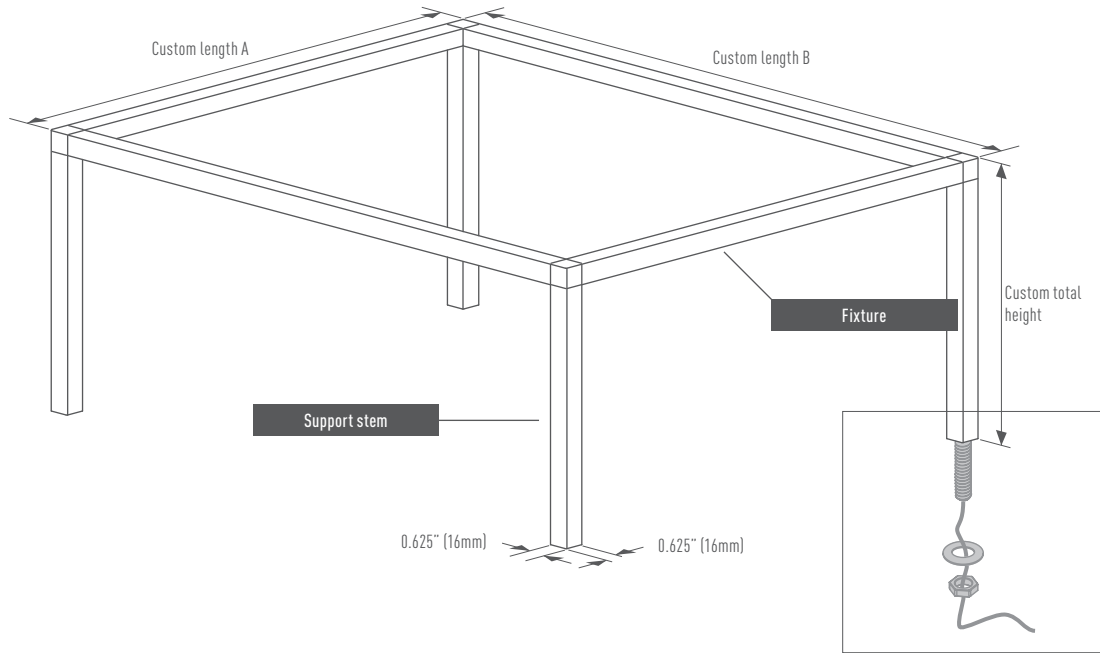


Installation

SINGLE SEGMENT



MULTIPLE SEGMENTS

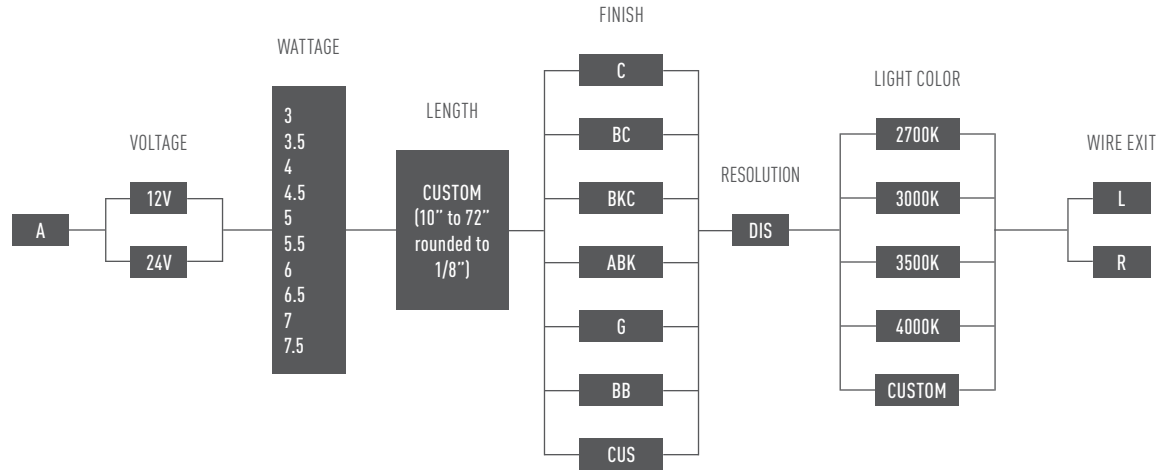


Ordering code model

ADENA™ body

Each segment is specified separately

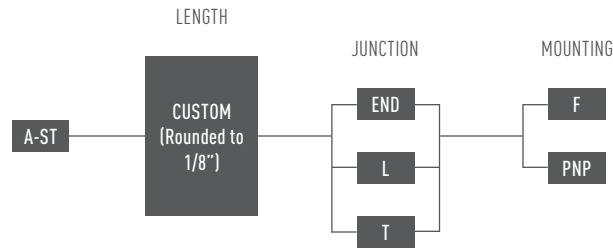
- C Chrome
- BC Brushed chrome
- BKC Black chrome
- ABK Anodised black
- W Painted white
- G Gold
- BB Brushed brass
- CUS Custom finish



Support stem

Each stem is specified separately

- F Fastening hardware
- PNP Plug and play connector



Installation Notes



Requires power tools and fastening hardware not included.



Risk of electric shock.

Warranty

Our products and relative parts are guaranteed for **five (5)** years.
See our terms and conditions on www.eclipselighting.com



EKLIPSE™
ARCHITECTURAL LIGHTING

2090 rue Moreau, Suite 100
H1W 2M3 Montréal QC
Canada

T +1 514 590 0099

F +1 514 590 0098

sales@eclipselighting.com

www.eclipselighting.com

EKLIPSE™

ARCHITECTURAL LIGHTING

2090 rue Moreau, Suite 100
H1W 2M3 Montréal QC - Canada
T +1 514 590 0099 / F +1 514 590 0098
sales@eklipseighting.com

www.eklipseighting.com

Specifications may vary, without altering or reducing product performance. All information on this document are the sole property of Eclipse™ Architectural Lighting

inc. Reproduction of this document, in whole or in part, without written permission is illegal.