

Specifications sheet

MILI™

Micro linear luminaire



Characteristics

With its design process we proudly removed all the unnecessary physical material to leave only light.

MILI™ can be perfectly embedded in the retail furniture, such as display shelves, to be basically invisible to the observer. With its miniaturized dimensions and perfect light distribution, MILI™ revolutionizes shelf illumination.

MILI™ is held in place with magnets, even in its version for the LIFELINE™ tracklight. In this case, all fixtures can be easily repositioned in the system when required.

Electrical

Input

Available from 3W/ft to 5W/ft in increments of 0.5W/ft.

Remote Power Supply

24V: Eklipse™ PSB-24-100.

Dimming Power Supply

24V: Eklipse™ LM-24-100.

Wiring

48" length (1.2 m) - 20 AWG wire lead with WAGO quick connector. *

Thermal control

Through constant thermal monitoring and current control, Eklipse™ intelligent board technology (IBT) maintains optimal light levels and operating temperature preventing harmful overheating by self adjusting to its environment.

* Available for tailor-made application. Please contact your Eklipse™ representative for further informations.

Physical

Construction

High precision thin walled aluminium extrusion.

Adjustment

Magnetic insert allows a quick and easy installation.

Finish

Anodized clear.
Anodized black. *

Light

Light source

35° tilted light source.

Light temperature

2700K, 3000K, 3500K, 4000K. *

CRI

85 (typical).

Film

Integrated frosted film.



Interior / Dry location only



Mates with LIFELINE™



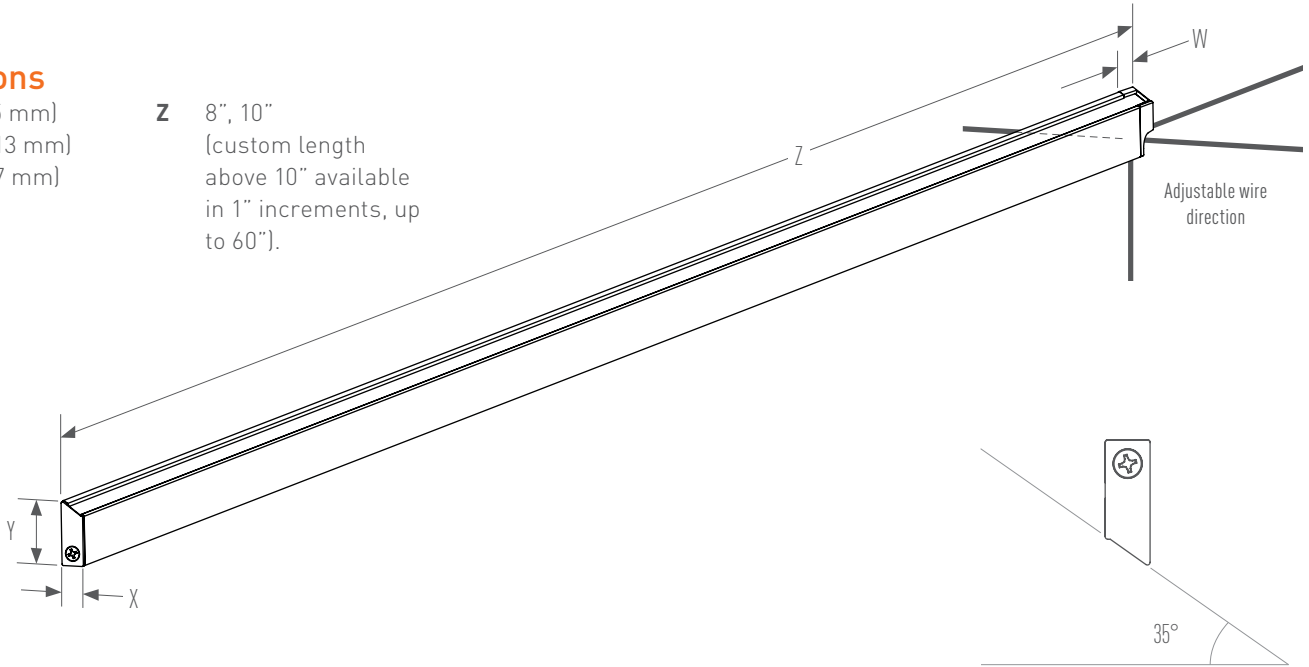
Dimensions

X 0.182" (5 mm)

Y 0.500" (13 mm)

W 0.260" (7 mm)

Z 8", 10"
(custom length
above 10" available
in 1" increments, up
to 60").

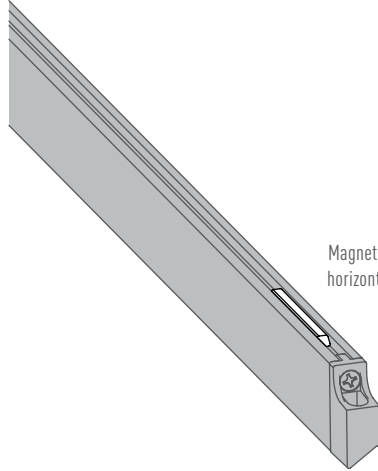


Light resolution Mounting options

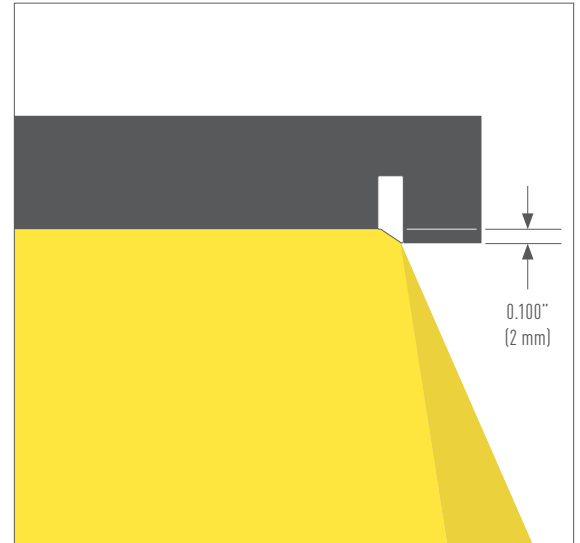
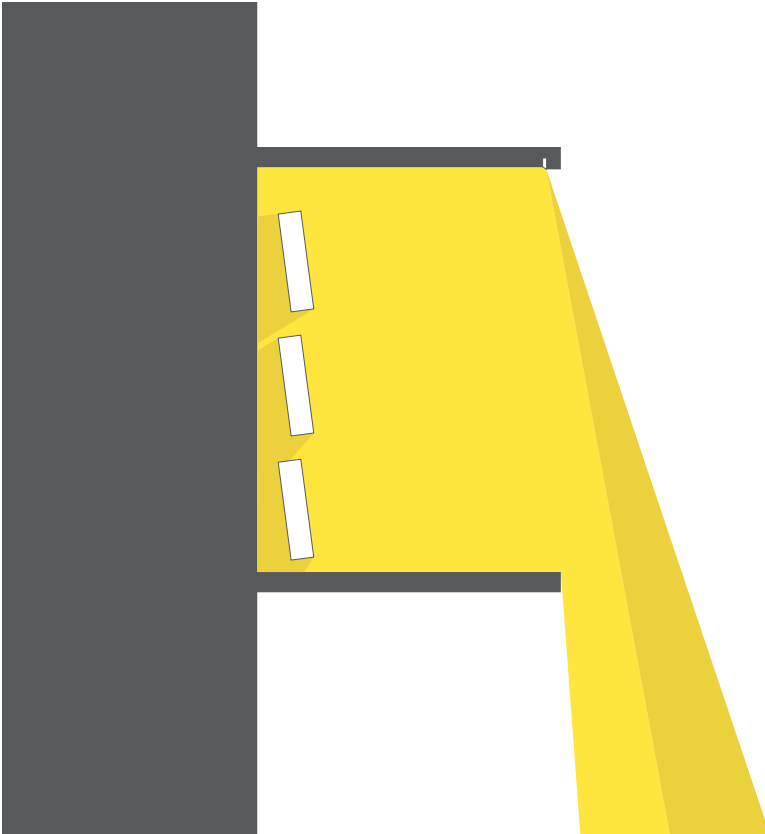
High density



Uniform light
appearance.



Design concept



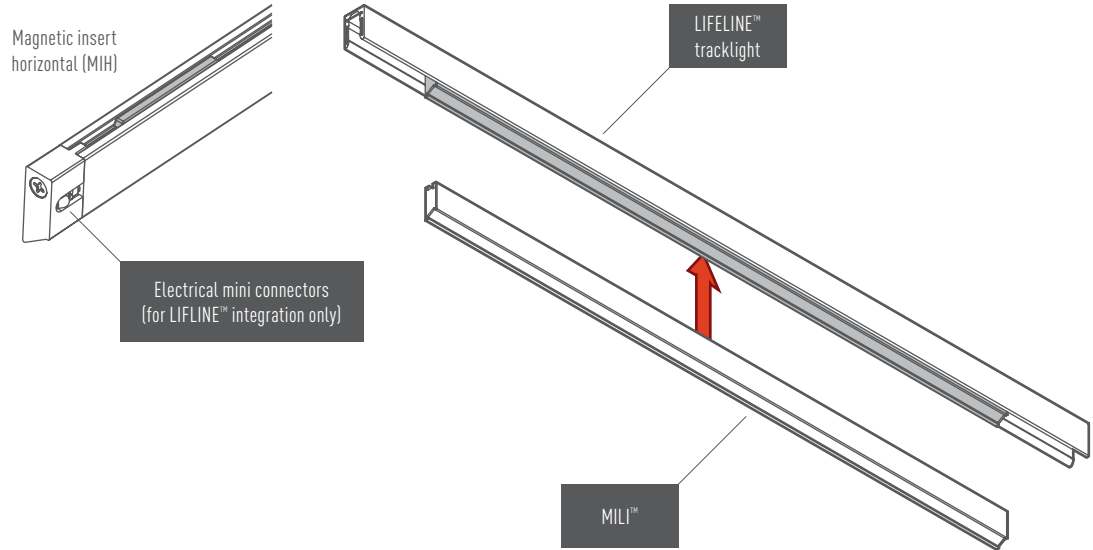
Optimized light distribution

MILI™, with its miniaturized dimensions is imperceptible once integrated in the shelf. It illuminates homogeneously the display spaces to the very top, without projecting any shadow.

Integration

LIFELINE™

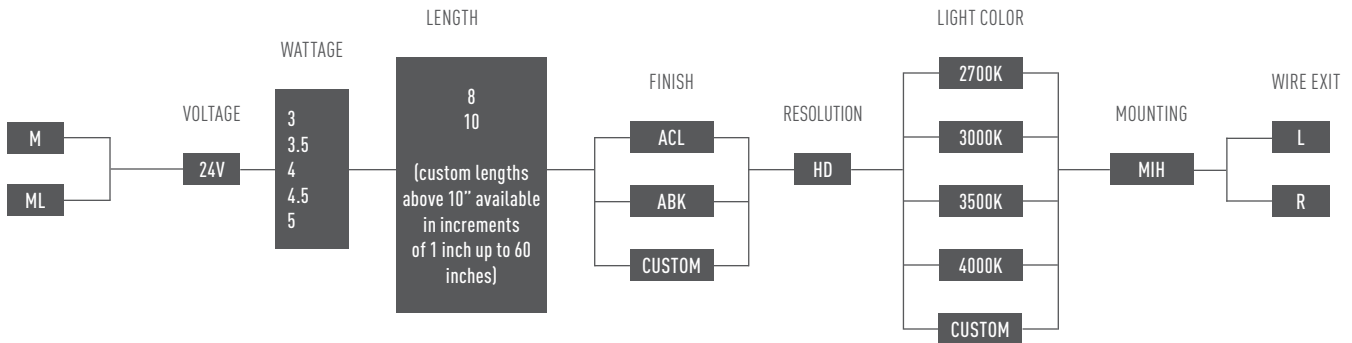
MILI™ version for the LIFELINE™ system holds in place with magnets.



MILI™ can be plugged and unplugged without turning off the electricity.

MILI™ also slides freely along the LIFELINE™ track.

Ordering code model



Installation Notes



Requires power tools and fastening hardware not included.



Risk of electric shock.

Warranty

Our products and relative parts are guaranteed for **five (5)** years.
See our terms and conditions on www.eclipselighting.com



EKLIPSE
ARCHITECTURAL LIGHTING™

2090 rue Moreau, Suite 100
H1W 2M3 Montréal QC
Canada

T +1 514 590 0099

F +1 514 590 0098

sales@eclipselighting.com

www.eclipselighting.com

EKLIPSE™

ARCHITECTURAL LIGHTING

2090 rue Moreau, Suite 100
H1W 2M3 Montréal QC - Canada
T +1 514 590 0099 / F +1 514 590 0098
sales@eklipselighting.com

www eklipselighting.com

Specifications may vary, without altering or reducing product performance. All information on this document are the sole property of Eclipse™ Architectural Lighting

inc. Reproduction of this document, in whole or in part, without written permission is illegal.