

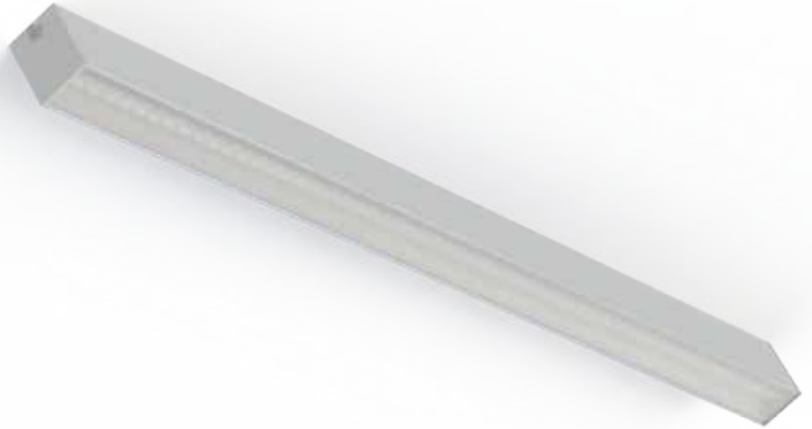
# NIXE<sup>®</sup>

LINEAR LED



# NIXE<sup>®</sup>

## LINEAR LED



### CHARACTERISTICS

Our new NIXE<sup>®</sup> recessed linear LED luminaire is one of the smallest on the market, measuring only 3/8 inches - barely the width of a fountain pen. It integrates its environment perfectly and seamlessly, without any apparent trims or edges. This benefits aesthetic as well as functional values, keeping the surface even and diffusing light without interruption.

We have specially studied and developed its linear optics to create a light source without any visible dots, giving constant and uniform luminance. Despite this technical challenge, NIXE<sup>®</sup> still controls its light distribution!

It offers four different light beams, from very narrow to very wide, as well as an asymmetrical distribution.

### APPLICATIONS



### ELECTRICAL

#### INPUT

Available from 3W/ft to 6.5W/ft in increments of 0.5W/ft.

#### REMOTE POWER SUPPLY

24V: Eklipse™ PSB-24-100.

#### DIMMING POWER SUPPLY

24V: Eklipse™ LM-24-100.

#### WIRING

48" length (1.2 m) - 20 AWG wire lead with WAGO quick connector. \*

#### THERMAL CONTROL

Through constant thermal monitoring and current control, Eklipse™ intelligent board technology (IBT) maintains optimal light levels and operating temperature preventing harmful overheating by self adjusting to its environment.

### PHYSICAL

#### CONSTRUCTION

High thermal conductive extruded aluminium.

#### LIGHT ENGINE

24V: increments of 2" (51 mm) and 8" (203 mm).

#### ADJUSTMENT

Magnetic insert allows a quick and easy installation.

#### FINISH

Anodized clear. \*

### SOURCE AND OPTICS

#### LIGHT SOURCE

Mid power linear LEDs.

#### LIGHT TEMPERATURE

2700K, 3000K, 3500K, 4000K. \*

#### CRI

85 (typical).

#### OPTICS

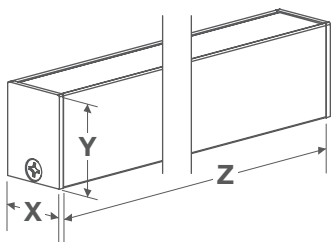
20° with visible dots.

40° with some degree of dots visible.

70°, 100° diffused and asymmetric in uniform luminance (no visible dots).

\* Available for tailor-made application. Please contact your Eklipse™ representative for further informations.

### NOMINAL DIMENSIONS



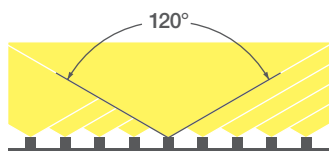
**X** 0.375" (10 mm)

**Y** 0.500" (13 mm)

**Z** Extrusion available in 2" increments, up to 72" (refer to ordering code).

*Nominal dimensions do not include end caps.*

### LIGHT ENGINE



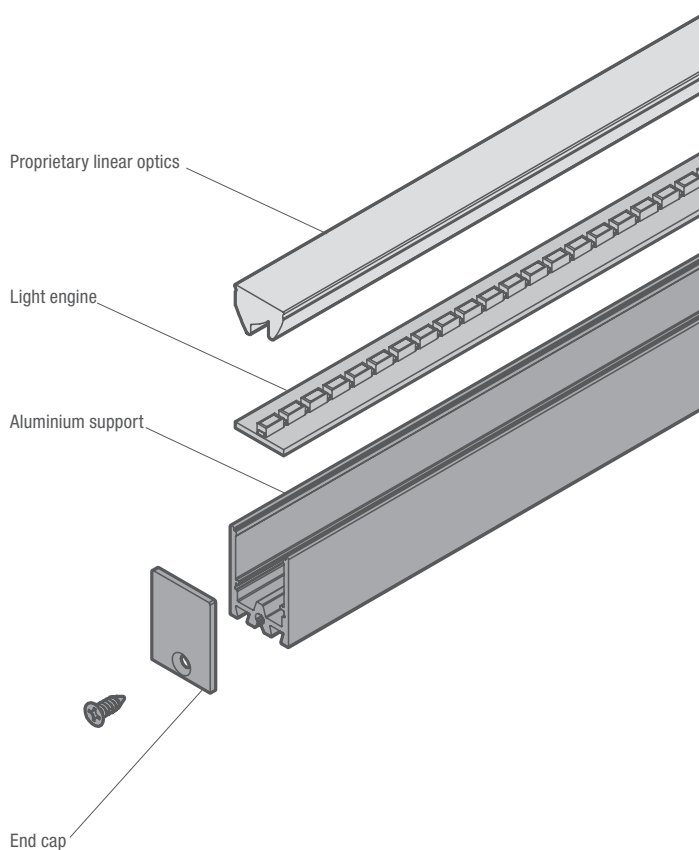
The Mild Blend offers a large beam and smaller distance between LEDs reducing spotting effect.

### INCREMENTS & VOLTAGE

The Mild Blend light engine is available in increments of 2 and 8 inches. This means that you can order your fixture in 2 or 8 inch multiples to a maximum length of 72 inches.

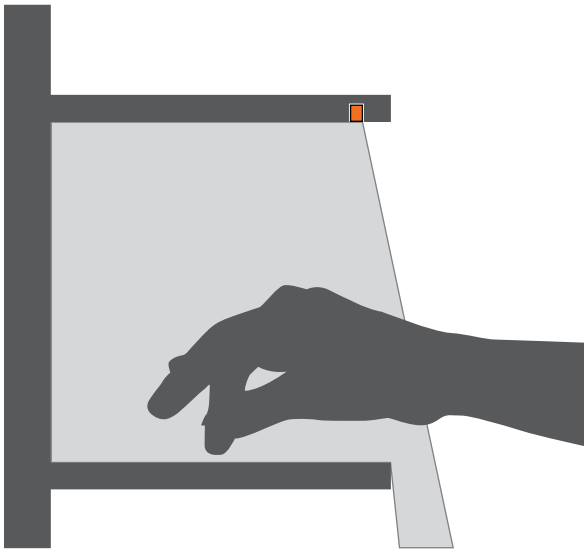
No matter what increment you choose, the Mild Blend light engine runs at 24 volts.

### PARTS



## DESIGN CONCEPT

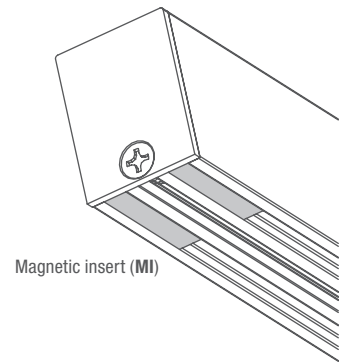
Asymmetric light beam



Narrow light beam



## MOUNTING OPTIONS



100° Diffused light beam



### ORDERING CODE MODEL

#### ANATOMY OF AN EKLIPSE™ ORDERING CODE:

MODEL	VOLTAGE	WATTAGE / FT	LIGHT ENGINE	LENGTH	END CAP	WIRING	EXTRUDED OPTICS	FILM	COLOR	FINISH
<b>N</b>	<b>24V</b>	<b>5.5W</b>	<b>MB</b>	<b>64</b>	<b>MI</b>	<b>L</b>	<b>AS</b>	<b>NA</b>	<b>27K</b>	<b>ACL</b>
N = NIXE <sup>®</sup>	24V = 24 volts	3 W 3.5 W 4 W 4.5 W 5 W 5.5 W 6 W 6.5 W	MB = Mild blend	2 30 58 4 32 60 6 34 62 8 36 64 10 38 66 12 40 68 14 42 70 16 44 72 18 46 20 48 22 50 24 52 26 54 28 56  Lengths in inches. Bracket thickness not included.	MI = Magnetic insert	L = Left R = Right	20 = 20° Clear 40 = 40° Semi-frosted 70 = 70° Diffused 100 = 100° Diffused AS = Asymmetric diffused	NA = Not available	27K = 2700K 30K = 3000K 35K = 3500K 40K = 4000K CUS = Custom	ACL = Anodized clear CUS = Custom

Final Eclipse™ ordering code: **N - 24V - 5.5W - MB - 64 - MI - L - AS - NA - 27K - ACL**

#### INSTALLATION NOTES



#### WARRANTY

Five (5) years on parts.

#### APPROVAL

Approved CSA / UL and CE.



# EKLIPSE™

ARCHITECTURAL LIGHTING

2090 rue Moreau, Suite 100  
Montréal, Qc, H1W 2M3  
t. 514.590.0099 | f. 514.590.0098  
e. sales@eklipseighting.com  
w. www.EklipseLighting.com

SPECIFICATIONS MAY VARY, WITHOUT ALTERING OR REDUCING PRODUCT PERFORMANCE. ALL INFORMATION ON THIS DOCUMENT ARE THE SOLE PROPERTY OF EKLIPSE™. REPRODUCTION OF THIS DOCUMENT, IN WHOLE OR IN PART, WITHOUT WRITTEN PERMISSION IS ILLEGAL.