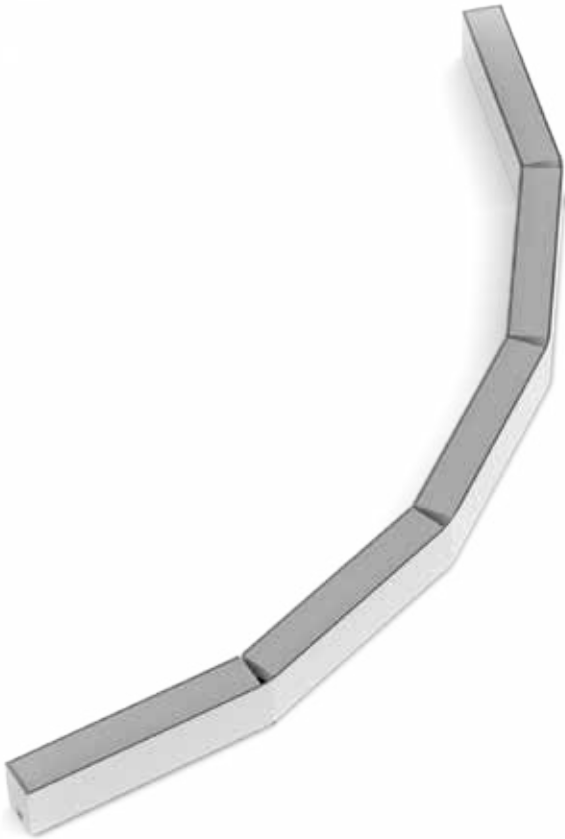


Specifications sheet

# NIXE<sup>®</sup> FLEX

Curvable linear luminaire





## Characteristics

Our new NIXE® linear LED luminaire is one of the smallest on the market, measuring only 3/8 inches - barely the width of a fountain pen. It integrates its environment perfectly and seamlessly, without any apparent trims or edges. This benefits aesthetic as well as functional values, keeping the surface even and diffusing light without interruption.

We have specially studied and developed its linear optics to create a light source without any visible dots, giving constant and uniform luminance. Despite this technical challenge, NIXE® still controls its light distribution. It offers four different light beams, from very narrow to very wide, as well as an asymmetrical distribution.

### Electrical

#### Input

Available from 3W/ft to 6.5W/ft in increments of 0.5W/ft.

#### Remote Power Supply

24V: Eklipse™ PSB-24-100.

#### Dimming Power Supply

24V: Eklipse™ LM-24-100.

#### Wiring

48" length (1.2 m) - 20 AWG wire lead with WAGO quick connector. \*

#### Thermal control

Through constant thermal monitoring and current control, Eklipse™ intelligent board technology (IBT) maintains optimal light levels and operating temperature preventing harmful overheating by self adjusting to its environment.

\* Available for tailor-made application. Please contact your Eklipse™ representative for further information.

### Physical

#### Construction

High thermal conductive extruded aluminium.

#### Light engine

24V: segments of 1" (25 mm), 2" (51 mm), 3" (76 mm), 8" (203 mm).

#### Adjustment

Magnetic insert allows a quick and easy installation.

#### Finish

Anodized clear. \*

### Light

#### Light source

Mid power linear LEDs.

#### Light temperature

2700K, 3000K, 3500K, 4000K. \*

#### CRI

85 (typical).

#### Optics

20° with visible dots.  
40° with some degree of dots visible.  
70°, 100° diffused and asymmetric in uniform luminance (no visible dots).

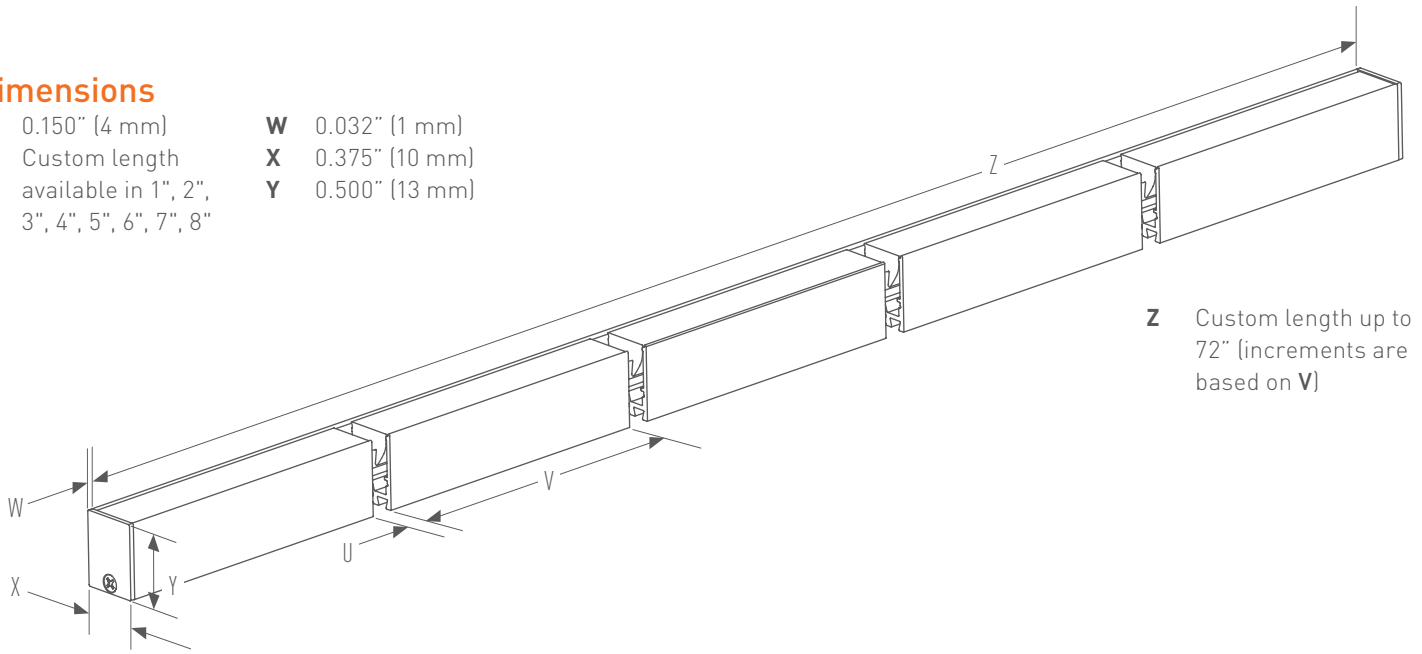


Interior / Dry location only



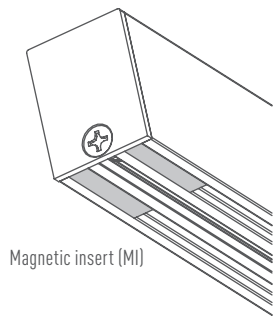
## Dimensions

|          |   |          |                |
|----------|---|----------|----------------|
| <b>U</b> | 0.150" (4 mm)   | <b>W</b> | 0.032" (1 mm)  |
| <b>V</b> | Custom length<br>available in 1", 2",<br>3", 4", 5", 6", 7", 8" | <b>X</b> | 0.375" (10 mm) |
|          |   | <b>Y</b> | 0.500" (13 mm) |

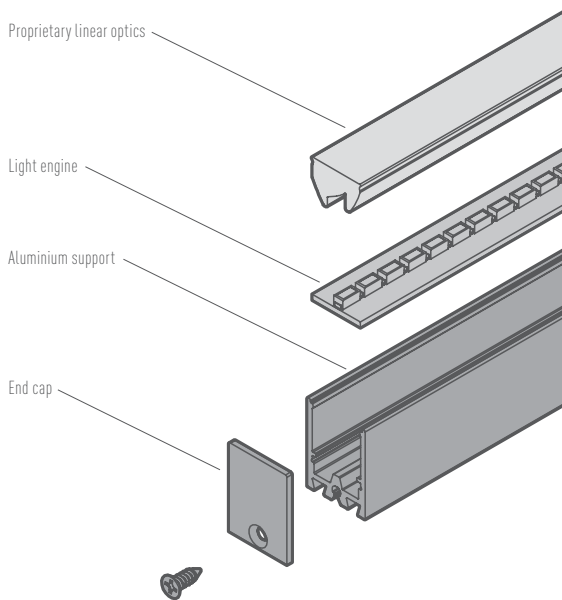


**Z** Custom length up to 72" (increments are based on V)

## Installation



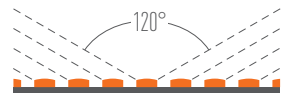
## Parts



## Source model

### Mild Blend

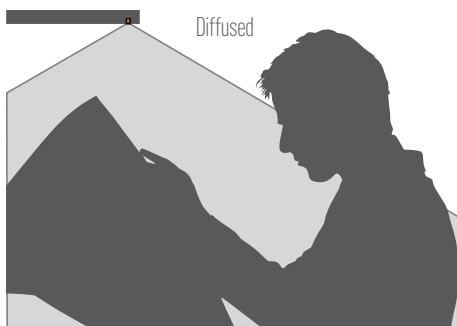
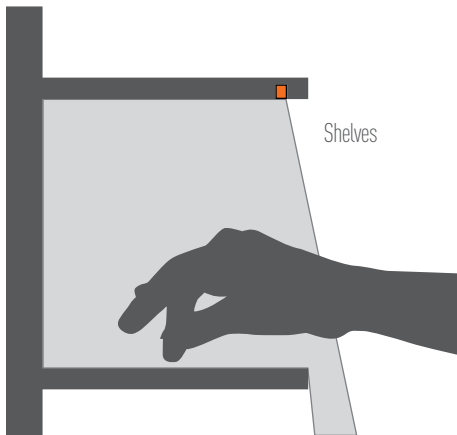
The Mild Blend model offers a large beam and smaller distance between LEDs, reducing spotting effect.



The Mild Blend model for NIXE® runs at 24V only and is available in multiples of 1, 2, 3 and 8 inches up to 72 inches.

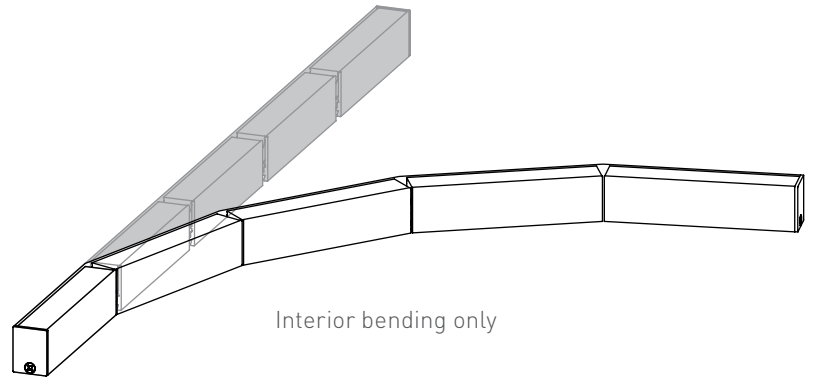
**24**  
VOLTS 

## Applications

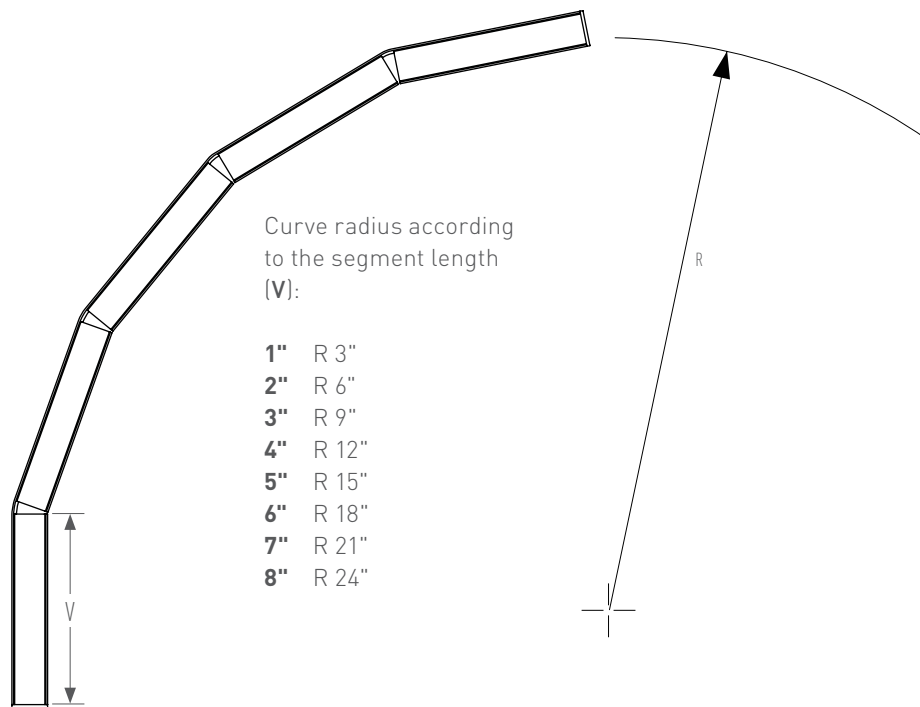


## Adjustments

### Bending



### Curve radius



## Ordering code model

| ANATOMY OF AN EKLIPSE™ ORDERING CODE:  |                |  |                 |   |                                     |                       |  |                    |  |                                      |
|--|----------------|--|-----------------|---|-------------------------------------|-----------------------|--|--------------------|--|--------------------------------------|
| MODEL  | VOLTAGE        | WATTAGE / FT   | LIGHT ENGINE    | LENGTH  | END CAP                             | WIRING                | EXTRUDED OPTICS  | FILM               | COLOR  | FINISH                               |
| NF   | 24V            | 5.5W   | MB              | 64  | MIH                                 | L                     | AS   | NA                 | 27K  | ACL                                  |
| NF =<br>NIXE® FLEX   | 24V = 24 volts | 3 W<br>3.5 W<br>4 W<br>4.5 W<br>5 W<br>5.5 W<br>6 W<br>6.5 W | MB = Mild blend | 4 to 72<br>Increments of 1, 2,<br>3, 4, 5, 6, 7 and 8<br><br>Lengths in inches.<br>Bracket thickness<br>not included. | MIH = Magnetic insert<br>horizontal | L = Left<br>R = Right | 20 = 20° Clear<br>40 = 40° Semi-frosted<br>70 = 70° Diffused<br>100 = 100° Diffused<br>AS = Asymmetric<br>diffused | NA = Not available | 27K = 2700K<br>30K = 3000K<br>35K = 3500K<br>40K = 4000K<br>CUS = Custom | ACL = Anodized clear<br>CUS = Custom |
| Final Eclipse™ ordering code: <b>NF - 24V - 5.5W - MB - 64 - MIH - L - AS - NA - 27K - ACL</b> |                |  |                 |   |                                     |                       |  |                    |  |                                      |

## Installation Notes



Requires power tools and fastening hardware not included.



Risk of electric shock.

## Warranty

Our products and relative parts are guaranteed for **five (5)** years.  
See our terms and conditions on [www.eklipselighting.com](http://www.eklipselighting.com)



**EKLIPSE™**  
ARCHITECTURAL LIGHTING

2090 rue Moreau, Suite 100  
H1W 2M3 Montréal QC  
Canada

T +1 514 590 0099

F +1 514 590 0098

[sales@eklipselighting.com](mailto:sales@eklipselighting.com)

[www.eklipselighting.com](http://www.eklipselighting.com)

# EKLIPSE™

ARCHITECTURAL LIGHTING

2090 rue Moreau, Suite 100  
H1W 2M3 Montréal QC - Canada  
T +1 514 590 0099 / F +1 514 590 0098  
sales@eklipselighting.com

[www eklipselighting.com](http://www eklipselighting.com)

Specifications may vary, without altering or reducing product performance. All information on this document are the sole property of Eclipse™ Architectural Lighting

inc. Reproduction of this document, in whole or in part, without written permission is illegal.