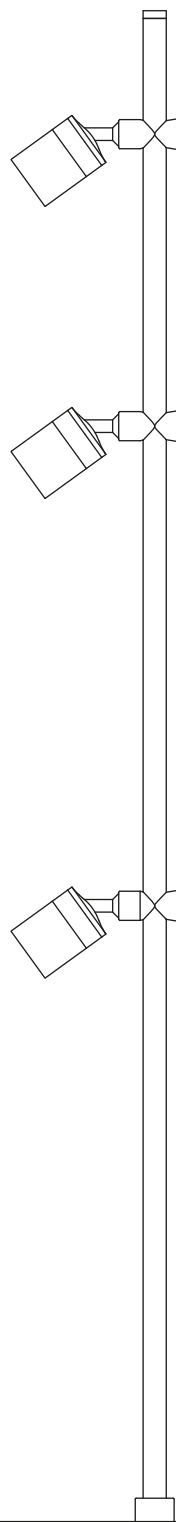


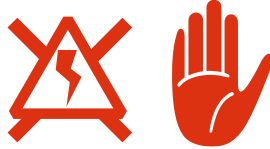
Installation procedures

PIXIS™ CUSTOM

MINI LED SPOT



WARNING!



Make sure the main power is turned off.

Installation types

This document will guide you through installation on different surfaces.

A

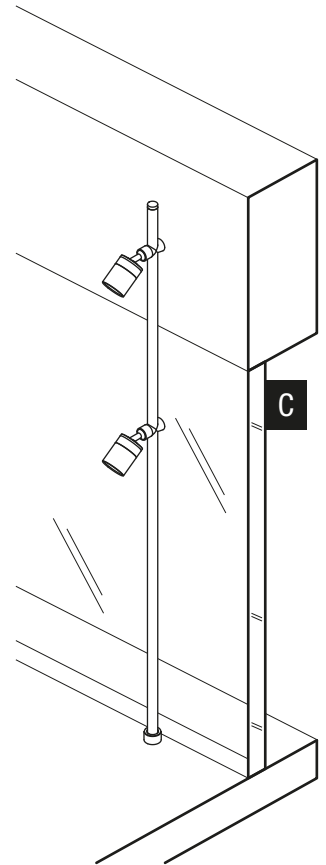
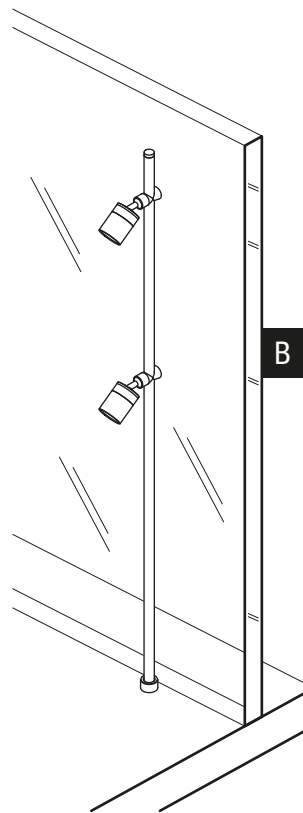
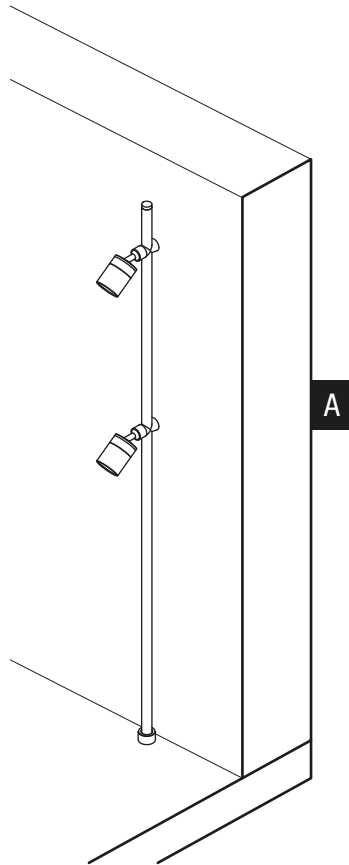
On wooden wall

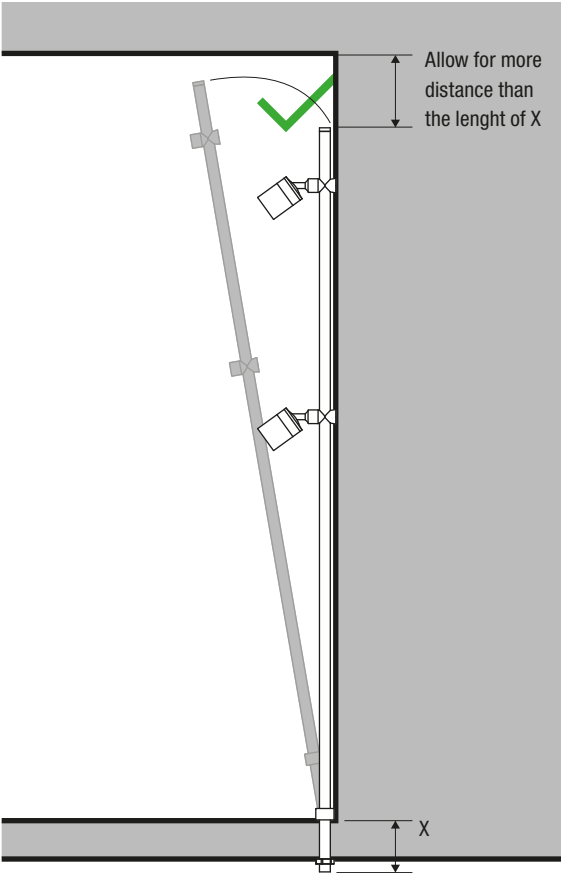
B

On glass or glasslike wall

C

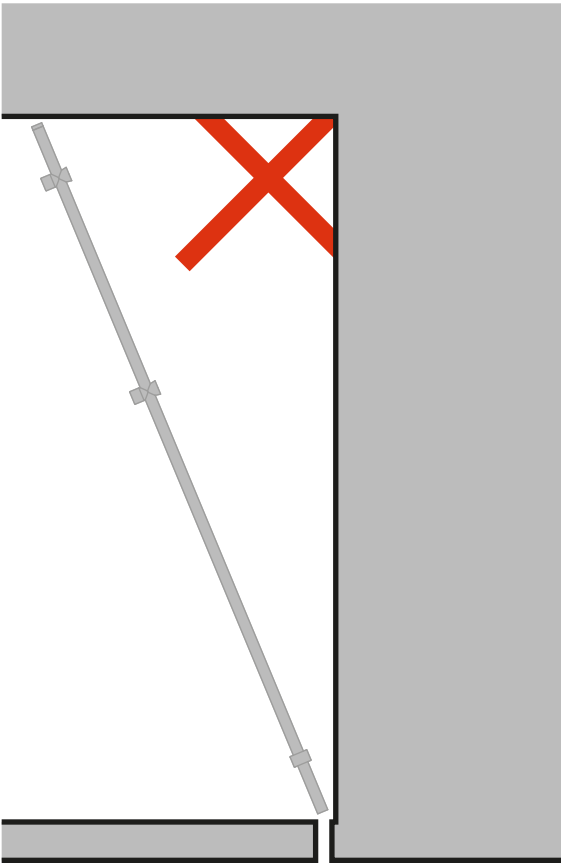
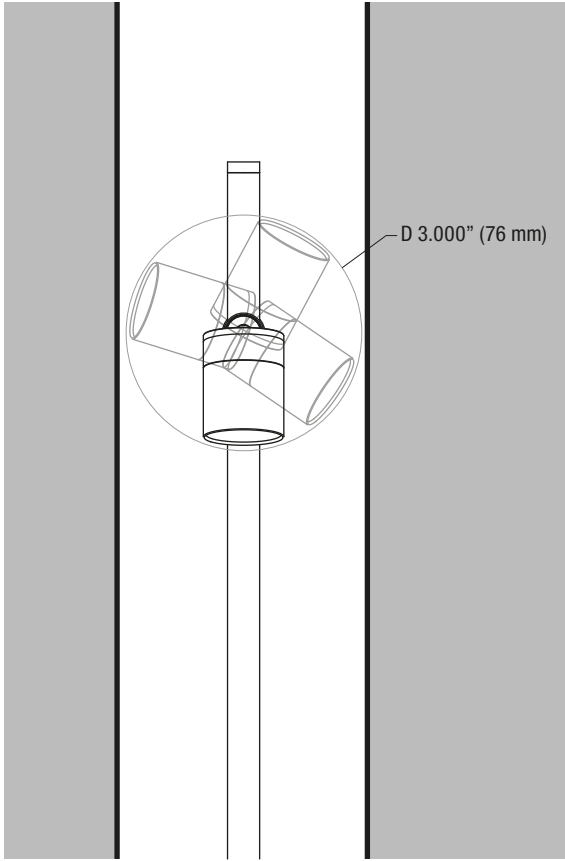
On combined wall

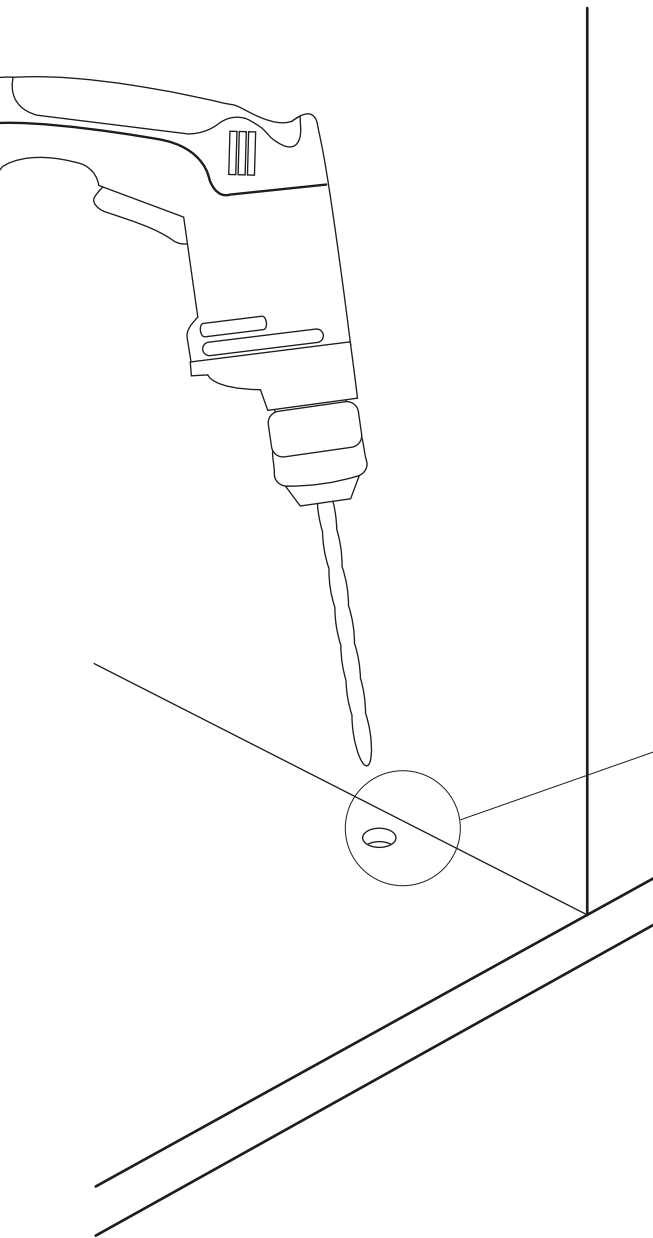




Environment preparation

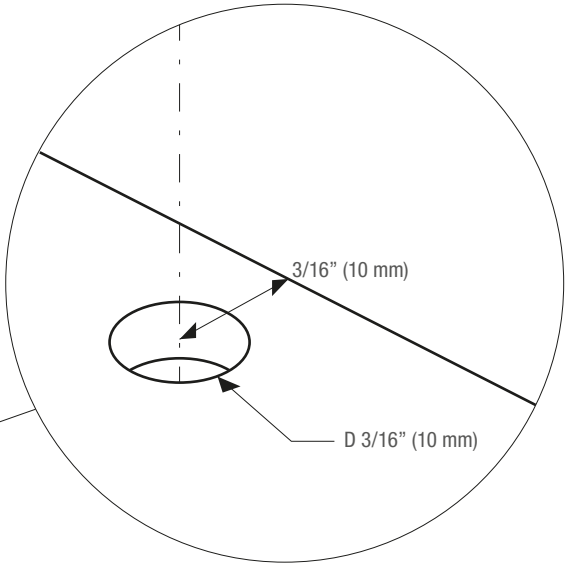
Before proceeding make sure to respect the minimum clearances.





1 ABC

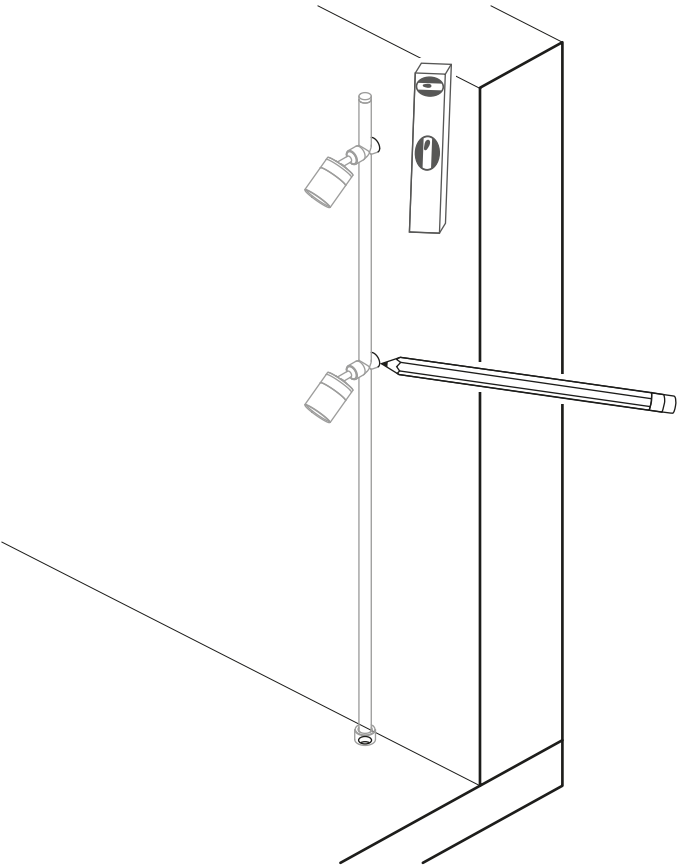
Use a drill to make the installation hole through all the surface.

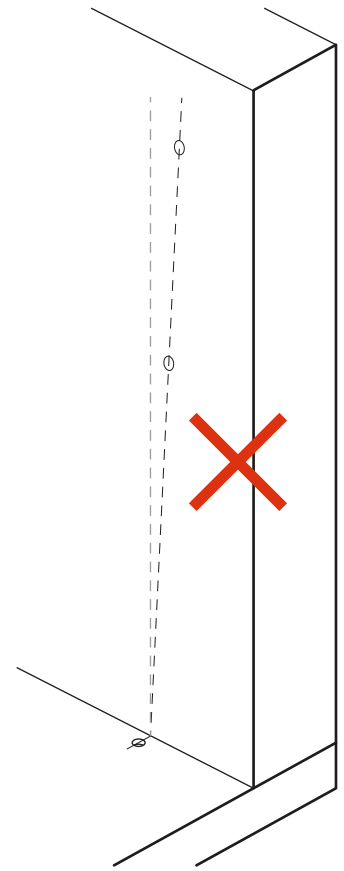
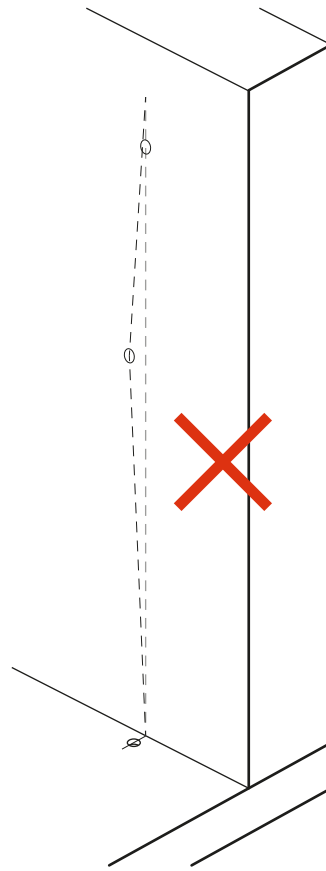
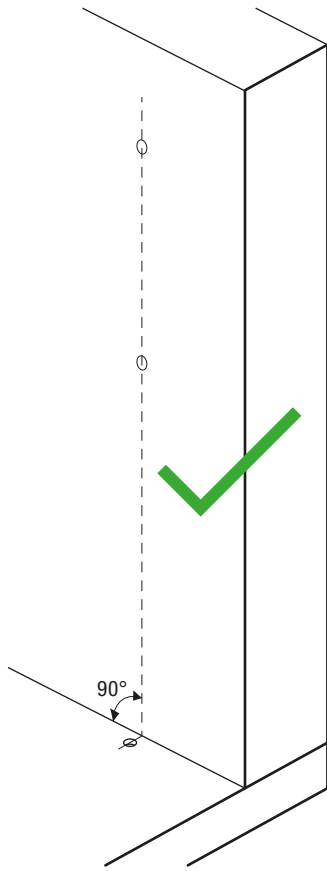


2 ABC

Using a level bubble, mark the mounting clips' position on the wall.

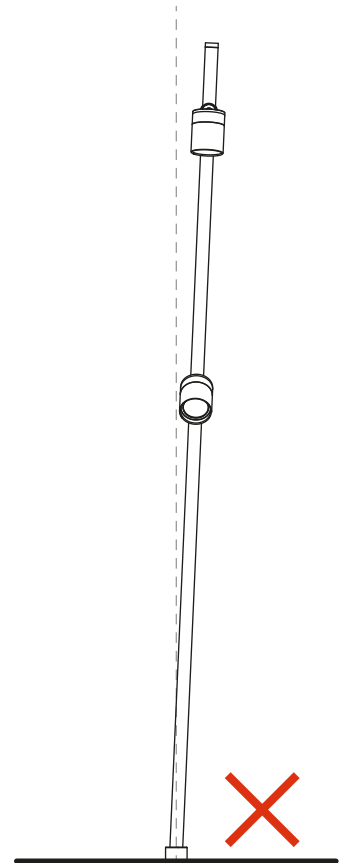
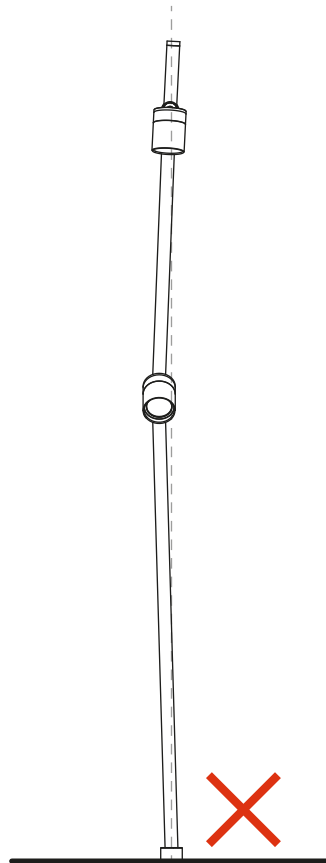
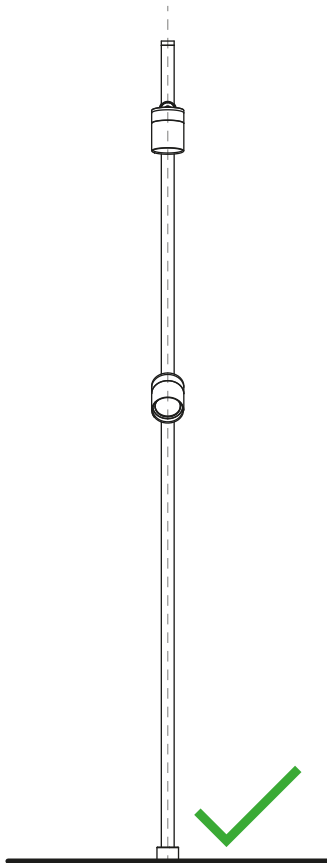
For best aesthetic results, always align mounting clip with PIXIS™ spot arm.





Make sure the marks are vertically aligned

Be careful, an incorrect installation may distort or damage the PIXIS™ stem.



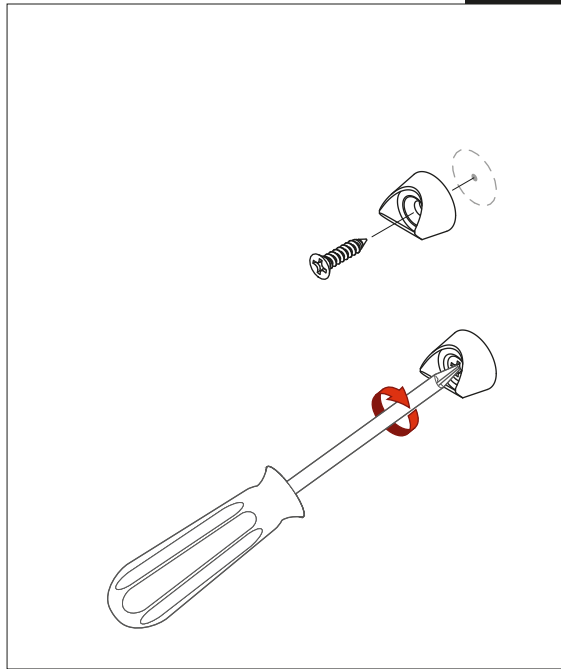
3 AC

3 AC

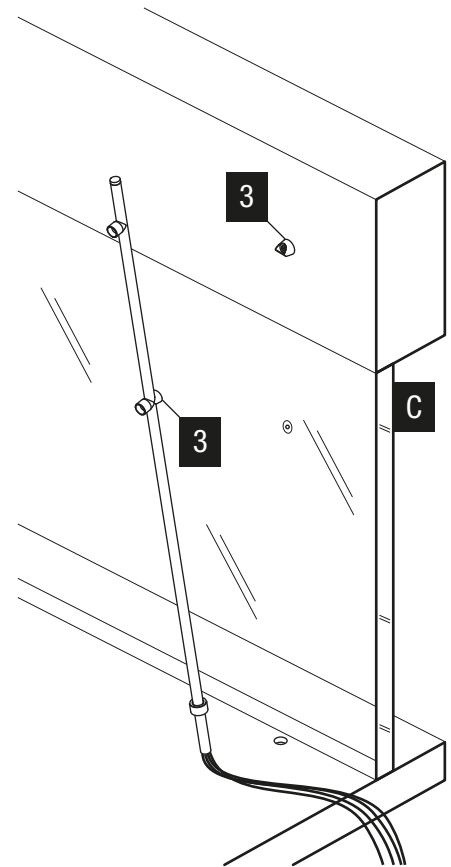
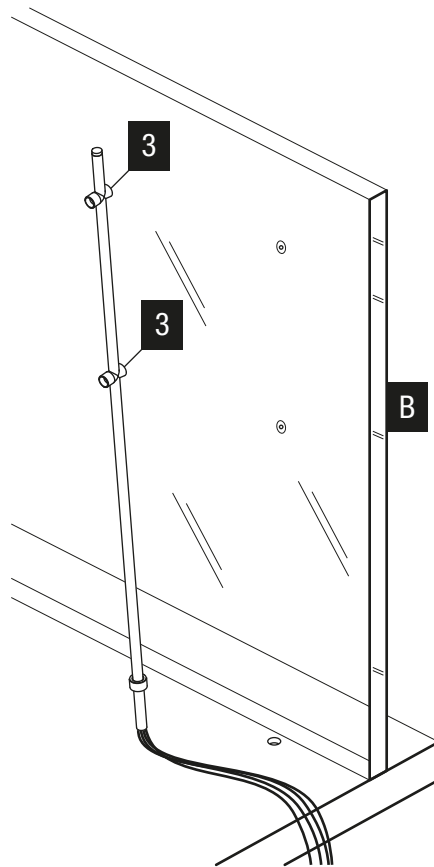
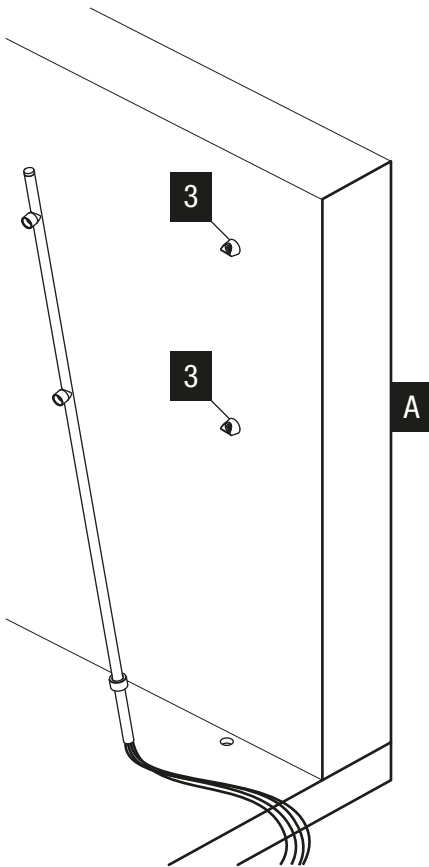
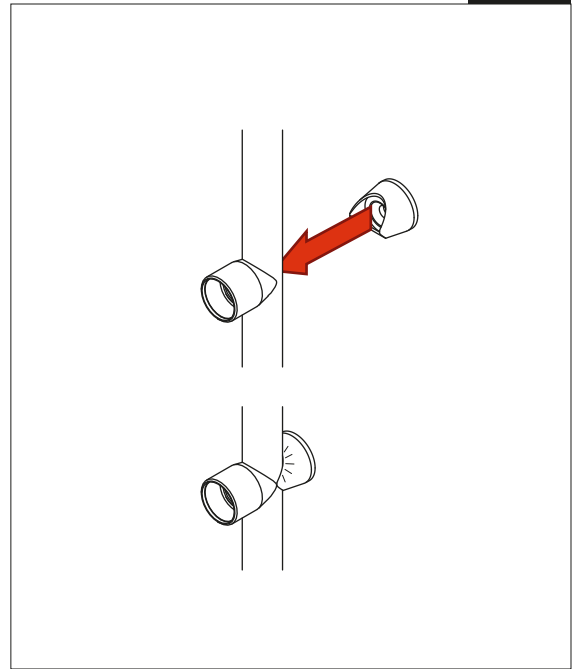
Screw the mounting clip in the positions marked using a #4 screw.

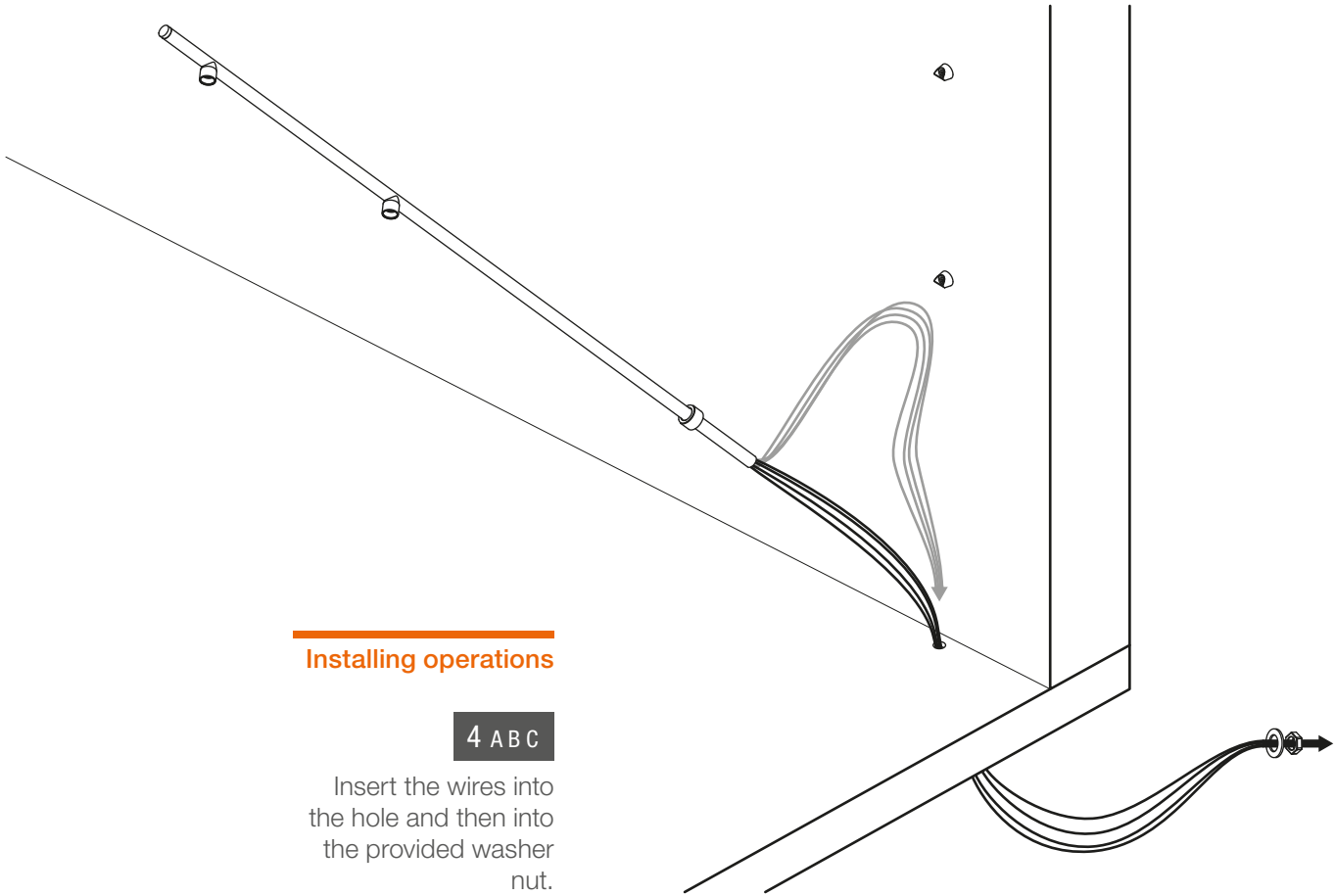
3 BC

Push the sticker clip onto the stem.
Do not remove the sticker protective film yet.



3 BC

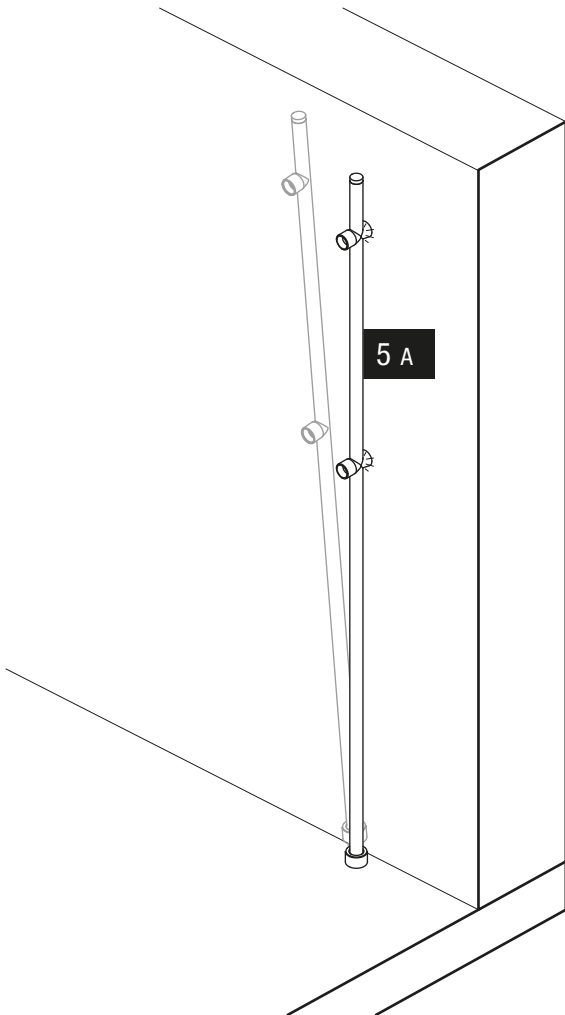




Installing operations

4 ABC

Insert the wires into the hole and then into the provided washer nut.



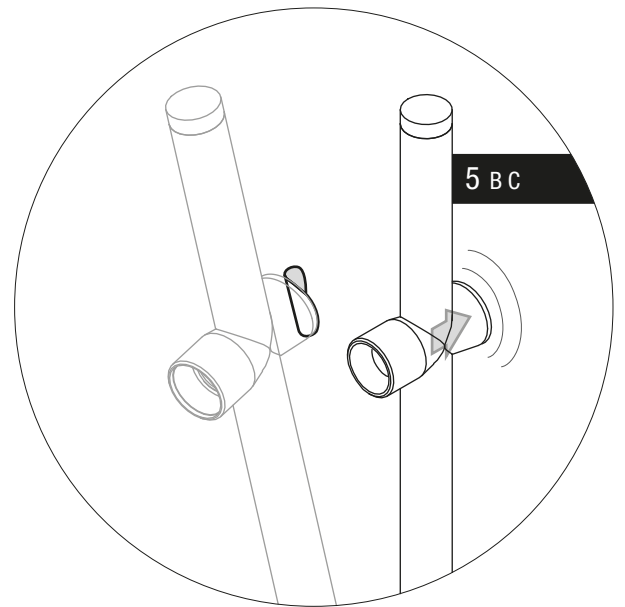
5 A

Place the stem in position, fixing it into the magnetic clips.

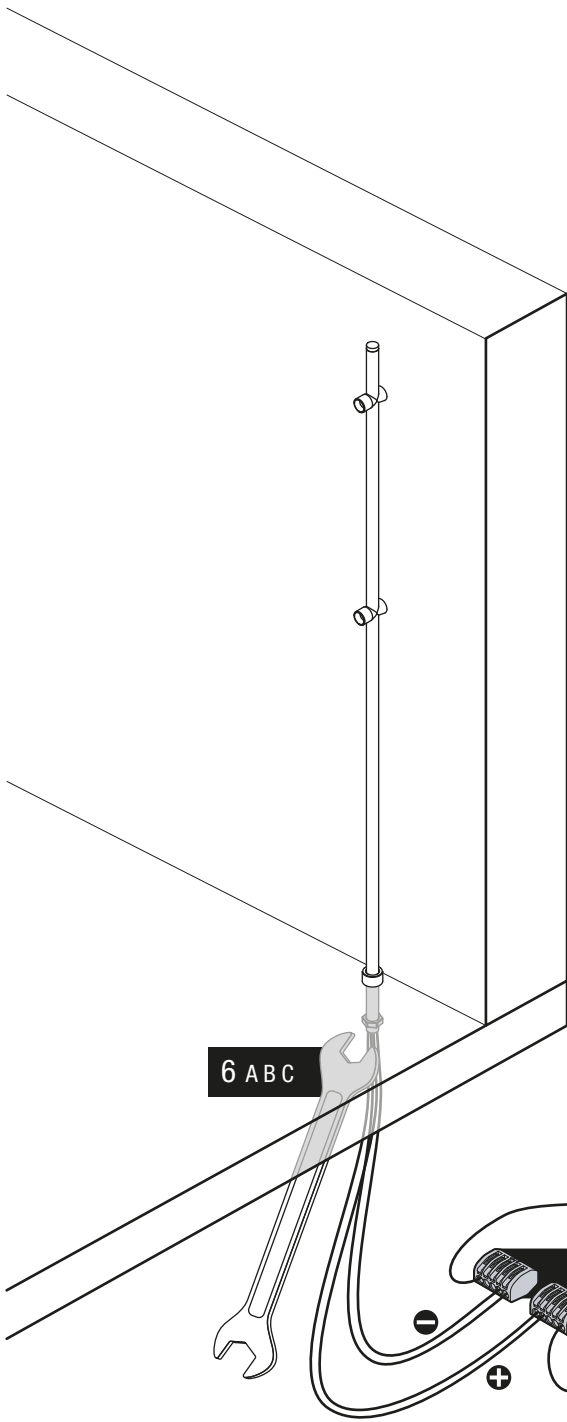
5 A

5 BC

Remove the protective film from sticker clips (if applicable) and press them into position.



5 BC



6 ABC

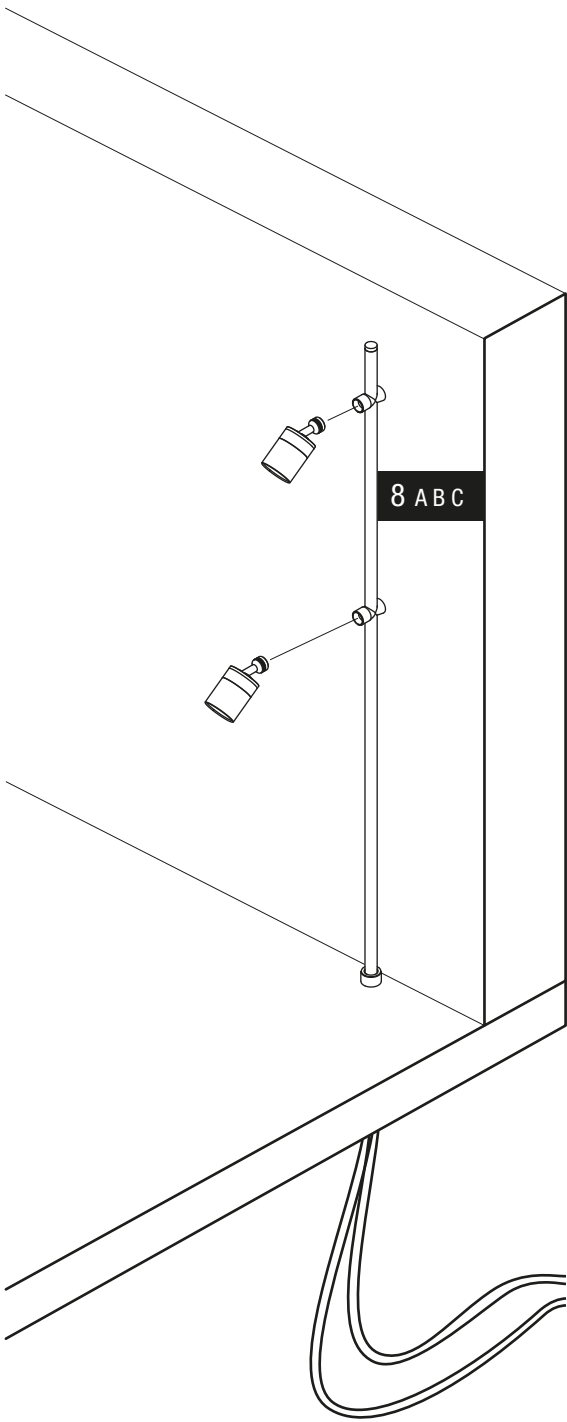
Using a 9/16" wrench, secure the stem into the base.

7 ABC

Connect the wires in parallel (negative with negative, positive with positive).

8 ABC

****Only when the whole system is assembled**** turn the lights on and connect the PIXIS™ heads to the stem.



6 ABC

7 ABC

To power supply.
Use PSB-12-60 or
LM-12-60 for dimming.

EKLIPSE™

ARCHITECTURAL LIGHTING

2090 rue Moreau, Suite 100
H1W 2M3 Montréal QC - Canada
T +1 514 590 0099 / F +1 514 590 0098
sales@eklipselighting.com

www eklipselighting.com

Specifications may vary, without altering or reducing product performance. All information on this document are the sole property of Eclipse™ Architectural Lighting inc.

Reproduction of this document, in whole or in part, without written permission is illegal.