

Specifications sheet

PIXIS™ LIFELINE

Mini LED spot





Characteristics

PIXIS™ is a mini LED spot that uses the latest technology in LED light output performance. It features 3 high powered LED in a very small package that is fully adjustable. Each PIXIS™ head can be fully rotated over 360° horizontally and allows for a 80° pivoting angle. Furthermore, it can be ordered with different mounting options: on a stem, plug and play monopoint or with LIFELINE™ adaptor. PIXIS™ is ideal for application requiring small yet precise lighting solution.



Electrical

Input

24V: 3W.
Dry locations only.
Class 2 input only.

Remote Power Supply

24V: Eklipse™ PSB-24-100.

Dimming Power Supply

24V: Eklipse™ LM-24-100.

Wiring

N/A

Thermal control

Through constant thermal monitoring and current control, Eklipse™ intelligent board technology (IBT) maintains optimal light levels and operating temperature preventing harmful overheating by self adjusting to its environment.

Physical

Construction

High thermal conductive machined aluminium.
Cold roll steel lens holder and arm.

Light engine

High precision machined construction integrated heatsink.
Field changeable snoot and lenses.

Finish

Chrome, brushed chrome, black chrome or anodised black. *

Light

Light source

High power linear LED

Light temperature

2700K, 3000K, 3500K, 4000K, 5000K. *

CRI

85 (typical).

HIGH CRI

95 (typical) available for 2700K and 3000K.

Optics

Interchangeable 18°, 24°, 41°.

Light beam

PIXIS™ head rotates over 360° and can be tilted 80°.



Interior / Dry location only



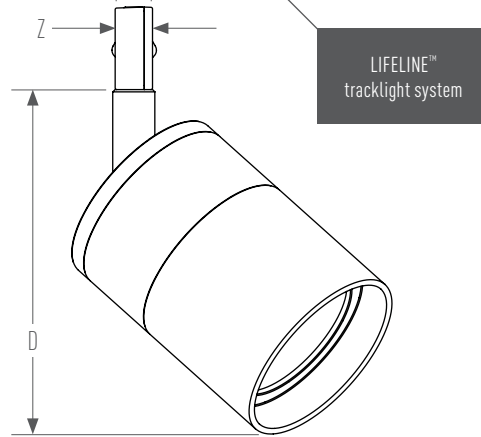
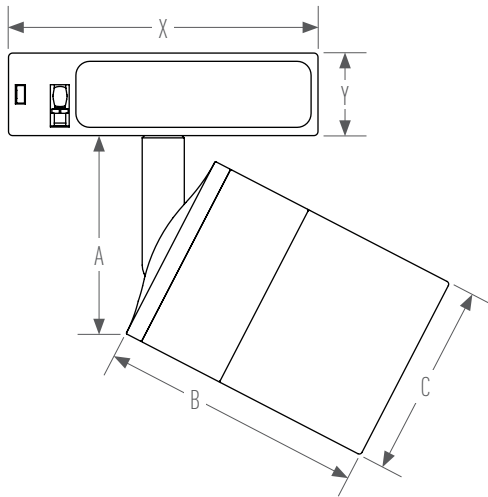
* Available for tailor-made application. Please contact your Eklipse™ representative for further informations.

Dimensions



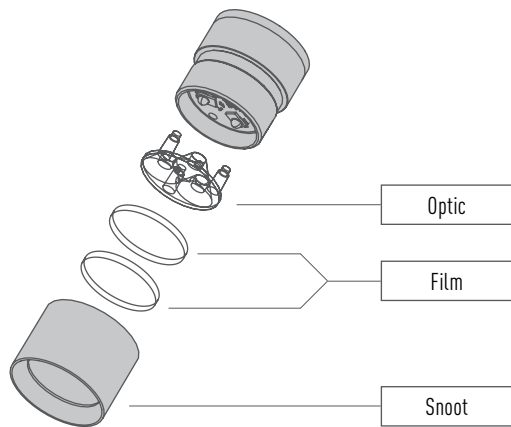
X 1.500" (38 mm)
Y 0.400" (10 mm)
Z 0.180" (5 mm)

A ~ 1.000 in (25 mm)
B 1.265 in (32 mm)
C D 0.940 in (24 mm)
D ~ 1.600 in (40 mm)



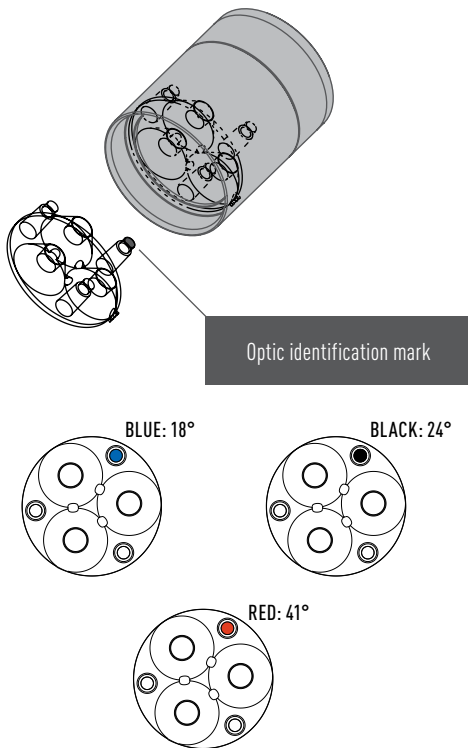
Customization

PIXIS™ can accommodate up to two (2) interchangeable mediums. Three different optical beams are offered as well as a wide range of dichroic filters.



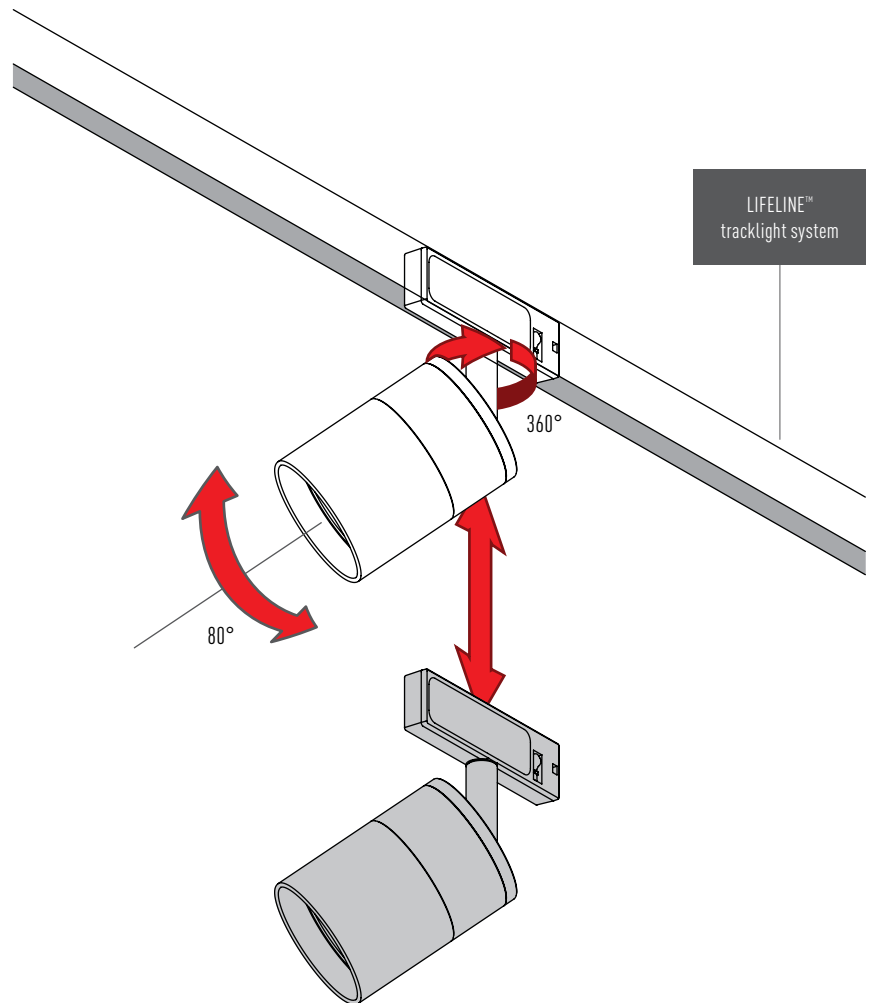
Optics identification

Examine closely the spot indicated to identify the optics.

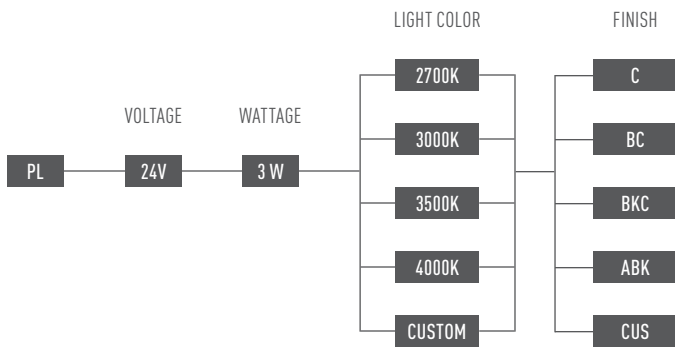


Adjustment

The PIXIS™ LIFELINE can be horizontally rotated a full 360° and can be combined with a 80° angle tilt for maximum light beam control. This particular version of PIXIS™ can be freely plugged/unplugged along all the LIFELINE™ tracklight system.



Ordering code model



- C Chrome
- BC Brushed chrome
- BKC Black chrome
- ABK Anodised black
- CUS Custom finish

Installation Notes



Requires power tools and fastening hardware not included.



Risk of electric shock.

Warranty

Our products and relative parts are guaranteed for **five (5)** years.
See our terms and conditions on www.eclipselighting.com



EKLIPSE
ARCHITECTURAL LIGHTING™

2090 rue Moreau, Suite 100
H1W 2M3 Montréal QC
Canada

T +1 514 590 0099

F +1 514 590 0098

sales@eclipselighting.com

www.eclipselighting.com

EKLIPSE™

ARCHITECTURAL LIGHTING

2090 rue Moreau, Suite 100
H1W 2M3 Montréal QC - Canada
T +1 514 590 0099 / F +1 514 590 0098
sales@eklipseighting.com

www.eklipseighting.com

Specifications may vary, without altering or reducing product performance. All information on this document are the sole property of Eclipse™ Architectural Lighting

inc. Reproduction of this document, in whole or in part, without written permission is illegal.