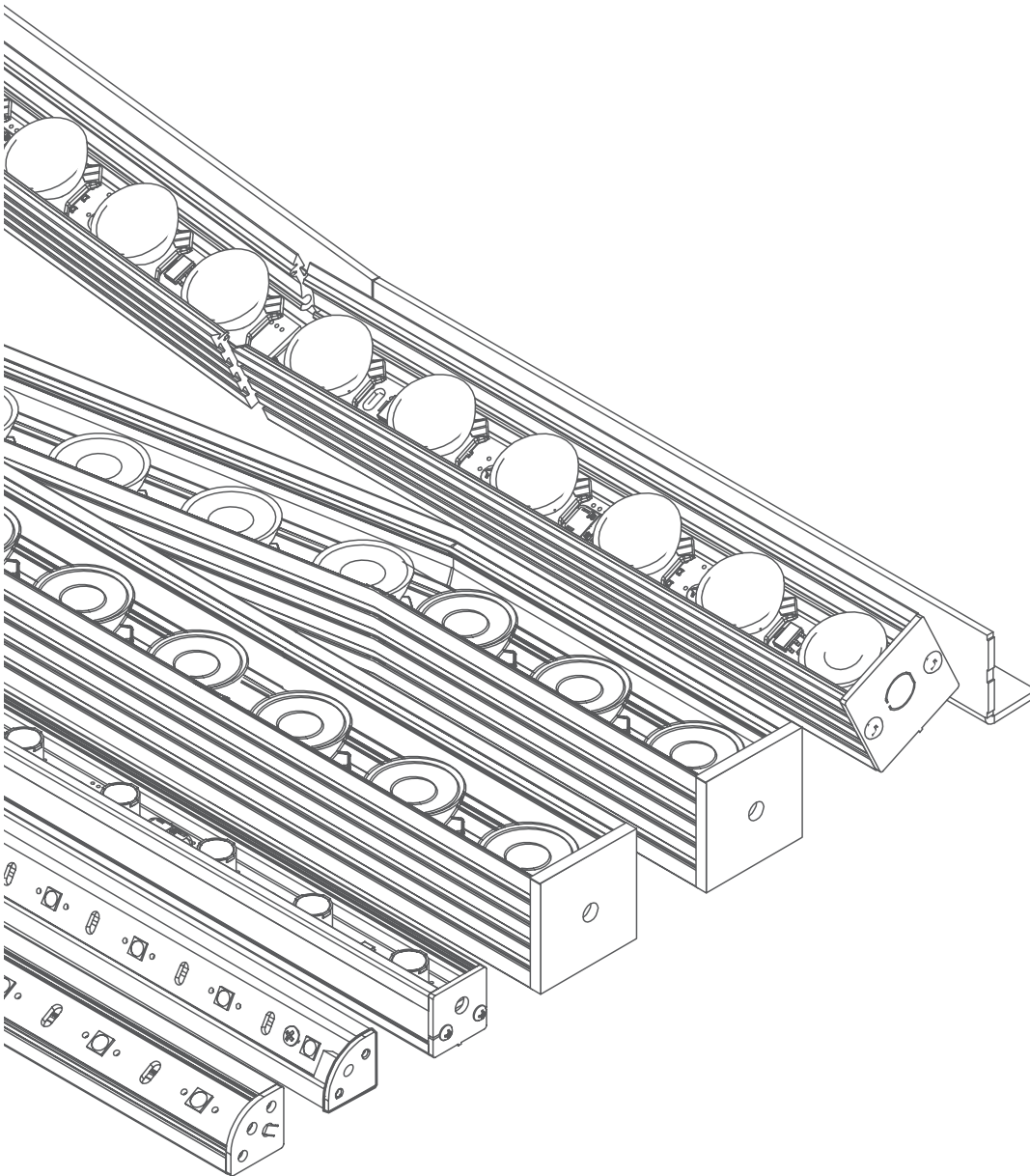


LINEAR SERIES

// LED LINEAR SERIES
// SERIE LINEAIRE DEL



EKLIPSE
ARCHITECTURAL LIGHTING

2090 rue Moreau, Suite 100
Montréal, Qc, H1W 2M3
t. 514.590.0099 | f. 514.590.0098
e. sales@eklipseighting.com
w. www.EklipseLighting.com

SPECIFICATIONS MAY VARY, WITHOUT ALTERING OR REDUCING PRODUCT PERFORMANCE. ALL INFORMATION ON THIS DOCUMENT ARE THE SOLE PROPERTY OF EKLIPSE. REPRODUCTION OF THIS DOCUMENT, IN WHOLE OR IN PART, WITHOUT WRITTEN PERMISSION IS ILLEGAL.// LES SPÉCIFICATIONS PEUVENT DIFFÉRER SANS PRÉAVIS SANS RÉDUIRE LA PERFORMANCE DU PRODUIT. LES INFORMATIONS CONTENUES DANS CE DOCUMENT SONT LA PROPRIÉTÉ DE EKLIPSE. TOUTE REPRODUCTION PARTIELLE OU TOTALE SANS L'AUTORISATION ÉCRITE EST INTERDITE.

LINEAR SERIES

// LED LINEAR SERIES

BEFORE YOU START /



12 VOLTS
15 VOLTS
24 VOLTS
?

WARNING

Before installing your lighting system, make sure that the Main Power Line is off.

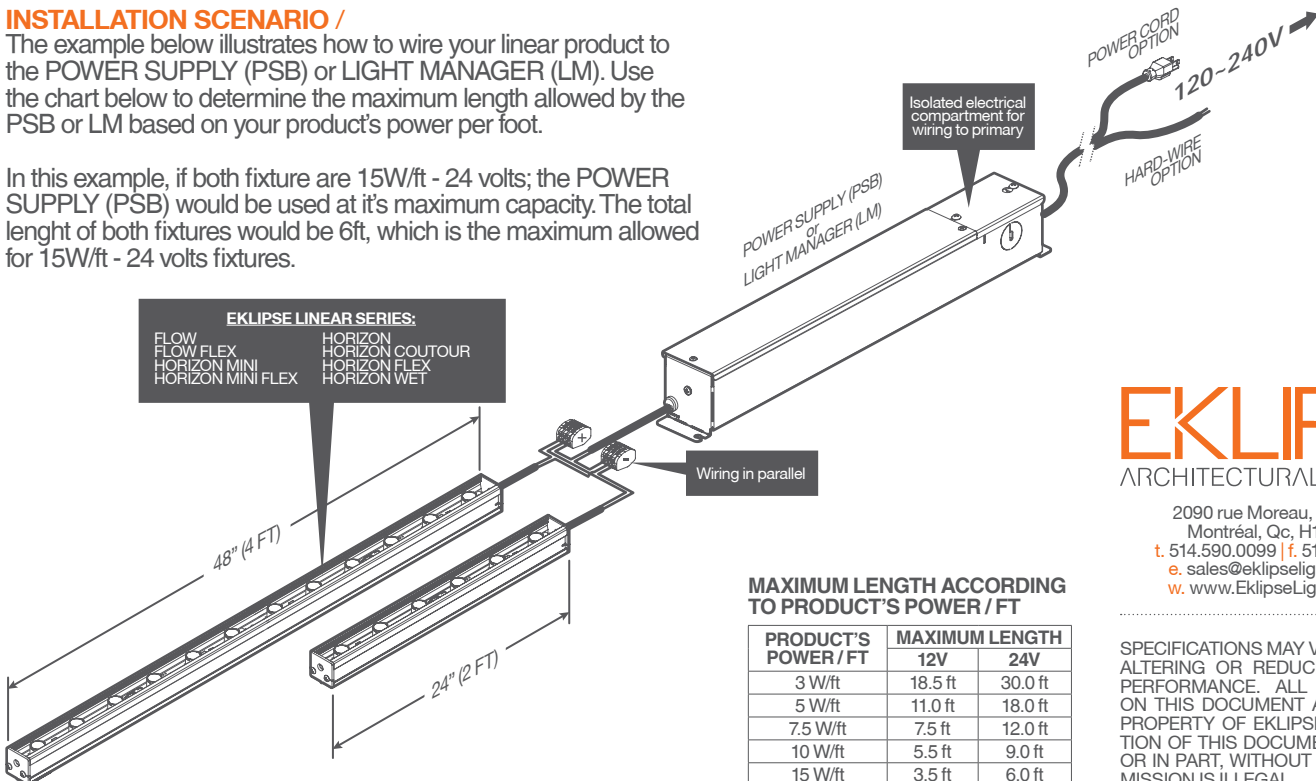
KNOW YOUR PRODUCT

Verify that you have the appropriate Power Supply for your product.

INSTALLATION SCENARIO /

The example below illustrates how to wire your linear product to the POWER SUPPLY (PSB) or LIGHT MANAGER (LM). Use the chart below to determine the maximum length allowed by the PSB or LM based on your product's power per foot.

In this example, if both fixtures are 15W/ft - 24 volts; the POWER SUPPLY (PSB) would be used at its maximum capacity. The total length of both fixtures would be 6ft, which is the maximum allowed for 15W/ft - 24 volts fixtures.



MAXIMUM LENGTH ACCORDING TO PRODUCT'S POWER / FT

| PRODUCT'S POWER / FT | MAXIMUM LENGTH | |
|----------------------|----------------|---------|
| | 12V | 24V |
| 3 W/ft | 18.5 ft | 30.0 ft |
| 5 W/ft | 11.0 ft | 18.0 ft |
| 7.5 W/ft | 7.5 ft | 12.0 ft |
| 10 W/ft | 5.5 ft | 9.0 ft |
| 15 W/ft | 3.5 ft | 6.0 ft |

EKLIPSE

ARCHITECTURAL LIGHTING

2090 rue Moreau, Suite 100
 Montréal, Qc, H1W 2M3
 t. 514.590.0099 | f. 514.590.0098
 e. sales@eklipseighting.com
 w. www.EklipseLighting.com

SPECIFICATIONS MAY VARY, WITHOUT ALTERING OR REDUCING PRODUCT PERFORMANCE. ALL INFORMATION ON THIS DOCUMENT ARE THE SOLE PROPERTY OF EKLIPSE. REPRODUCTION OF THIS DOCUMENT, IN WHOLE OR IN PART, WITHOUT WRITTEN PERMISSION IS ILLEGAL.