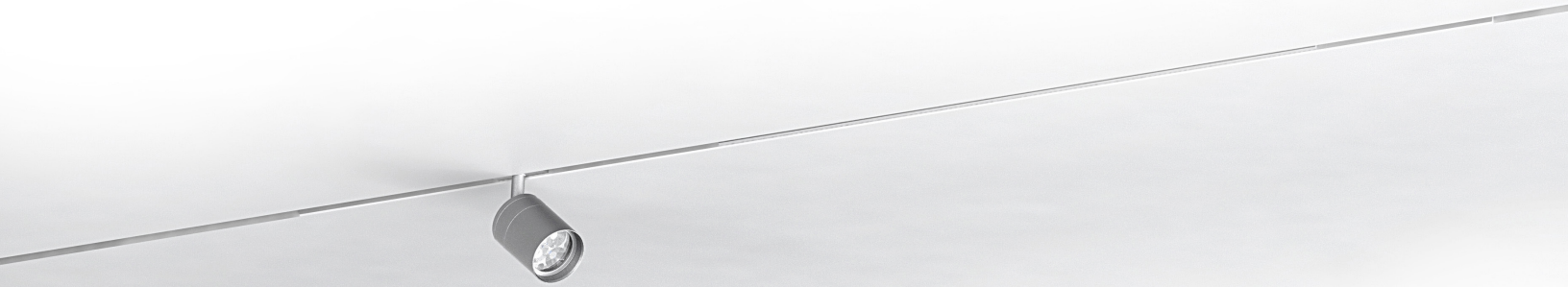


Specifications sheet

# LIFELINE®

Tracklight system



**EKLIPSE™**  
ARCHITECTURAL LIGHTING

## Characteristics

LIFELINE® is a refined, discreet, track system that can accommodate multiple specially designed lighting fixtures.

Versatile, with ease of use, LIFELINE® encompasses near invisible integration, ingenious connectivity, and simplified installation.

## Electrical

### Input

Max load: 85W per run with Eklipse provided power supplies.

### Remote Power Supply

24V: Eklipse™ PSB-24-100.

### Dimming Power Supply

24V: Eklipse™ LM-24-100.

### Wiring

48" length (1.2 m) - 20 AWG wire lead with WAGO quick connector. \*

## Physical

### Construction

High precision thin walled aluminium extrusion.

Copper conductor.

Thin steel strip.

### Application

Integrated metal strip allows for quick and easy magnetic installation of mating lighting products.

Product can then slide freely all along the LIFELINE® system for unrestricted positioning.

### Finish

Anodized clear.

Anodized black. \*



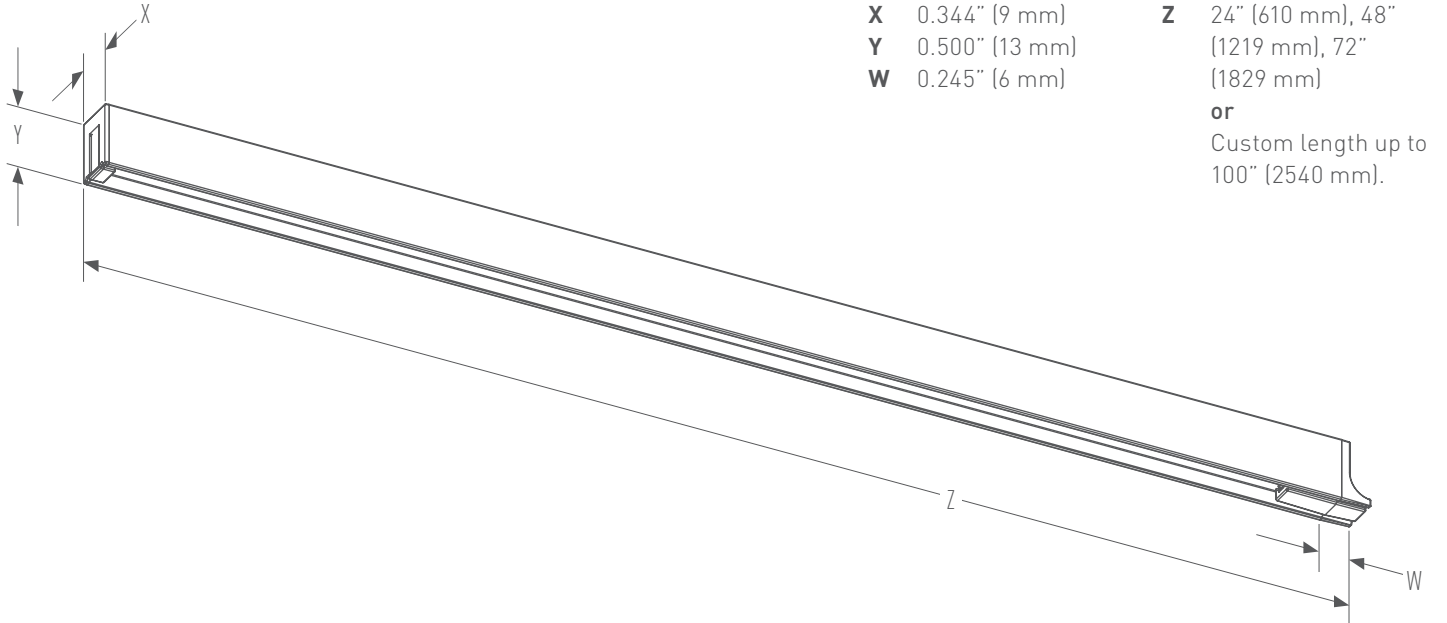
Interior / Dry location only



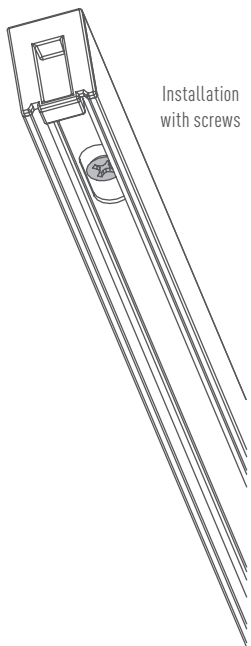
Supports PIXIS™ MILI®

\* Available for tailor-made application. Please contact your Eklipse™ representative for further informations.

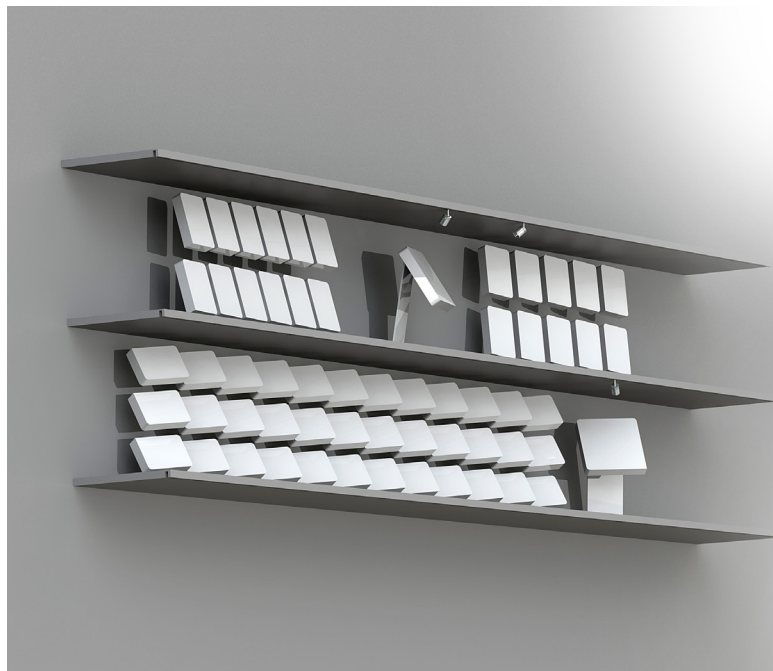
## Dimensions



## Installation



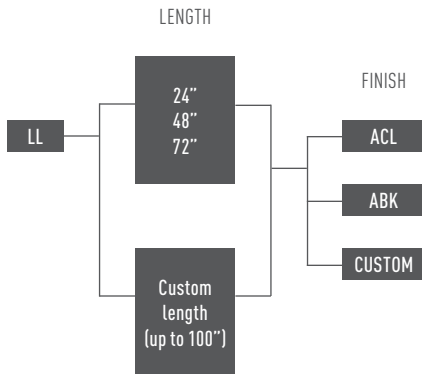
## Design concept



## Millwork integration

LIFELINE® can be integrated horizontally, vertically and inclined surfaces.

## Ordering code model



## Installation Notes



Requires power tools and fastening hardware not included.



Risk of electric shock.

## Warranty

Our products and relative parts are guaranteed for **five (5)** years.

See our terms and conditions on [www.eclipselighting.com](http://www.eclipselighting.com)



**EKLIPSE**<sup>™</sup>  
ARCHITECTURAL LIGHTING

2090 rue Moreau, Suite 100  
H1W 2M3 Montréal QC  
Canada

**T** +1 514 590 0099

**F** +1 514 590 0098

[sales@eclipselighting.com](mailto:sales@eclipselighting.com)

[www.eclipselighting.com](http://www.eclipselighting.com)

# EKLIPSE™

ARCHITECTURAL LIGHTING

2090 rue Moreau, Suite 100  
H1W 2M3 Montréal QC - Canada  
T +1 514 590 0099 / F +1 514 590 0098  
sales@eklipseighting.com

[www.eklipseighting.com](http://www.eklipseighting.com)

Specifications may vary, without altering or reducing product performance. All information on this document are the sole property of Eclipse™ Architectural Lighting

inc. Reproduction of this document, in whole or in part, without written permission is illegal.