

Specifications sheet

PIXIS™

Mini spotlight



EKLIPSE
ARCHITECTURAL LIGHTING

PIXIS Plug and Play



PIXIS Stem



Characteristics

The PIXIS™ is a mini LED spot that uses the latest technology in LED light output performance. It features 3 high powered LED in a very small package that is fully adjustable. Each PIXIS™ head can be fully rotated horizontally and allows for a 80° pivoting angle. Furthermore, it can be ordered with different mounting options: on a stem or with a plug and play connector. The PIXIS™ is ideal for application requiring small yet precise lighting solution.

Electrical

Power output

12V: 3.5W/head.
Dry location only.
Class 2

Remote Power Supply

12V: *CONSTANT VOLTAGE*
ERP JVLM 60W

Dimming Power Supply

12V: *CONSTANT VOLTAGE*
Eclipse™ LM-12-60.

Wiring

Each PIXIS™ head comes equipped with 24 AWG wire. *

Thermal control

Through constant thermal monitoring and current control, Eclipse™ intelligent board technology (IBT) maintains optimal light levels and operating temperature preventing harmful overheating by self adjusting to its environment.

Physical

Construction

Aluminium body.
Steel mounting ^(PIXIS PLUG AND PLAY).
Aluminium stem ^(PIXIS STEM).

Finish *

Anodized black (ABK)
Anodized clear (ACL) ^(PIXIS STEM)
Matt white (MW) ^(PIXIS PLUG AND PLAY)
Time worn brass (TWB)
Polished brass (PB)
Brushed brass (BB)
Polished chrome (PC)
Brushed chrome (BC)
Polished gold (PG)
Brushed gold (BG)
Polished Black Nickel (PBKN)

Operating temperature

The temperature should be measured at 3 inches from the light source.



0° ~ 40°

Standards compliance

Approved RoHS, CSA/UL and CE.



Light

Light source

High power LEDs

Light temperature

2200K ⁽⁸⁰⁾, 2400K ⁽⁸⁰⁾,
2700K ⁽⁸⁰⁻⁹⁰⁾, 3000K ⁽⁸⁰⁻⁹⁰⁾,
3500K ⁽⁸⁰⁾, 4000K ⁽⁸⁰⁾.

CRI

80 (minimum),
90 (minimum).

Optics

Interchangeable 18°,
24°, 41°.

Light orientation

PIXIS head rotates over
360° and can be tilted
80°.



Interior / Dry
location only



Cabinet

IP20

CLASS 2
PRODUCT

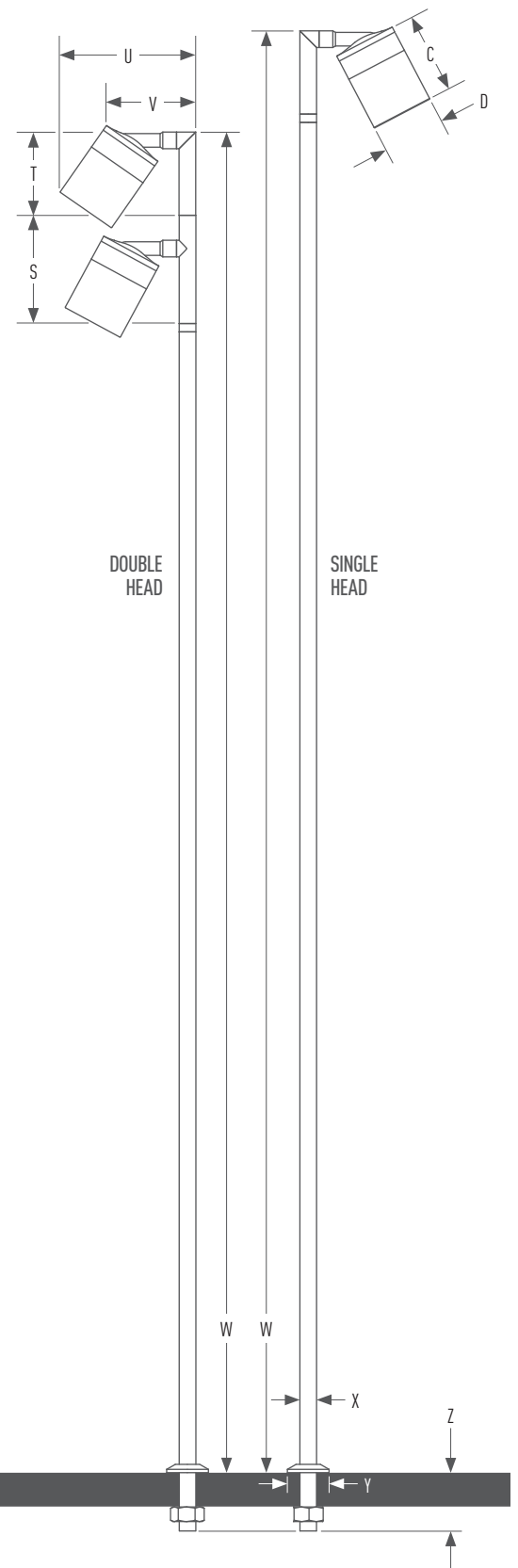
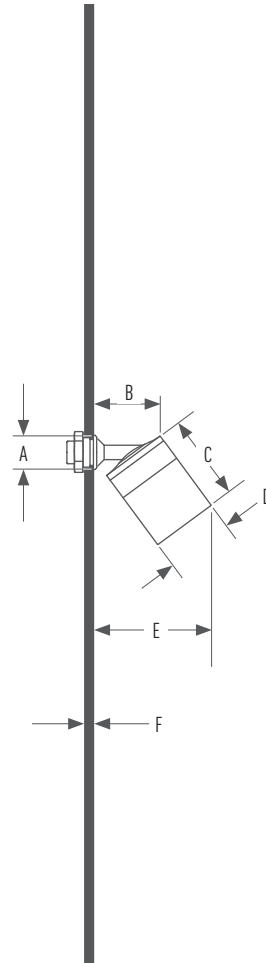
12V - 60W MAX

* Available for tailor-made application. Please contact your Eclipse™ representative for further information.

Dimensions

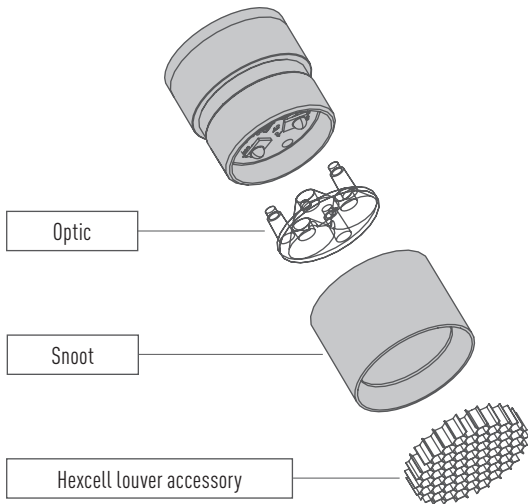
- A** \varnothing 0.625 in (15.9 mm)
B ~ 1.000 in (25.4 mm)
C 1.215 in (30.9 mm)
D \varnothing 0.954 in (24.2 mm)
E ~ 1.600 in (40.6 mm)
F Maximum 0.200 in (5.1 mm)

S 1.625 in (41.2 mm)
T 1.250 in (31.8 mm)
U ~ 2.000 in (50.8 mm)
V ~ 1.400 in (35.6 mm)
W Tailored length - 6 in (152.4 mm) to 18 in (457.2 mm)
X \varnothing 0.250 in (6.4 mm)
Y \varnothing 0.625 in (15.9 mm)
Z 0.875 in (22.2 mm)



Customization

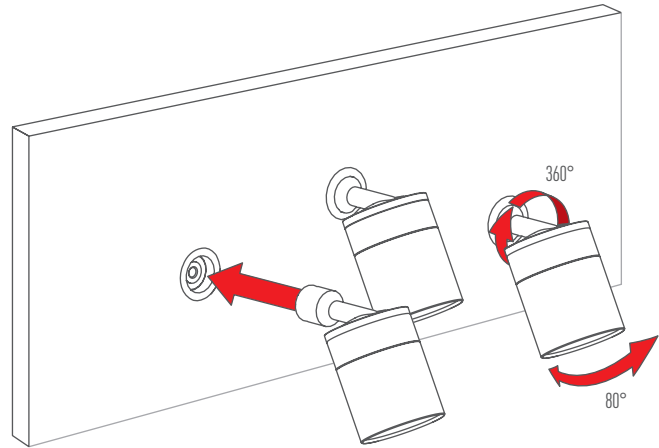
PIXIS can accommodate interchangeable optics as well as an additional hexcell louver accessory.



Light adjustments

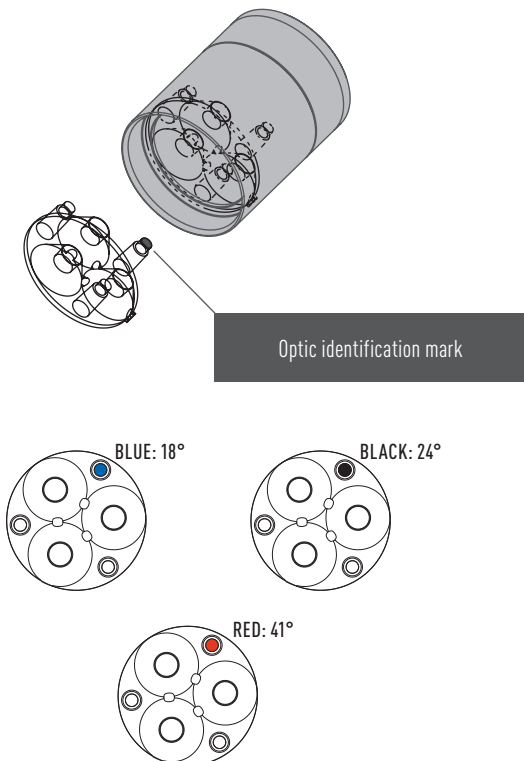
The PIXIS™ head can be horizontally rotated a full 360° and can be combined with a 80° angle tilt for maximum light beam control. If combined with a STEM, PIXIS™ head can rotate vertically 360°.

PIXIS Plug and Play

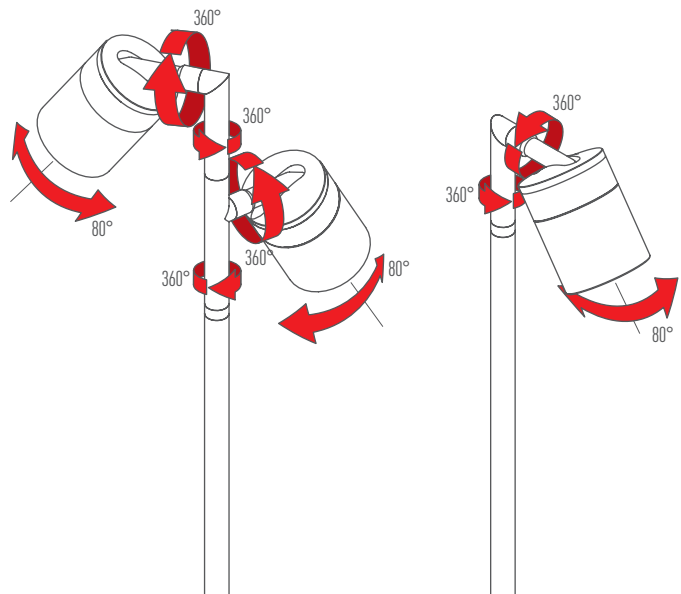


Optics identification

To identify the optics examine closely the spot indicated.

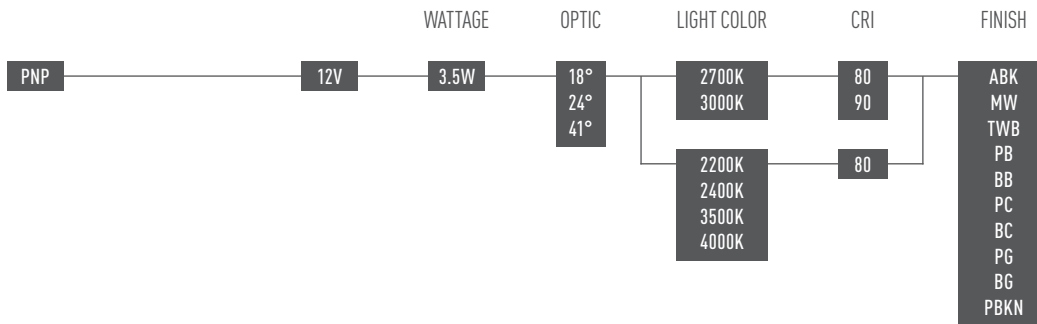


PIXIS Stem

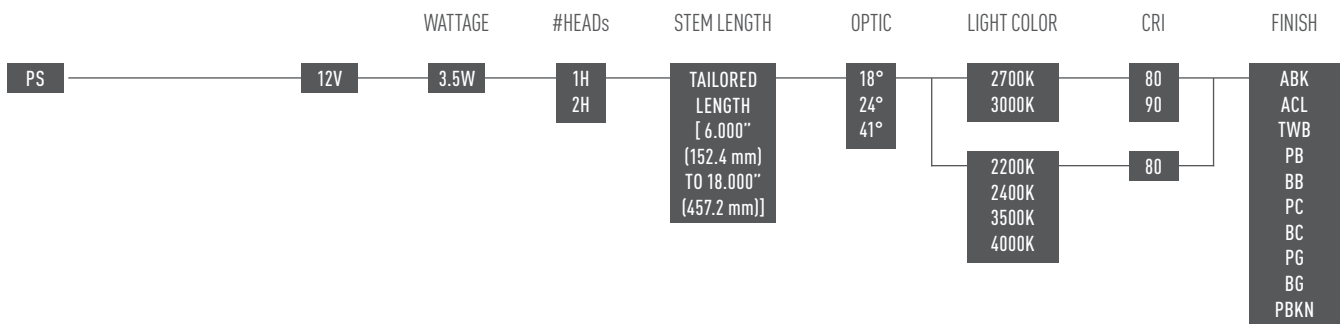


Ordering code model

PIXIS Plug and Play



PIXIS Stem



Warranty

Our products and relative parts are guaranteed for **three (3)** years.

See our terms and conditions on www.eclipselighting.com





EKLIPSE

ARCHITECTURAL LIGHTING

Specifications may vary, without altering or reducing product performance.

All information on this document are the sole property of Eclipse™ Architectural Lighting inc. Reproduction of this document, in

whole or in part, without written permission is illegal.

2090 rue Moreau
Suite 100
Montréal, QC - H1W 2M3
Canada

T +1 514 590 0099
F +1 514 590 0098
INT 1 877 590 0098

sales@eklipselighting.com
www.eklipselighting.com