

Specifications sheet

PROXI™

Micro linear luminaire



PROXI™ is the latest addition to our award winning small form linear LED family. PROXI™ was designed to offer outstanding light performance and distribution in an almost invisible millwork detail.



Electrical

Input

Available in 4W/ft and 6W/ft.

Remote Power Supply without dimming

24V: *CONSTANT VOLTAGE*

Eclipse™ PSB-24-100

LUTRON - US

ELDOLED - Europe

MAGTECH

Remote Power Supply with dimming

24V: *CONSTANT VOLTAGE*

Eclipse™ LM-24-100.

Dimming PWM 0-10V

Wiring

48" length (1.2 m) - 20 AWG wire lead with WAGO quick connector. *

Thermal control

Through constant thermal monitoring and current control, Eclipse™ intelligent board technology (IBT) maintains optimal light levels and operating temperature preventing harmful overheating by self adjusting to its environment.

Operating temperature

The temperature should be measured at 3 inches from the light source.



Physical

Construction

High precision thin walled aluminium extrusion.

Adjustment

Magnetic insert allows a quick and easy installation on metal strip (provided).

Finish

Anodized clear.

Light

Light source

Medium power LED.

Light temperature

2700K, 3000K, 3500K, 4000K, 5000K, 5700K, 6500K. *

CRI

80 (typical).

Film

Integrated frosted film.

Lumen output

390 lm / ft

65 lm / W

Light resolution

High resolution



Uniform light appearance.

Interior / Dry location only

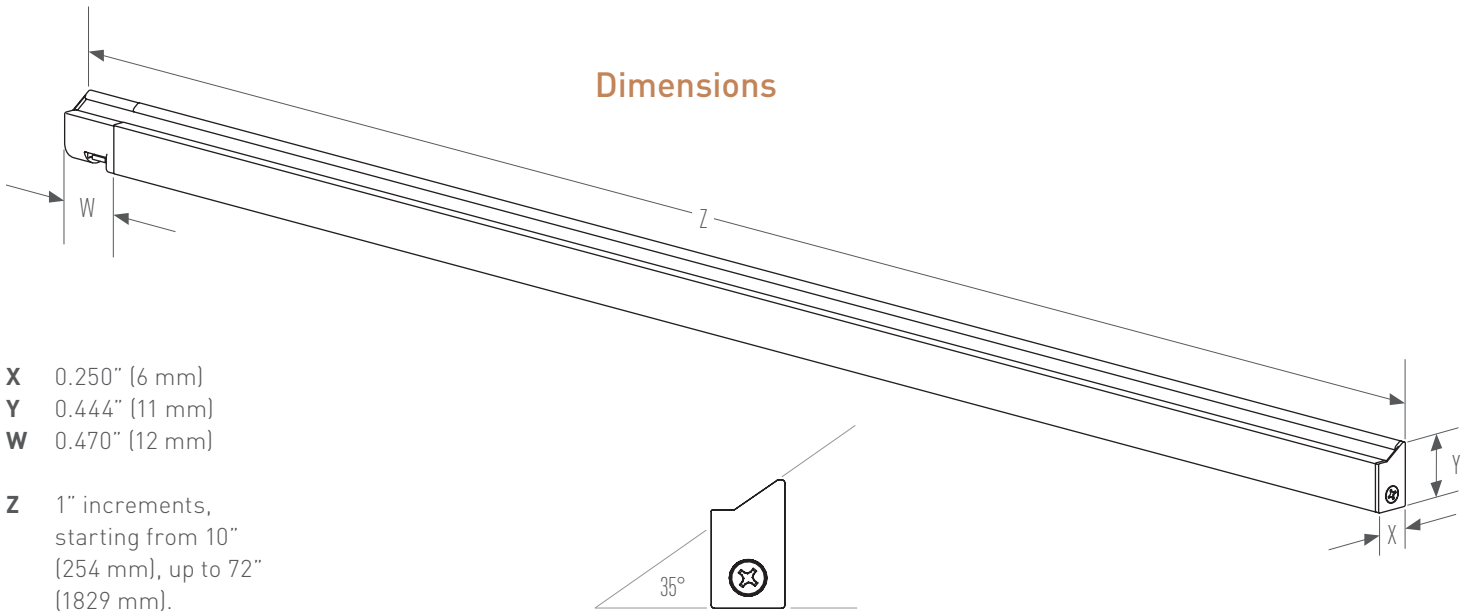


CLASS 2
PRODUCT

24V - 100W MAX

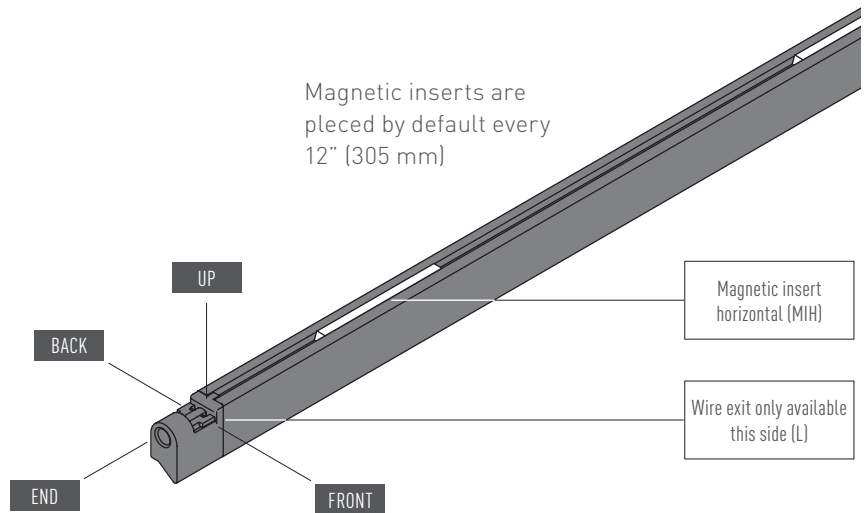
* Available for tailor-made application. Please contact your Eclipse™ representative for further informations.

Dimensions



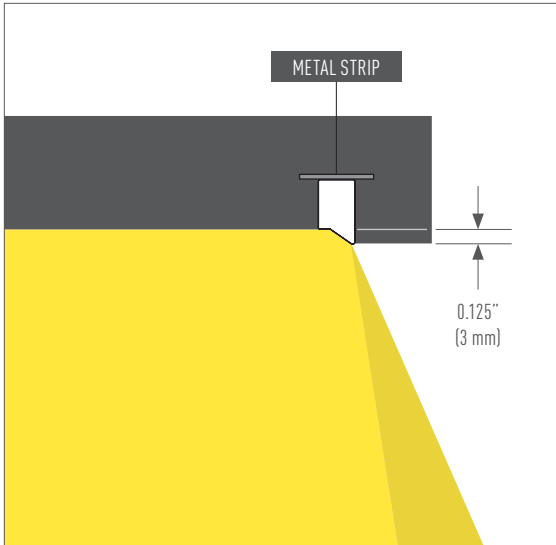
- X** 0.250" (6 mm)
- Y** 0.444" (11 mm)
- W** 0.470" (12 mm)
- Z** 1" increments, starting from 10" (254 mm), up to 72" (1829 mm).

Mounting options



Design concept

Shelf lighting

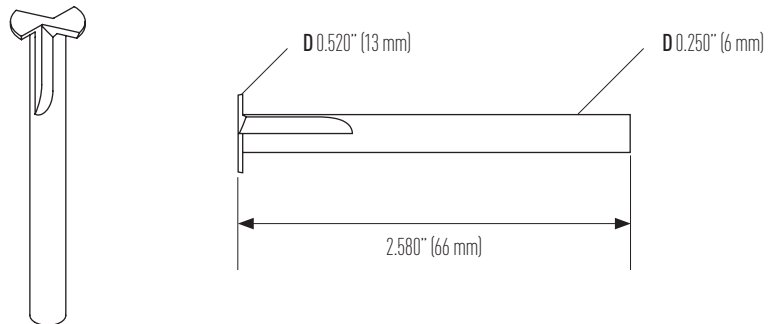


Optimized light distribution

PROXI™, with its miniaturized dimensions is imperceptible once integrated in the shelf. It illuminates homogeneously the display spaces to the very top, without projecting any shadow.

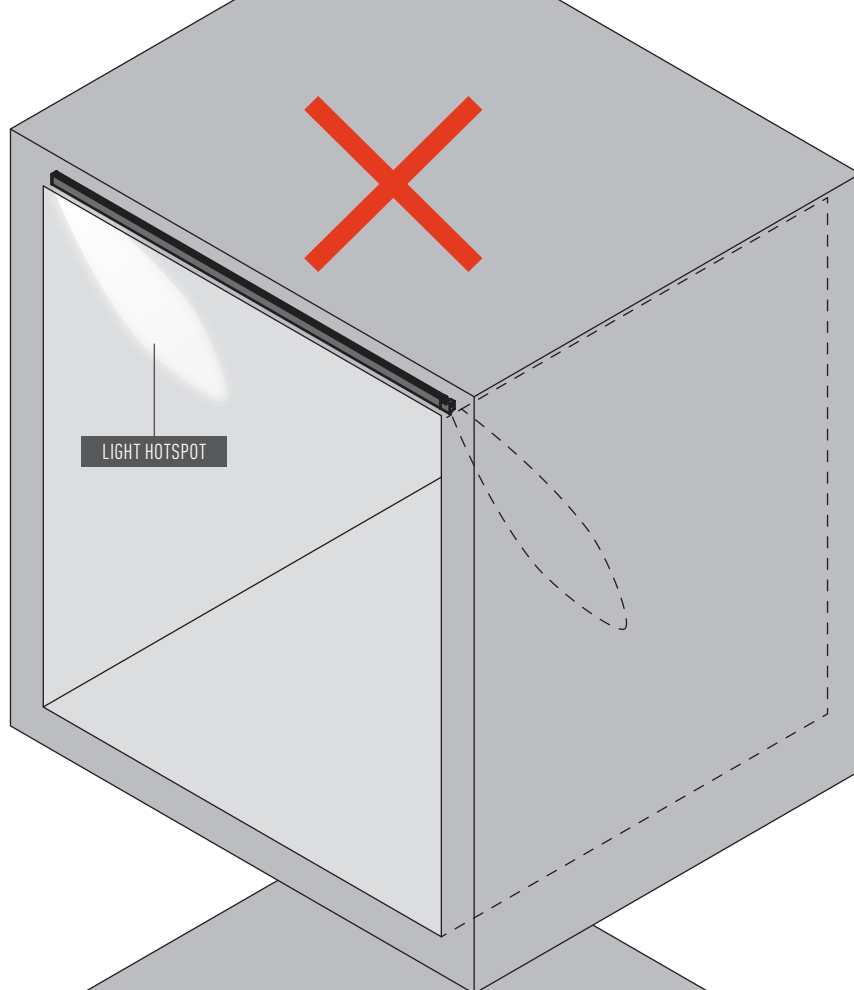
Setup information

A special cutting tool (sold separately) is required in order to create the housing into the shelf for the PROXI™ installation.

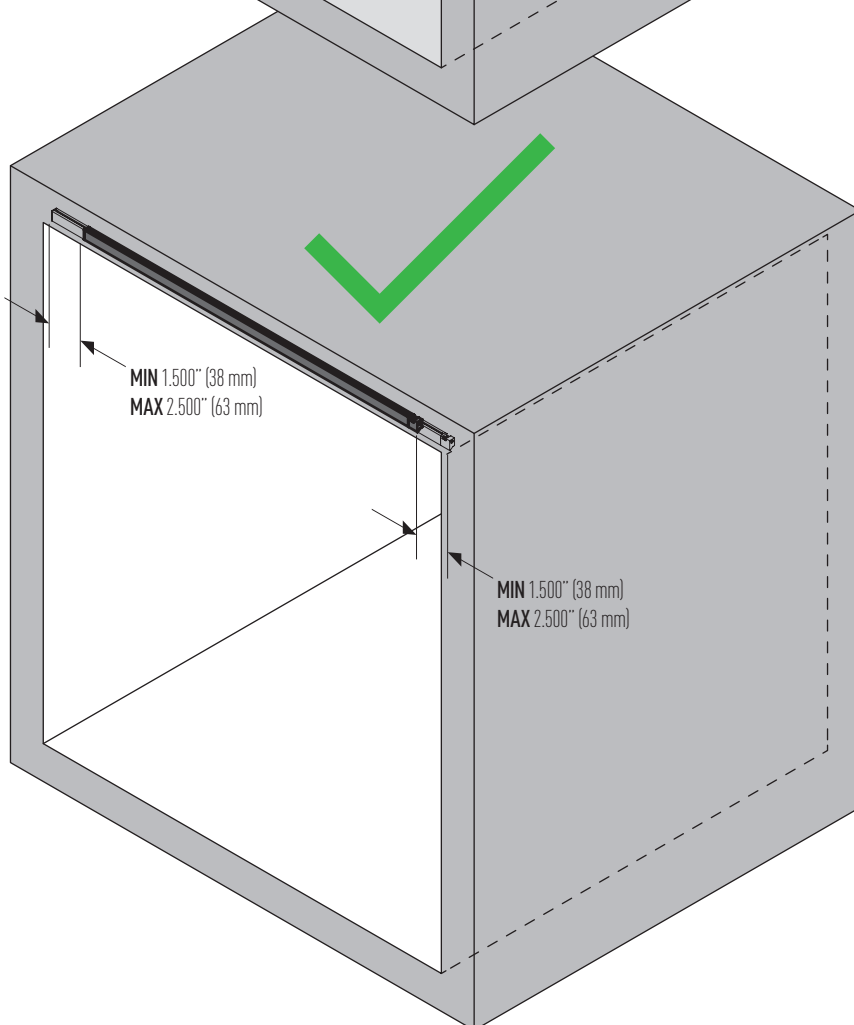


Installation notes

In order to avoid visible light hotspot on the sides, we recommend a minimum of **1.500" (38 mm)** distance between the luminaire extremities and the vertical surface.

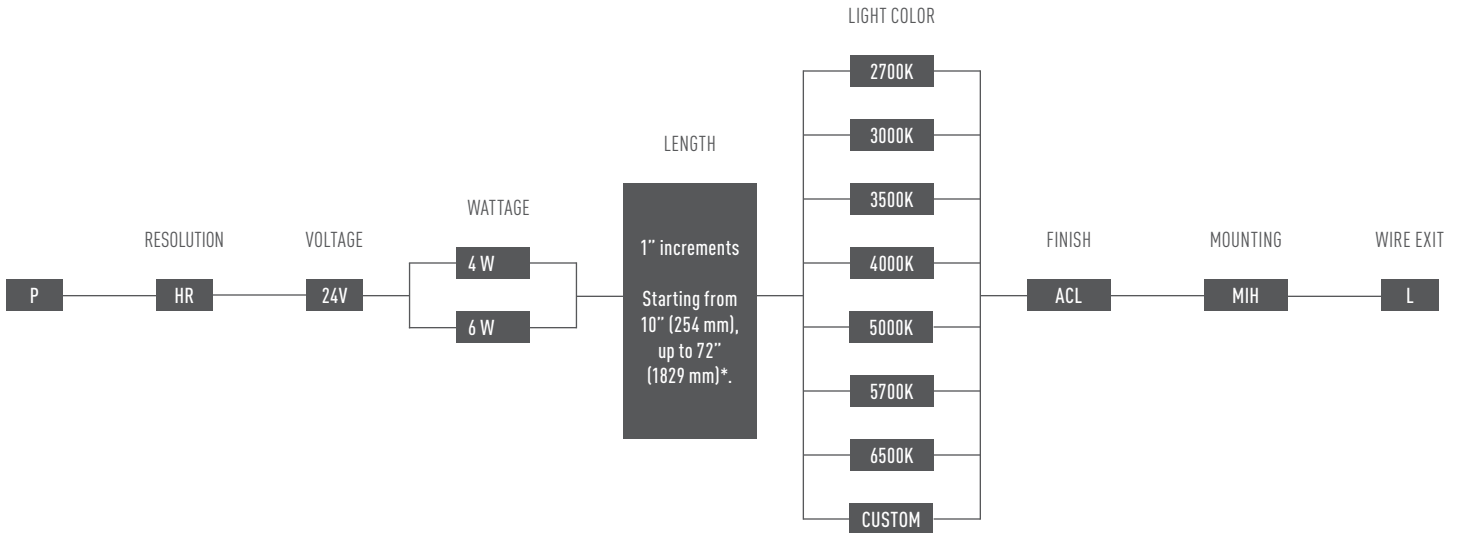


Consider a distance of **2.000" (63 mm)** to have a perfect an even light blending on all the surfaces.



Ordering code template

HR High resolution
 ACL Anodized clear
 MIH Magnetic insert



* For shorter length please call an Eclipse representative.

Requires power tools and fastening hardware not included.



Risk of electric shock.



Warranty

Our products and relative parts are guaranteed for **five (5)** years. See our terms and conditions on www.eclipselighting.com



EKLIPSE
 ARCHITECTURAL LIGHTING

2090 rue Moreau, Suite 100
 H1W 2M3 Montréal QC
 Canada
T +1 514 590 0099
F +1 514 590 0098
sales@eclipselighting.com
www.eclipselighting.com

EKLIPSE™

ARCHITECTURAL LIGHTING

2090 rue Moreau, Suite 100
H1W 2M3 Montréal QC - Canada
T +1 514 590 0099 / F +1 514 590 0098
sales@eklipselighting.com

www eklipselighting.com

Specifications may vary, without altering or reducing product performance. All information on this document are the sole property of Eklipse™ Architectural Lighting

inc. Reproduction of this document, in whole or in part, without written permission is illegal.