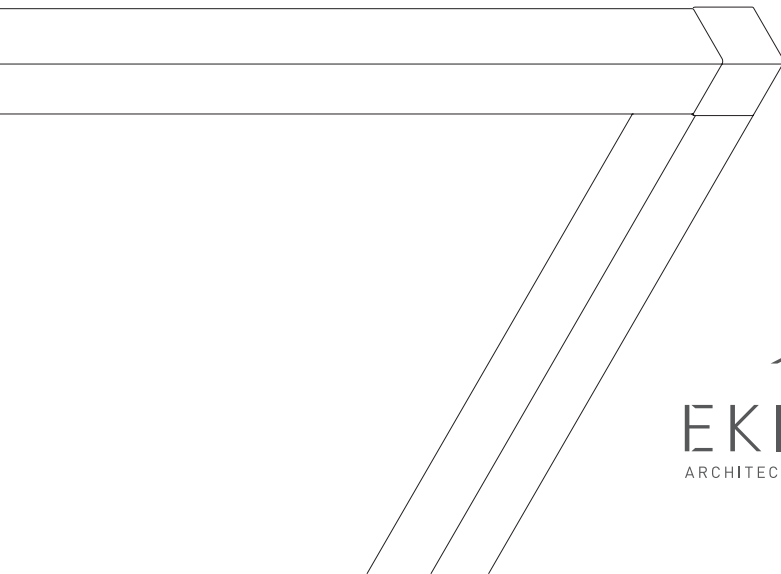
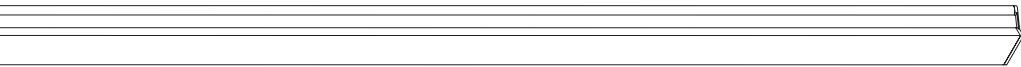
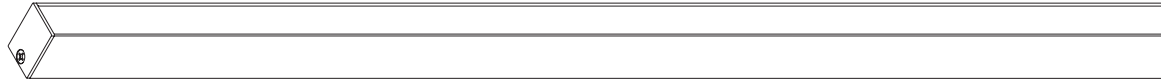
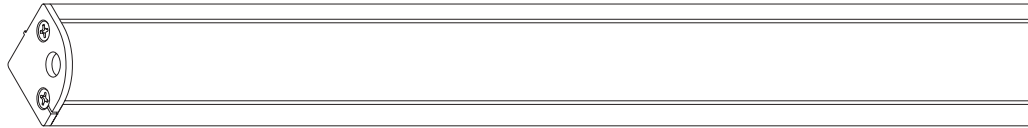
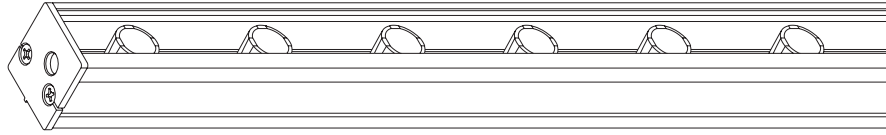
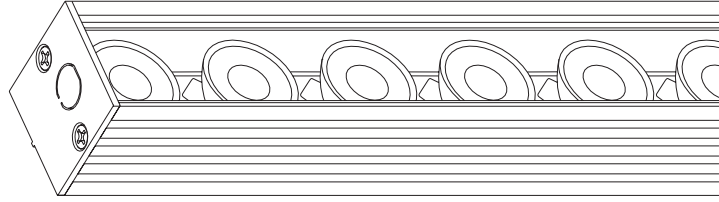


Wire exit guide

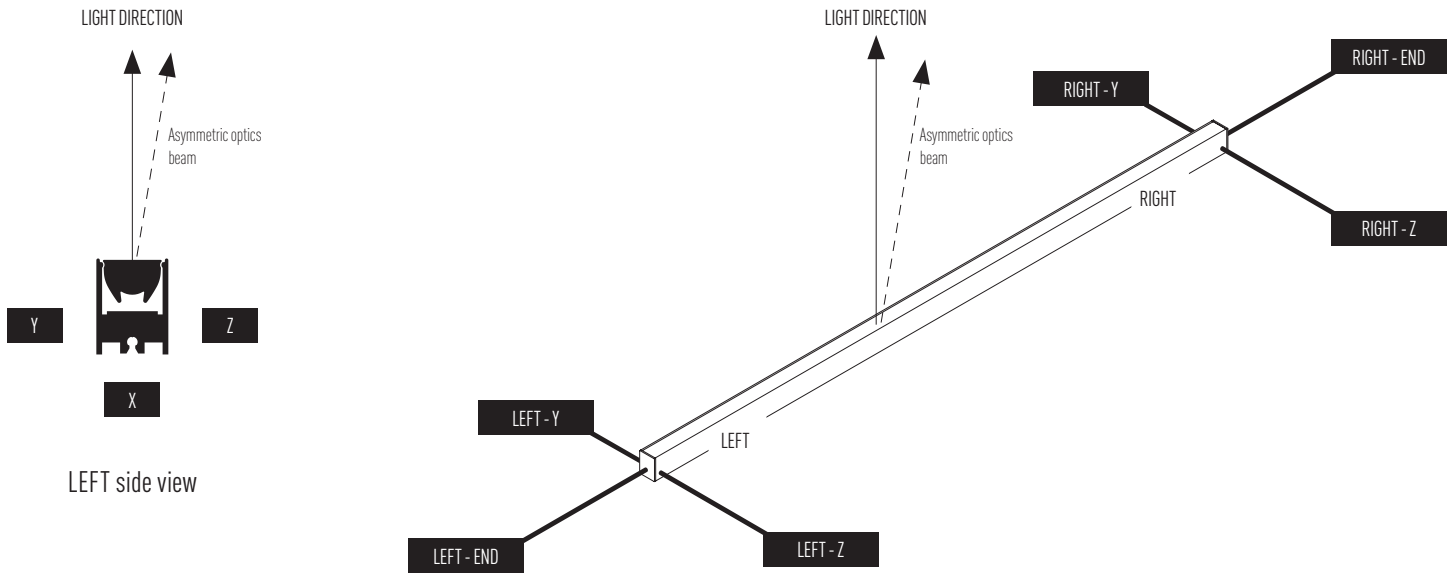
# Linear series

Luminaire wiring

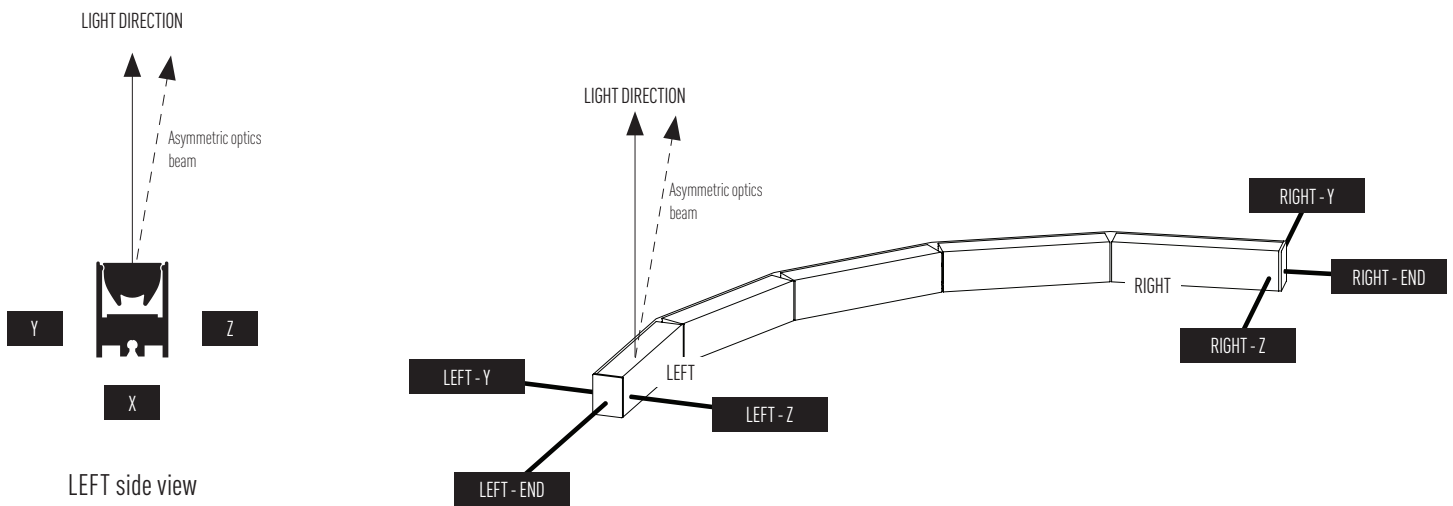


**EKLIPSE**  
ARCHITECTURAL LIGHTING

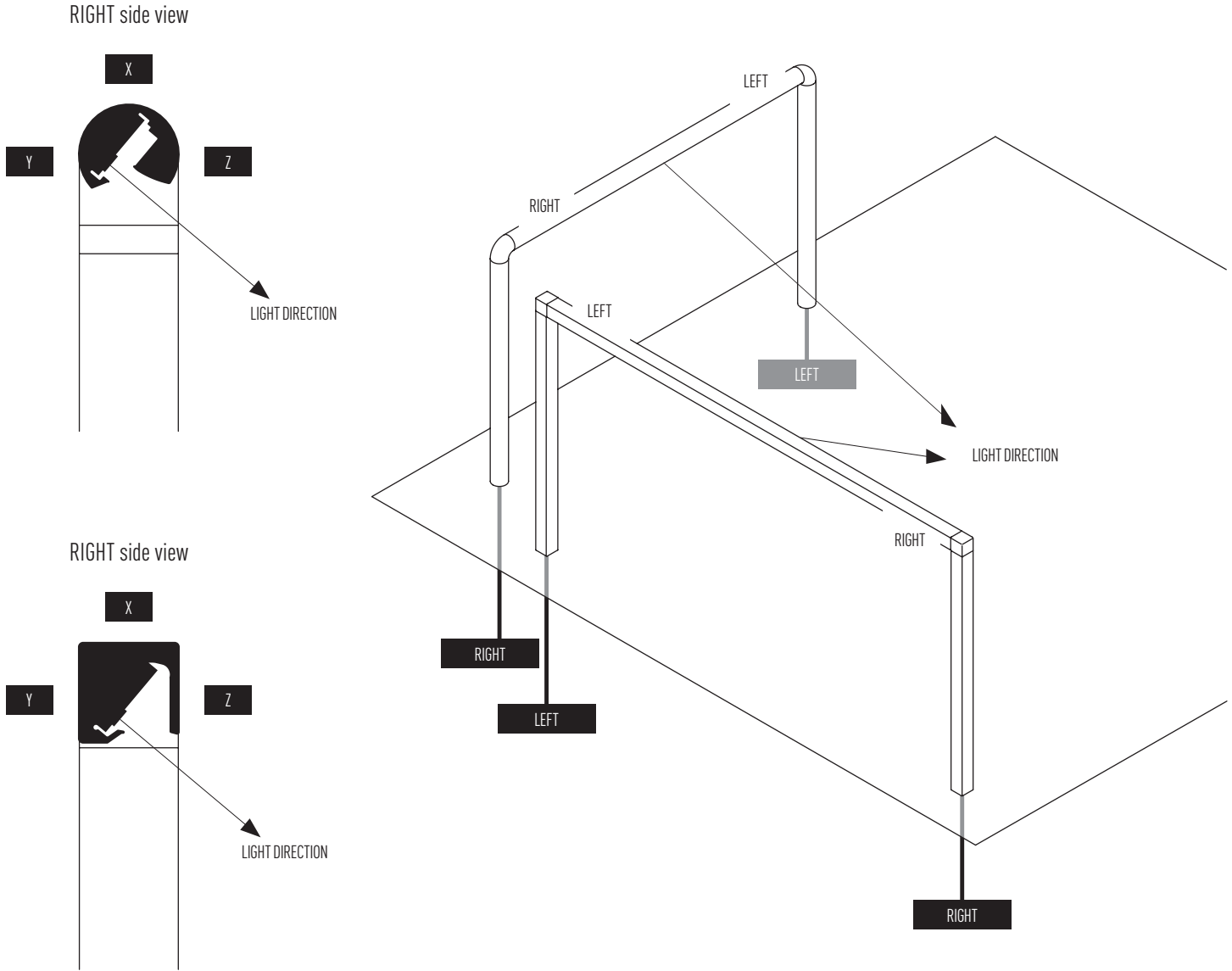
# NIXE



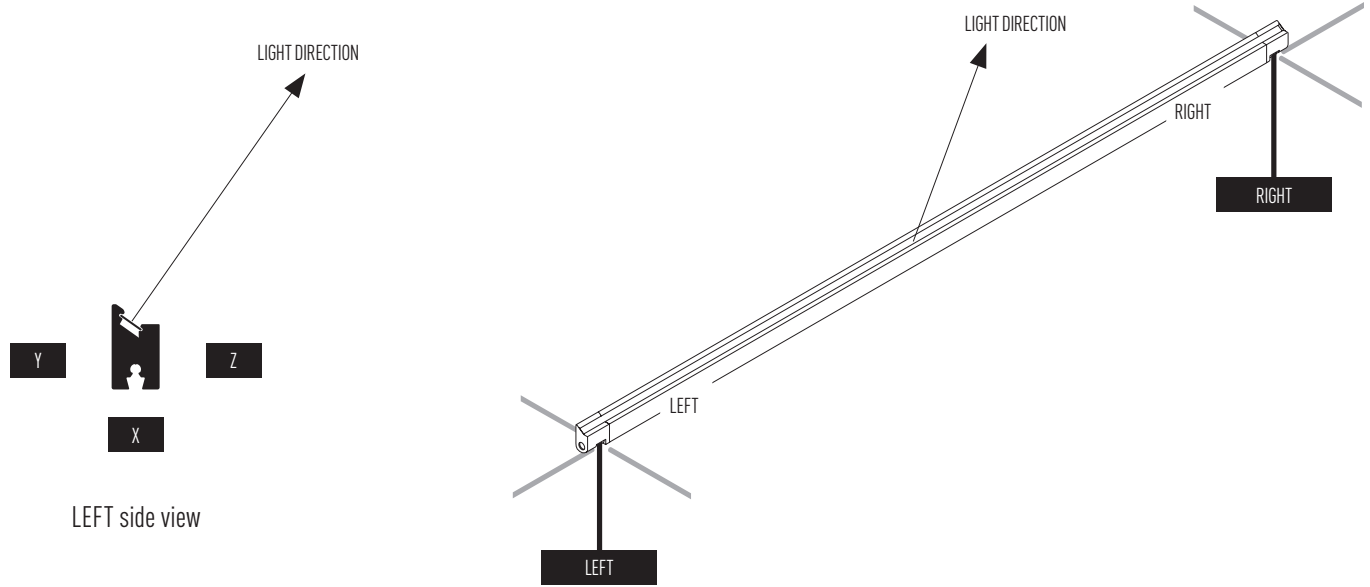
# NIXE FLEX



# ADENA

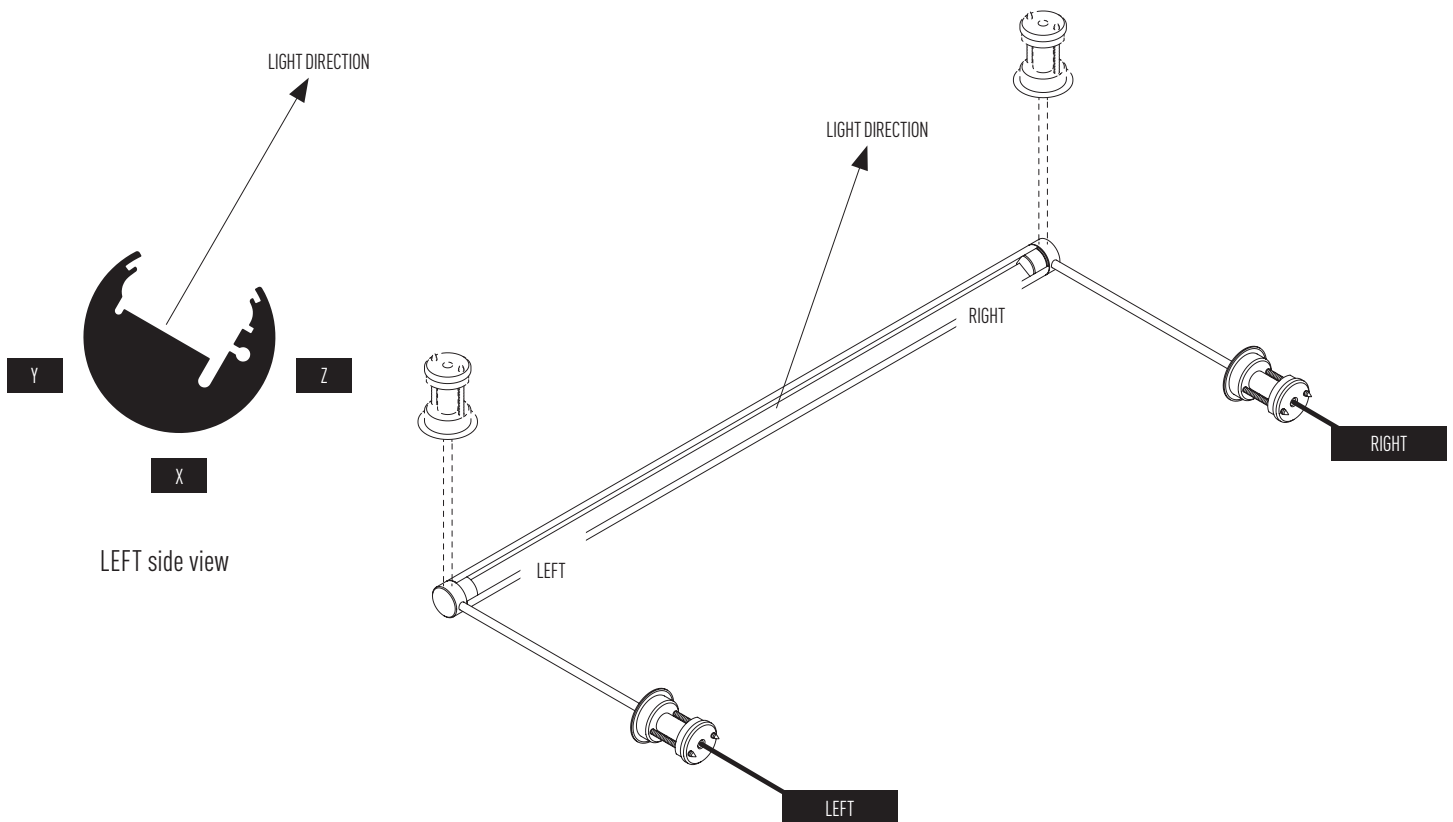


# PROXI

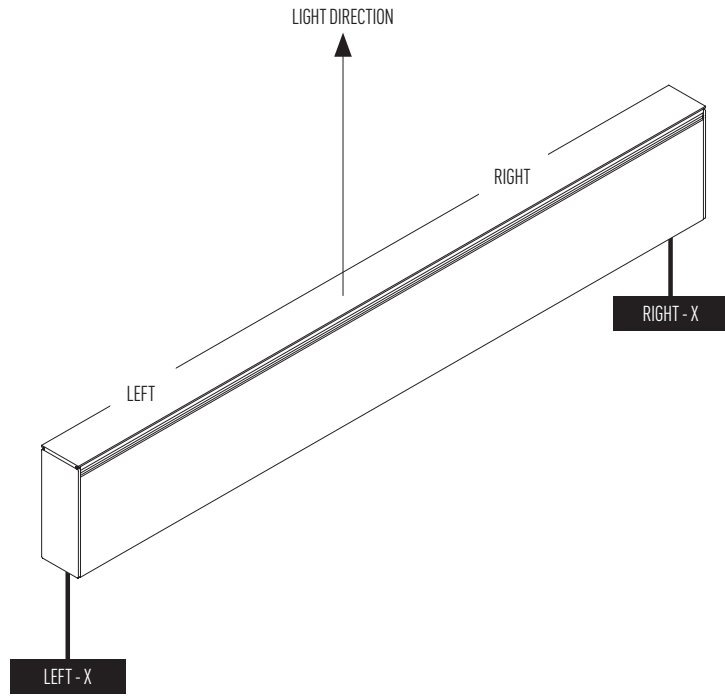
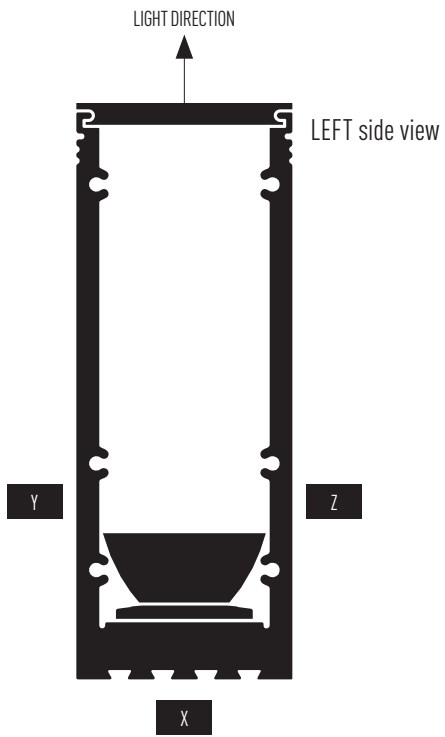


PROXI wire can be freely oriented for both exit side.

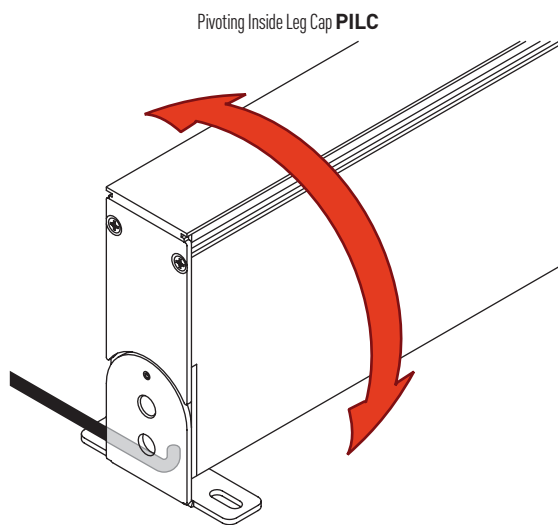
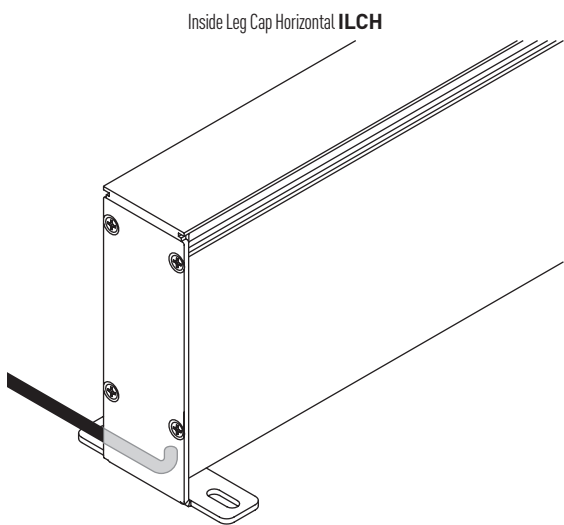
# STREAMLINE



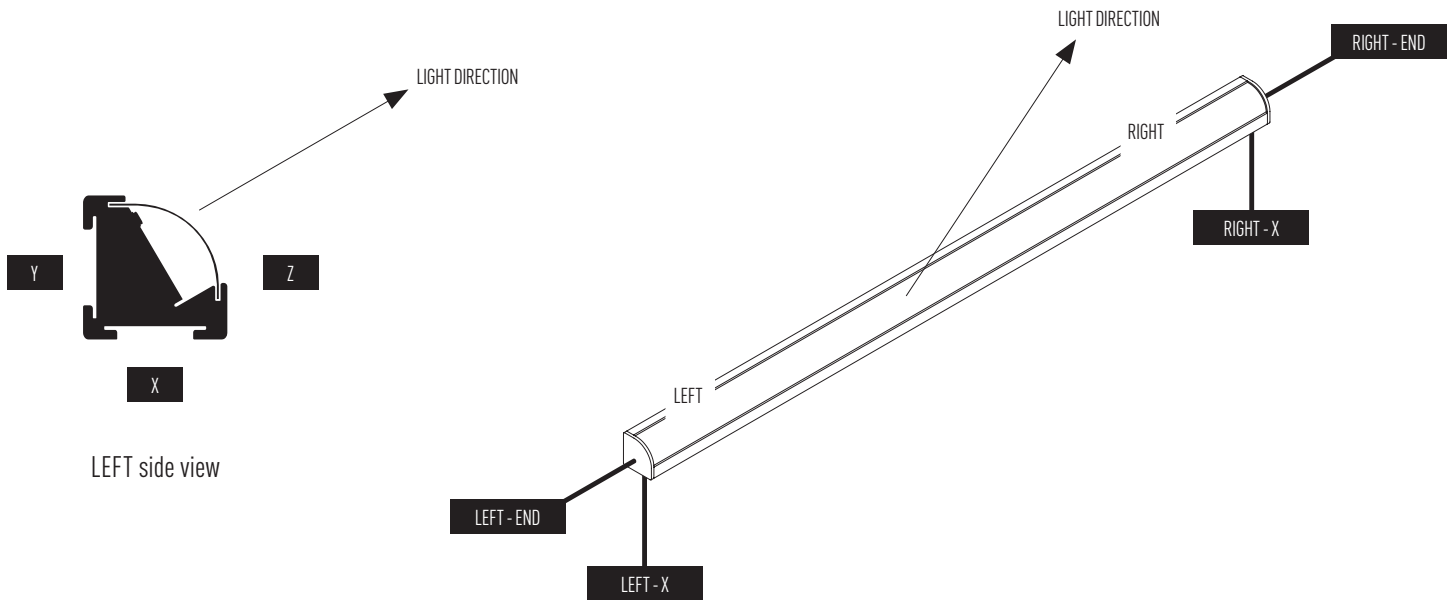
# HORIZON V



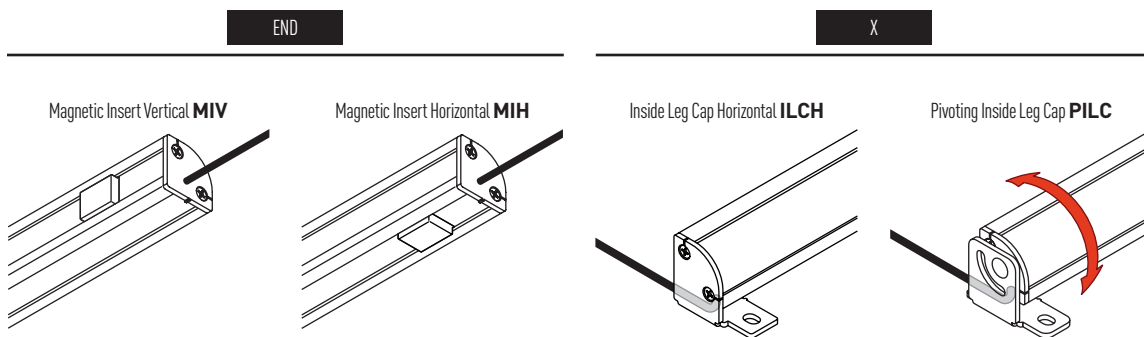
X



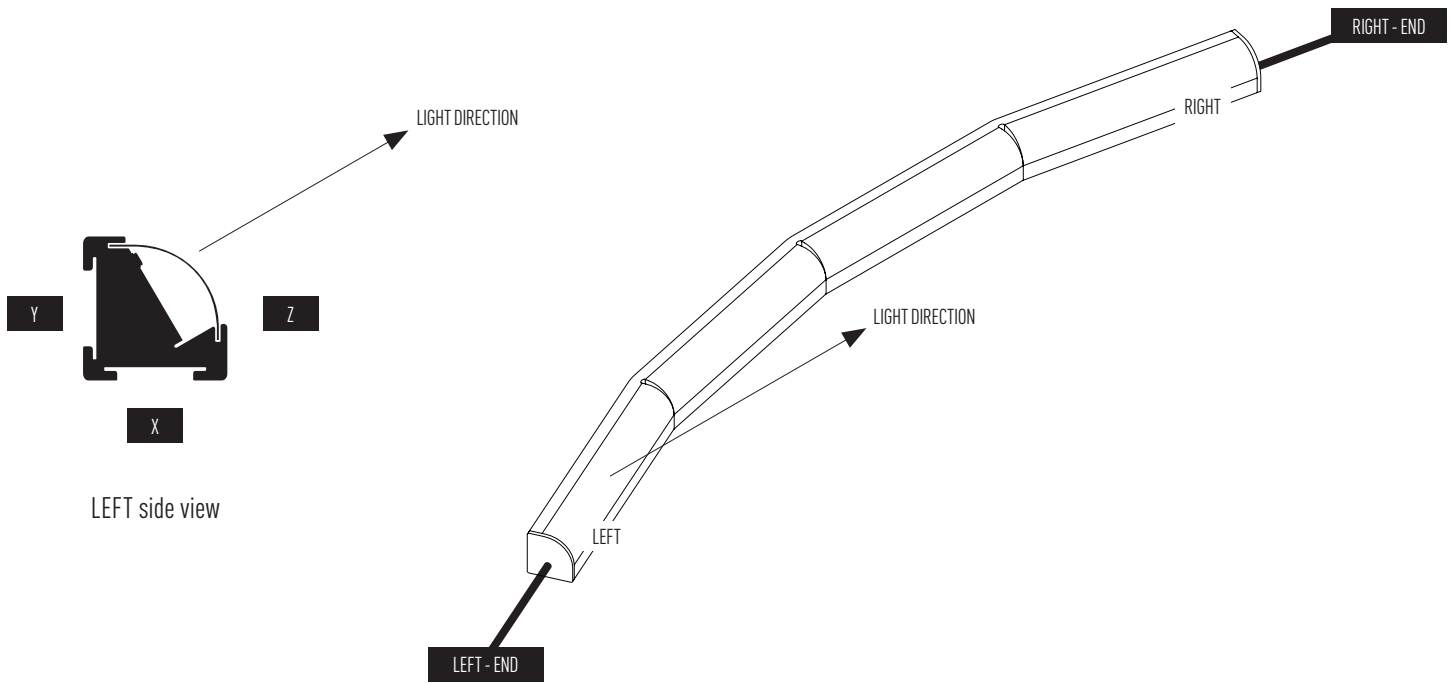
# FLOW COVE



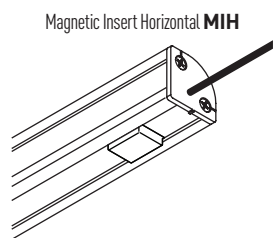
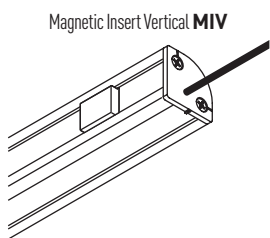
Wires orientation may vary according to mounting options. Speak to your representative for custom mounting options.



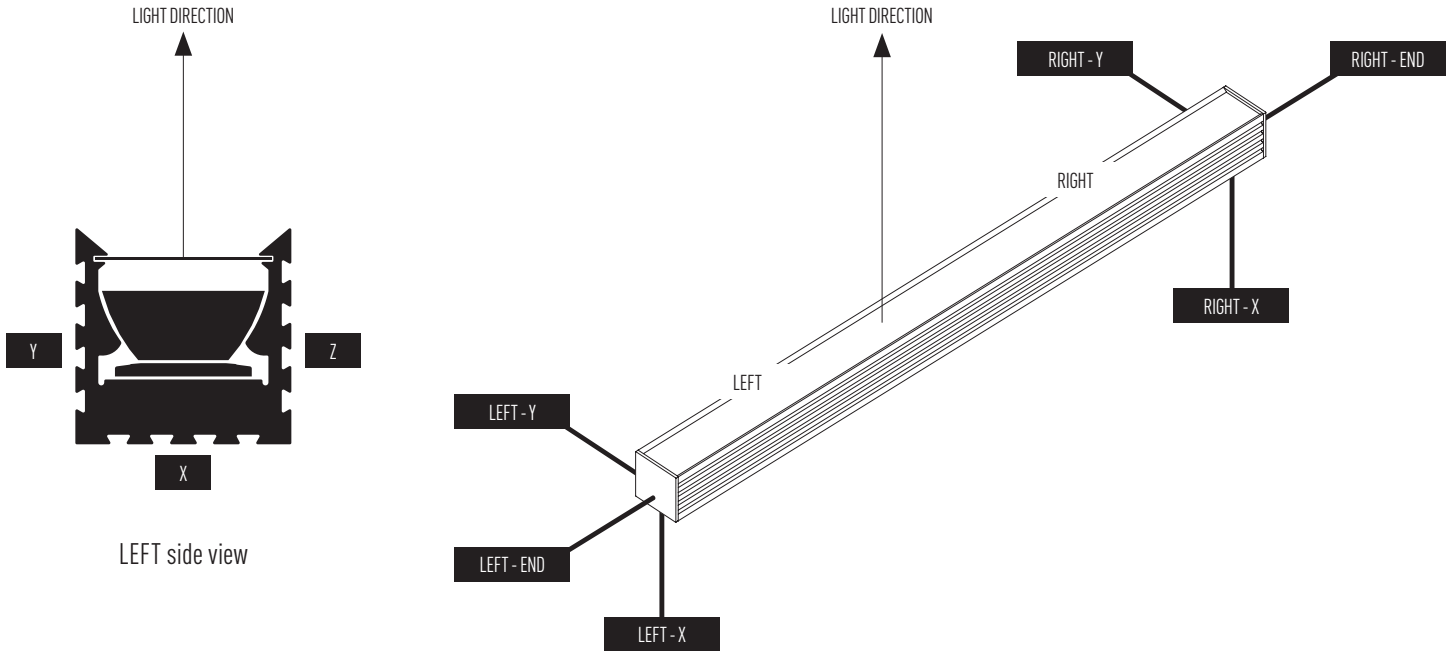
# FLOW COVE FLEX



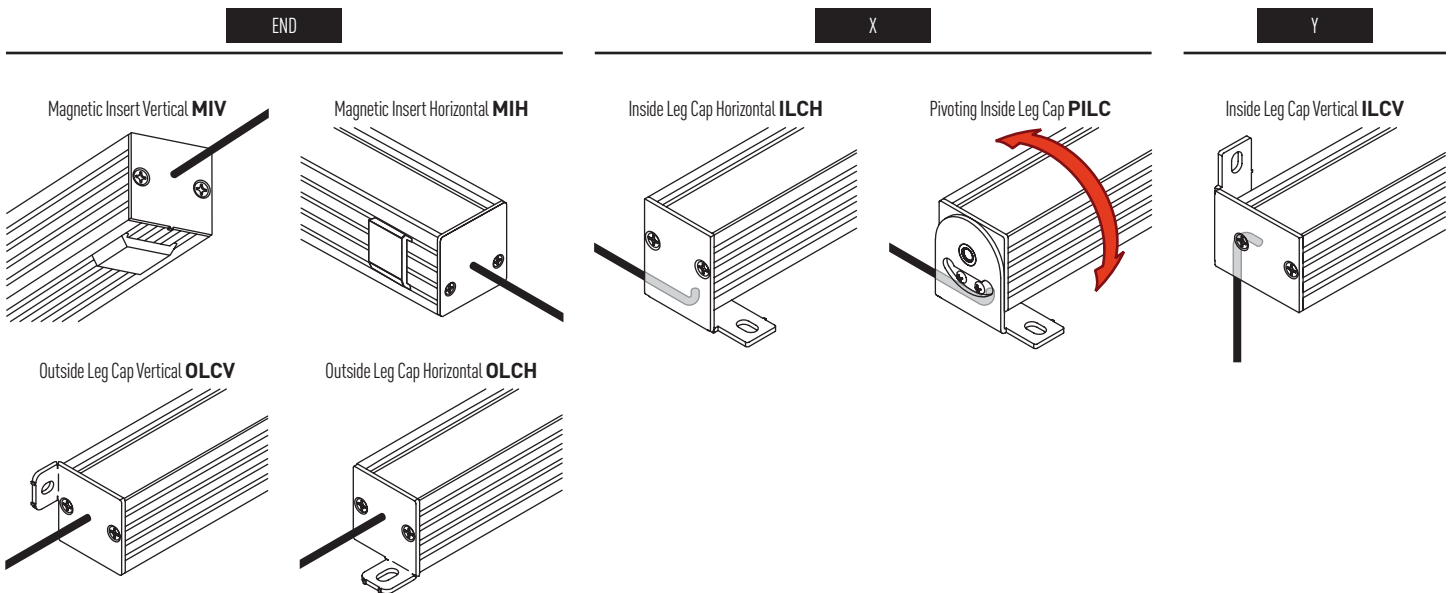
END



# HORIZON



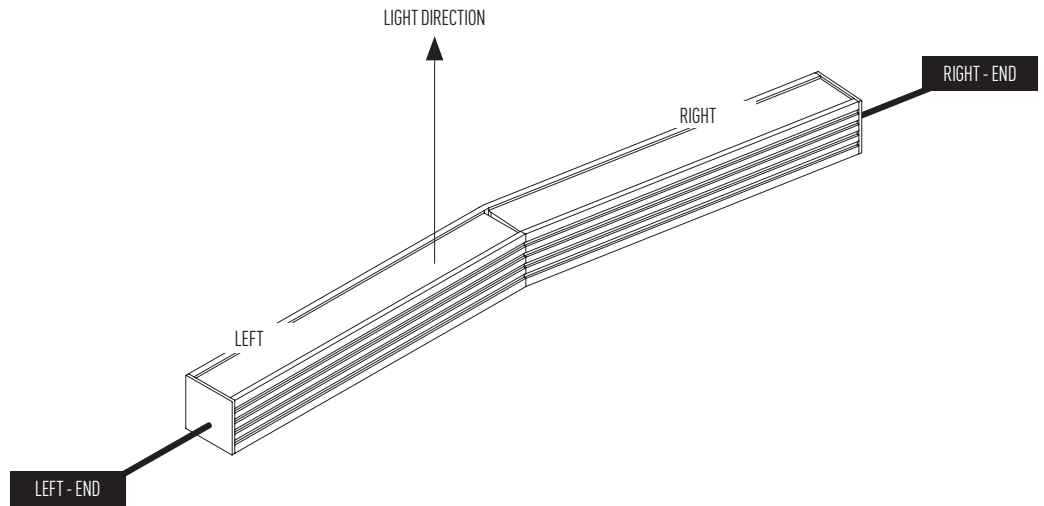
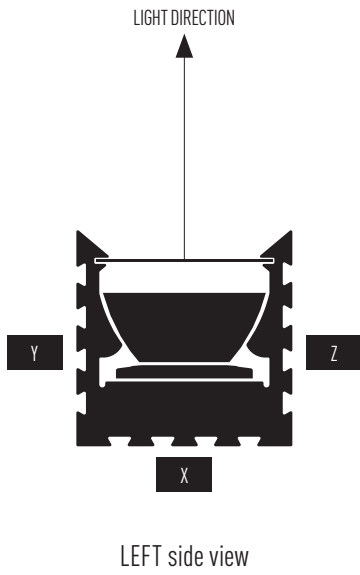
Wires orientation may vary according to mounting options. Speak to your representative for custom mounting options.



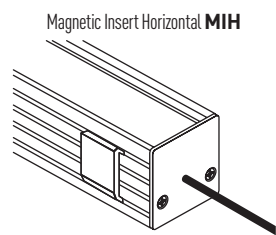
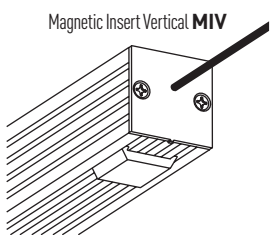


# HORIZON FLEX

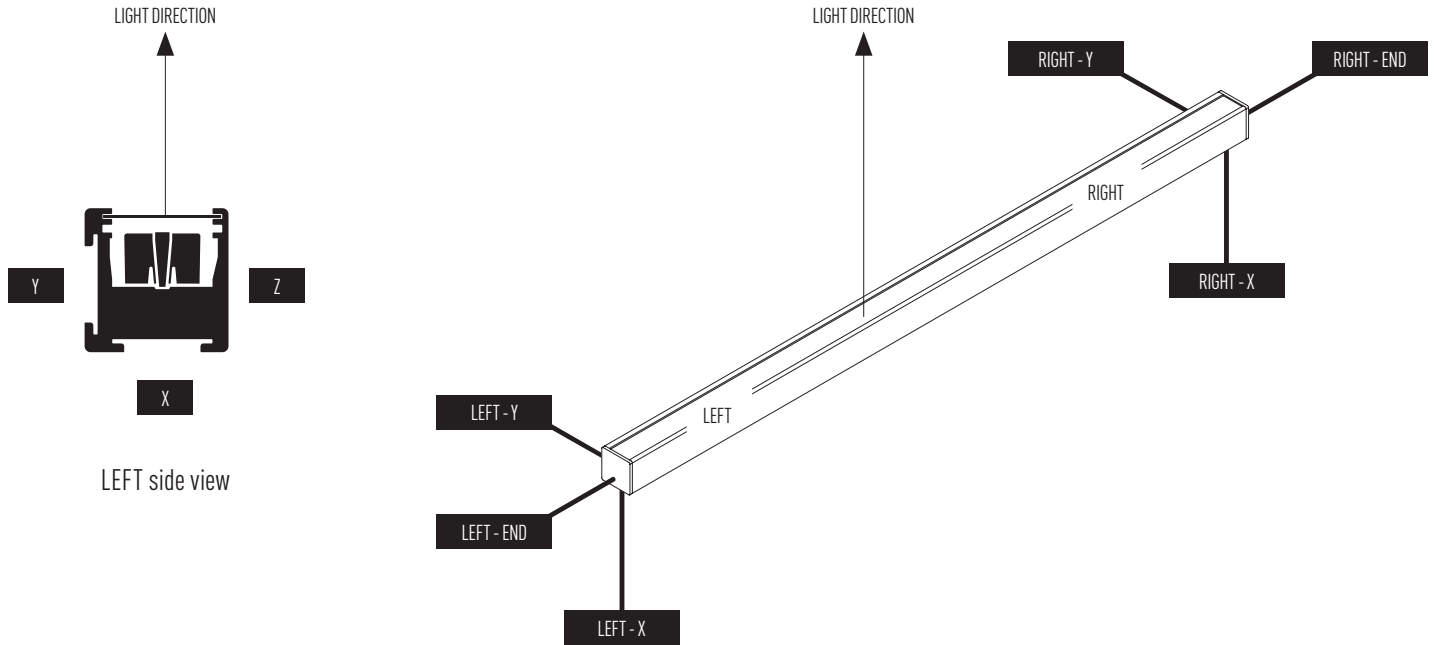
---



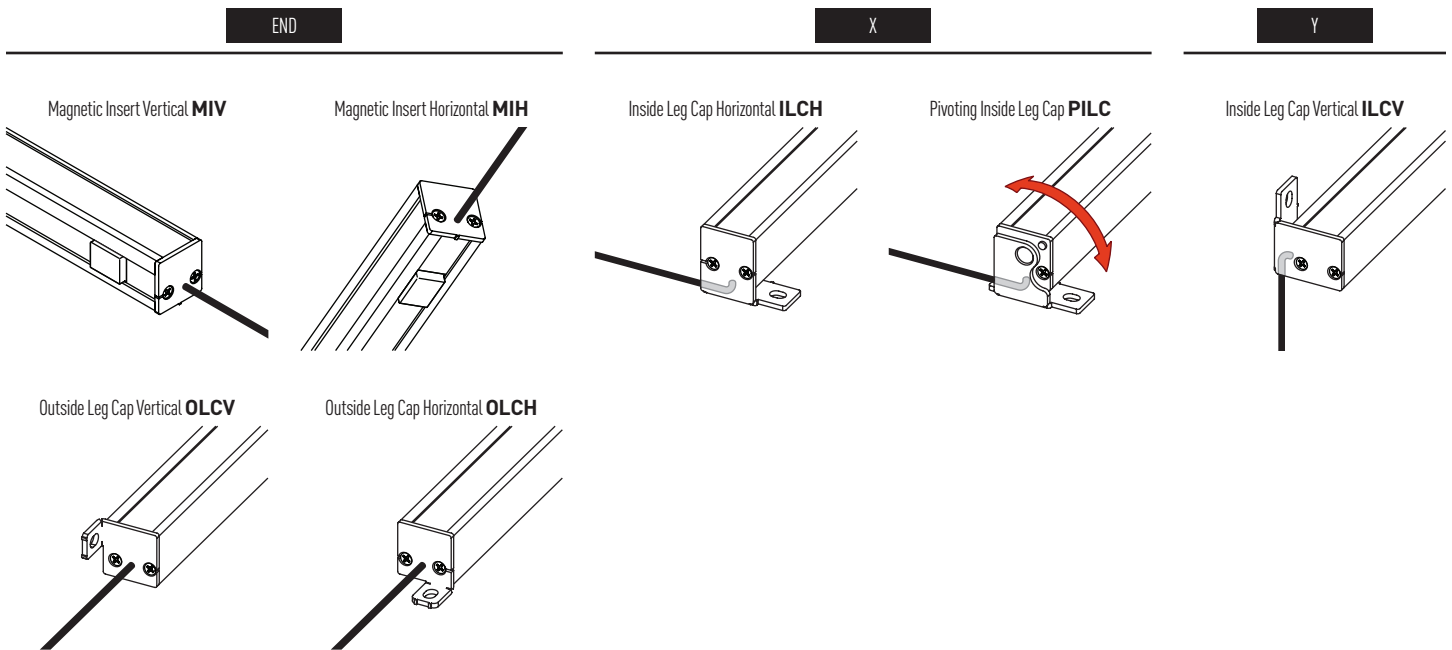
END



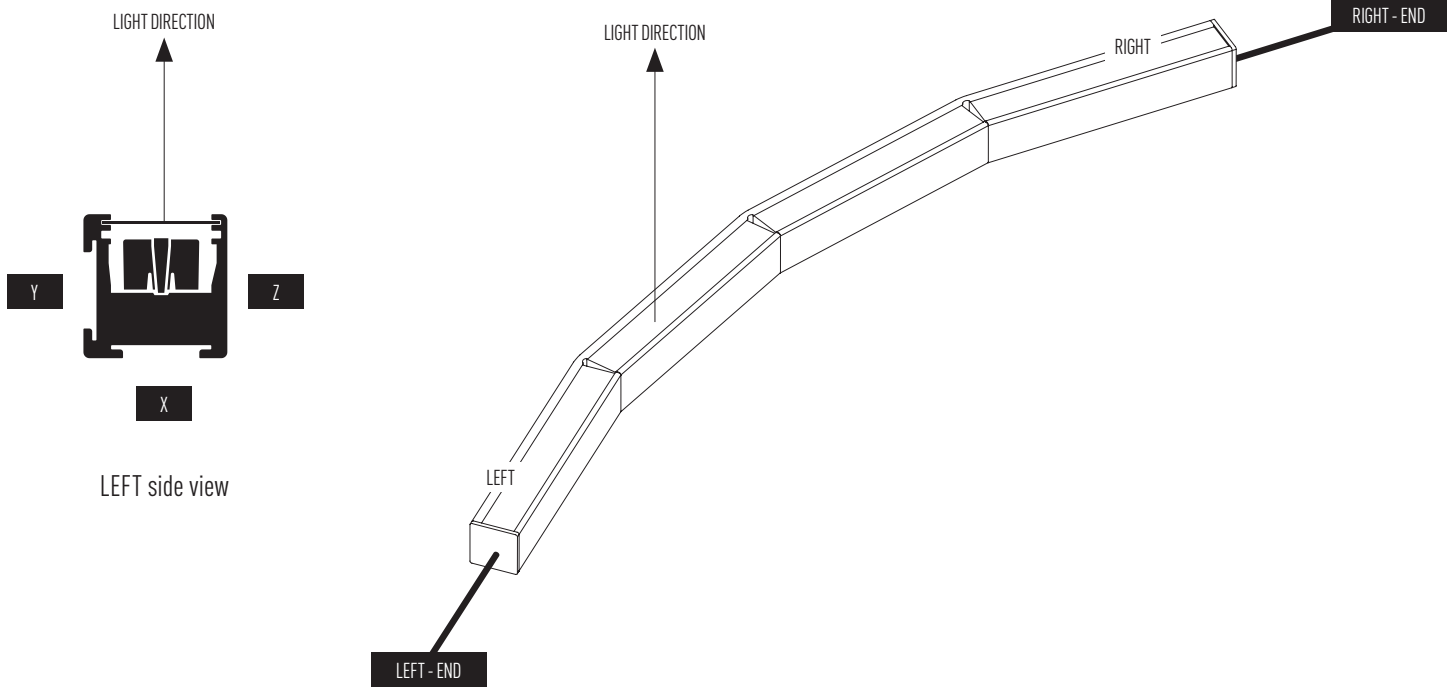
# HORIZON MINI



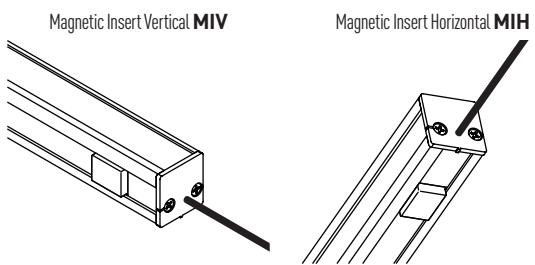
Wires orientation may vary according to mounting options. Speak to your representative for custom mounting options.



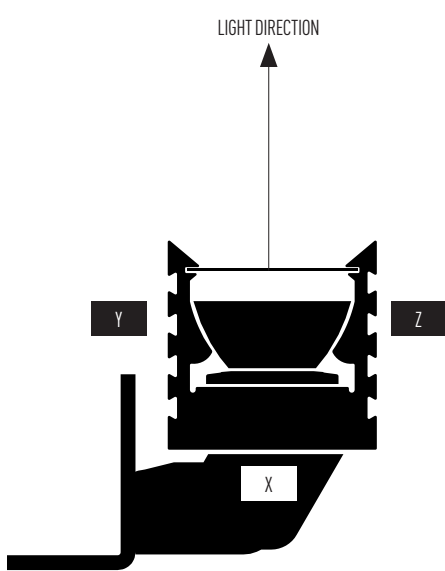
# HORIZON MINI FLEX



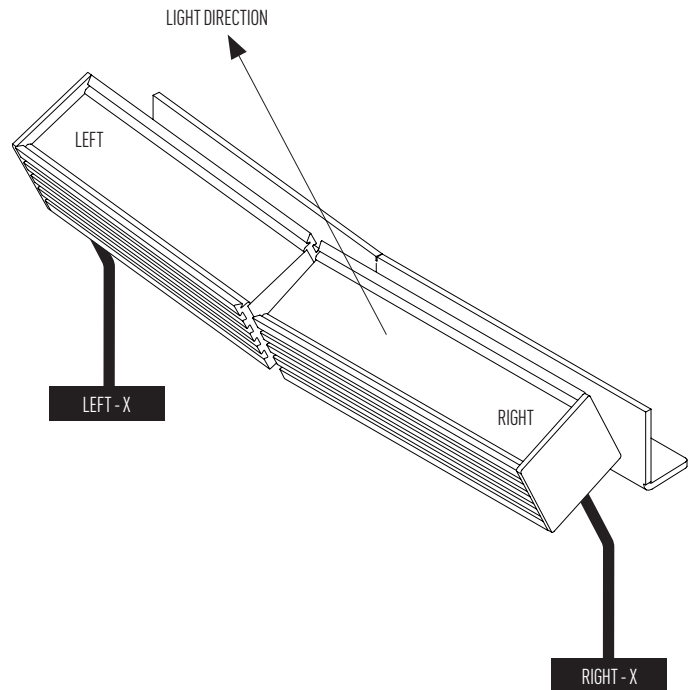
END



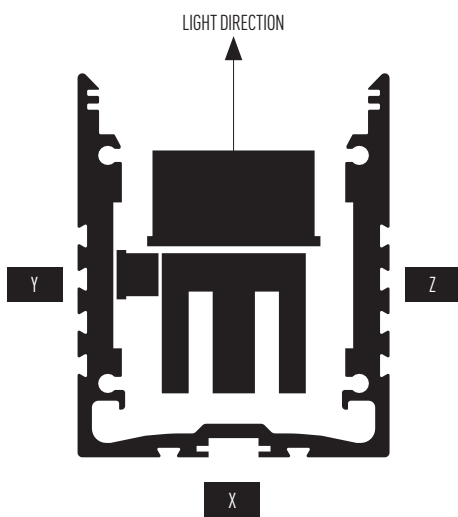
# HORIZON CONTOUR



LEFT side view



# EDGE



LEFT side view

