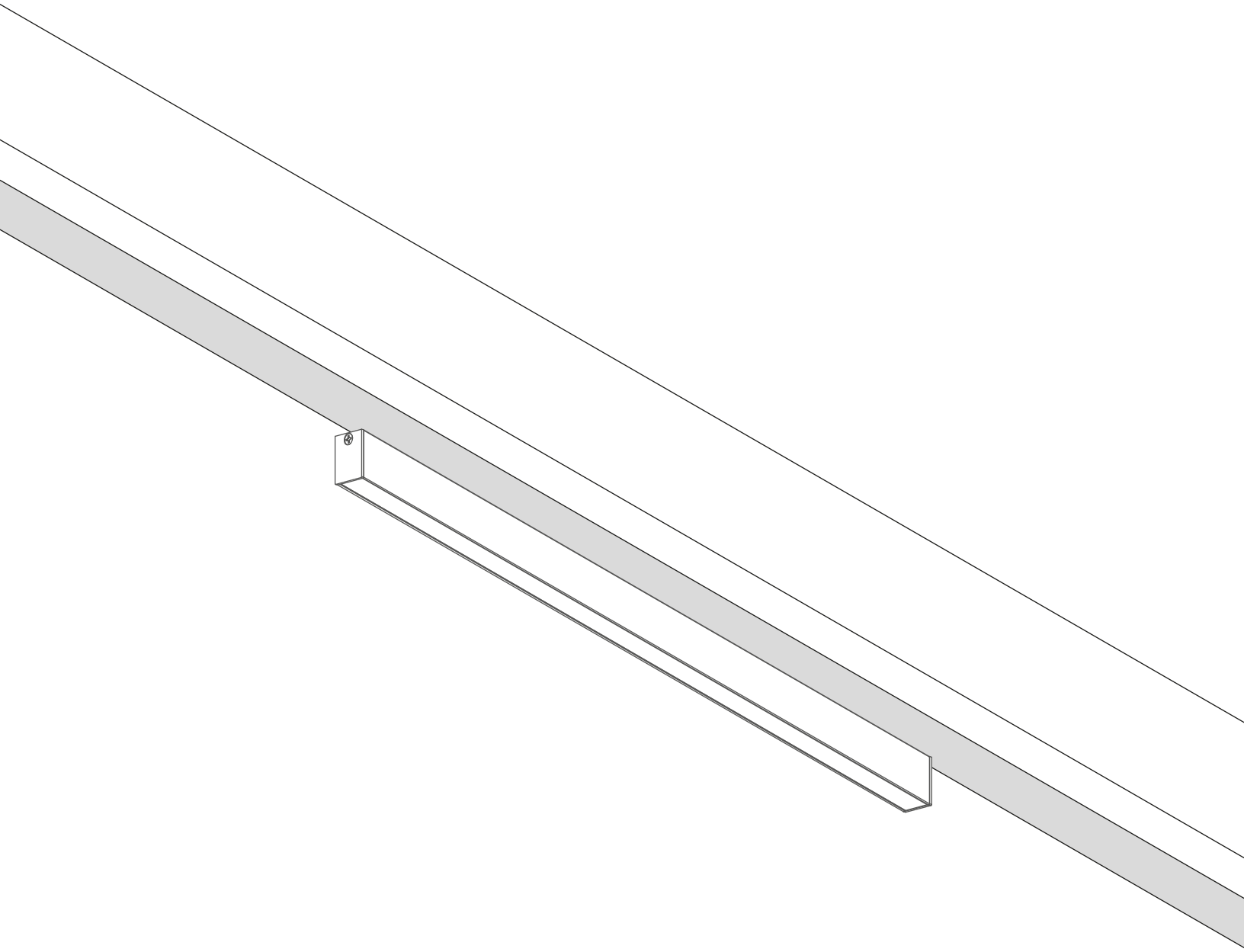
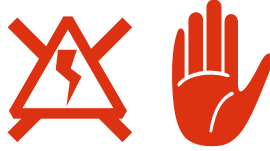


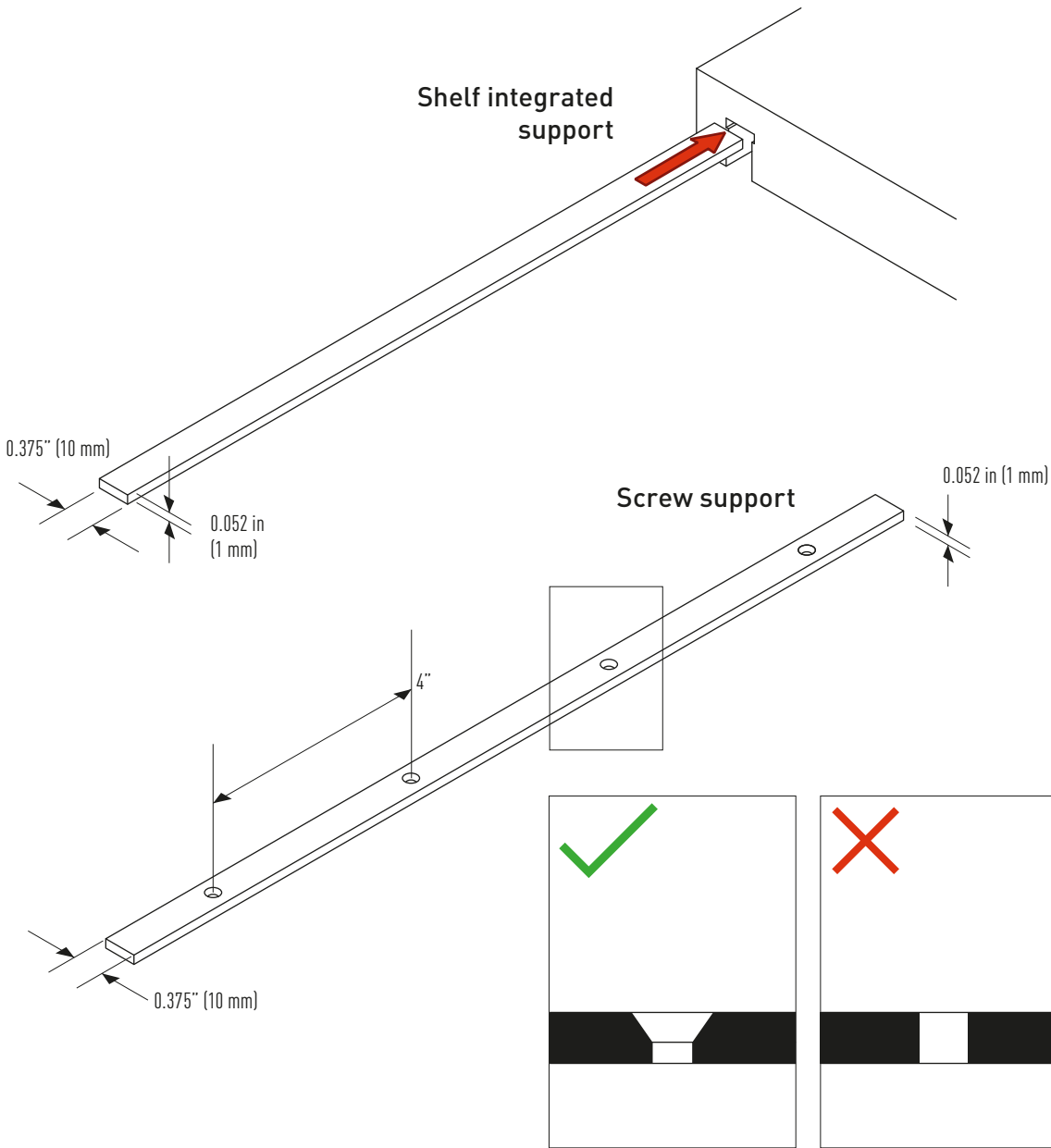
Installation guide **NIXE**<sup>®</sup>  
Linear LED



# WARNING!



Make sure the main power is turned off.



## Support specifications

If required, the galvanized steel plate support can be ordered as an accessory.

The support bar should be the same width as NIXE® extrusion. The length of the bar is custom and depends on installation specifications.

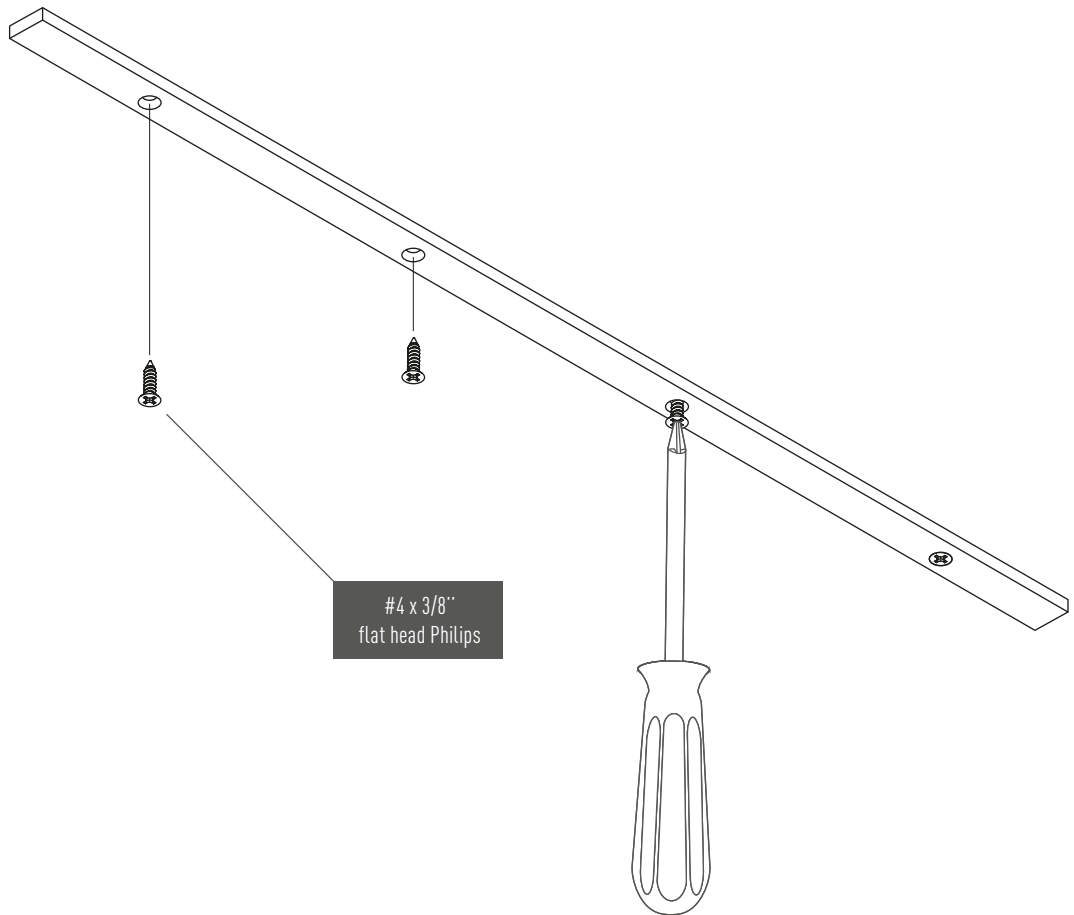
If the plate has to be installed with screws we recommend the distance between each hole be 4 inches.

\*\*\*  
Please note the holes must have a chamfer. DO NOT drill the metal plate to make straight holes  
\*\*\*

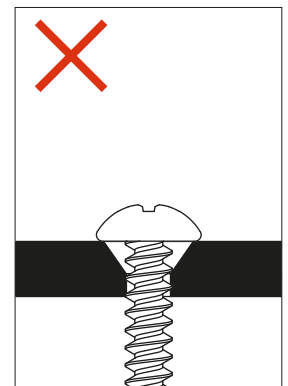
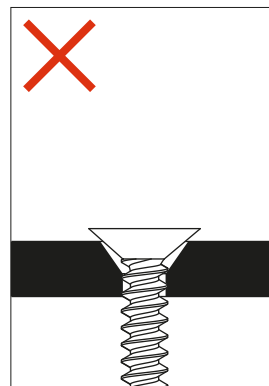
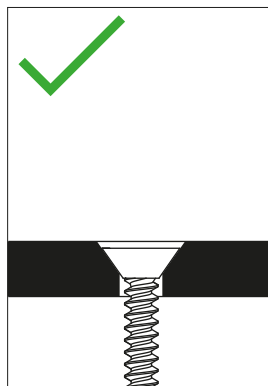
## Support installation

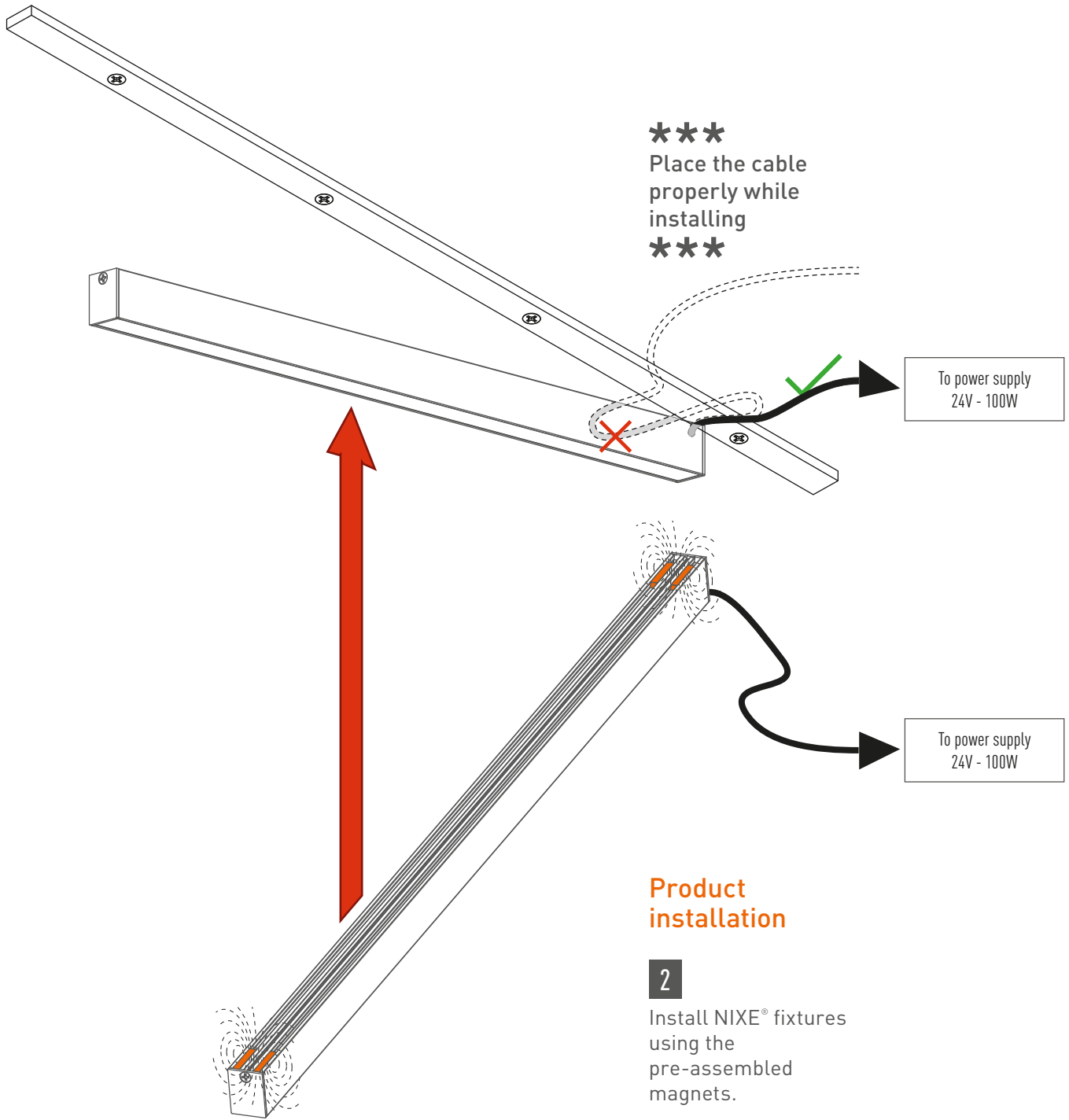
1

if the steel support bar is provided by EKLIPSE™, the plate must be installed in place using the provided **#4 flat head** screws **only**.



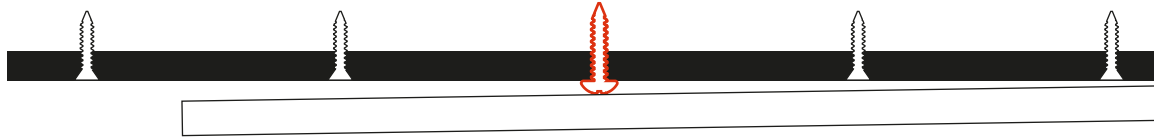
if the steel support bar is **not** provided by EKLIPSE™, the plate must be installed in place using the **appropriate flat head** screws.



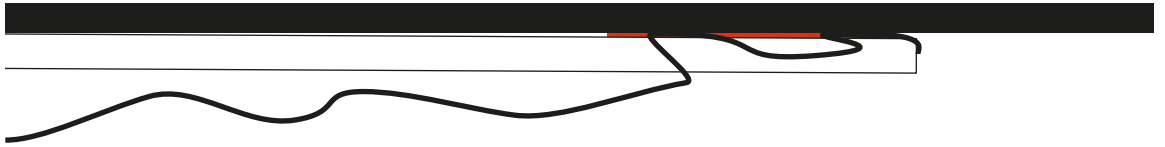


Verify your  
installation before  
turning on the  
electricity

Always use the  
required screws.  
Using a different  
screw may prevent  
NIXE® from operating  
properly.



Make sure the  
electrical cable does  
not remain blocked  
between the fixture  
and the steel  
support bar.



# EKLIPSE™

## ARCHITECTURAL LIGHTING

2090 rue Moreau, Suite 100  
H1W 2M3 Montréal QC - Canada  
T +1 514 590 0099 / F +1 514 590 0098  
sales@eklipselighting.com

[www.eklipselighting.com](http://www.eklipselighting.com)

Specifications may vary, without altering or reducing product performance. All information on this document are the sole property of Eclipse™ Architectural Lighting inc.

Reproduction of this document, in whole or in part, without written permission is illegal.