

Specifications sheet

NIXE

Linear luminaire



EKLIPSE
ARCHITECTURAL LIGHTING



NIXE is one of the smallest optic driven linear light on the market, measuring less than 10mm - barely the width of a fountain pen. It integrates its environment perfectly and seamlessly, without any apparent trims or edges, only uniform light. 5 different beam angles are available, from narrow to wide as well as asymmetric, covering multiple light applications such as grazing, washing, task and more.

Electrical

Power output

Available in 4W/ft (13W/m) and 6W/ft (20W/m).

Remote Power Supply

24V: *CONSTANT VOLTAGE*
ERP JVLW 96W
MAGTECH
MEANWELL

Dimming Power Supply

24V: *CONSTANT VOLTAGE*
Eklipse™ LM-24-100.
Dimming PWM 0-10V
LUTRON - US
ELDOLED
LUTRON DALI - Europe

Wiring

48" length (1.2 m) - 20 AWG wire lead with WAGO quick connector. *

Thermal control

Through constant thermal monitoring and current control, Eklipse™ intelligent board technology (IBT) maintains optimal light levels and operating temperature preventing harmful overheating by self adjusting to its environment.

Physical

Construction

Aluminium body.
Extruded acrylic optic.

Adjustment

Magnetic insert allows a quick and easy installation.

Finish

Anodized clear.

Operating temperature

The temperature should be measured at 3 inches from the light source.



0° ~ 40°

Standards compliance

Approved RoHS, CSA/UL and CE.



Light

Light source

Mid power linear LEDs.

Light temperature

2200K, 2400K, 2700K, 3000K, 3500K, 4000K.

CRI

80 (minimum),
90 (minimum).

Extruded optic

20°, 40°, 70°, 100°,
Asymmetric [70° beam tilted at 12° from nadair].

Interior / Dry location only

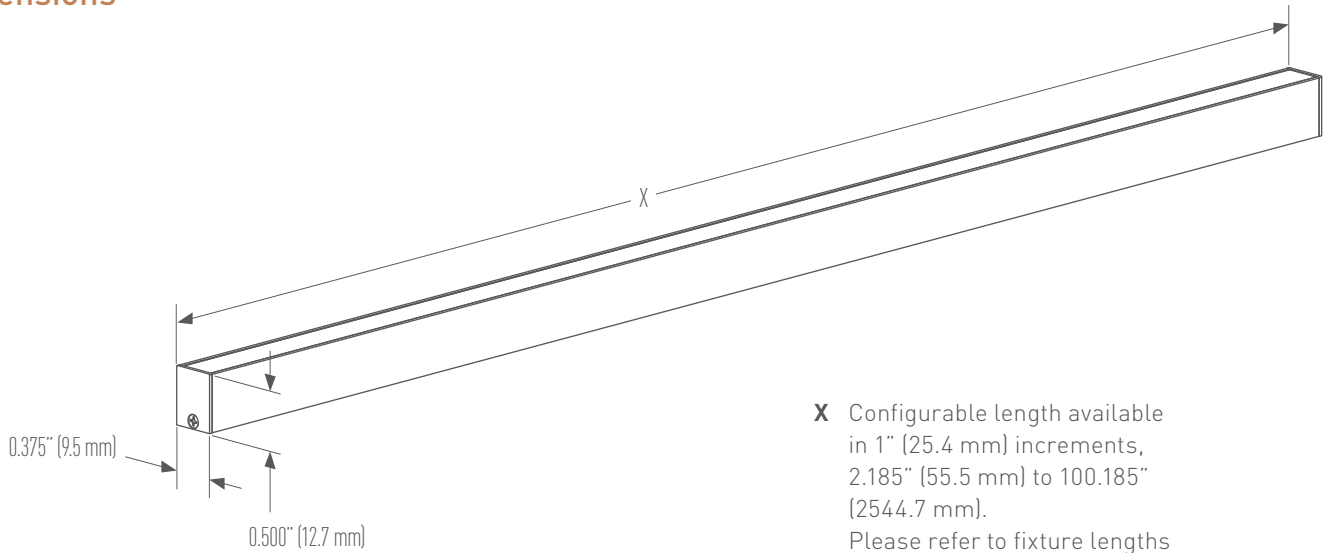


IP20

CLASS 2
PRODUCT

24V - 100W MAX

Dimensions



X Configurable length available in 1" (25.4 mm) increments, 2.185" (55.5 mm) to 100.185" (2544.7 mm). Please refer to fixture lengths table on page 6.

Light resolution

Medium density
20° optic.



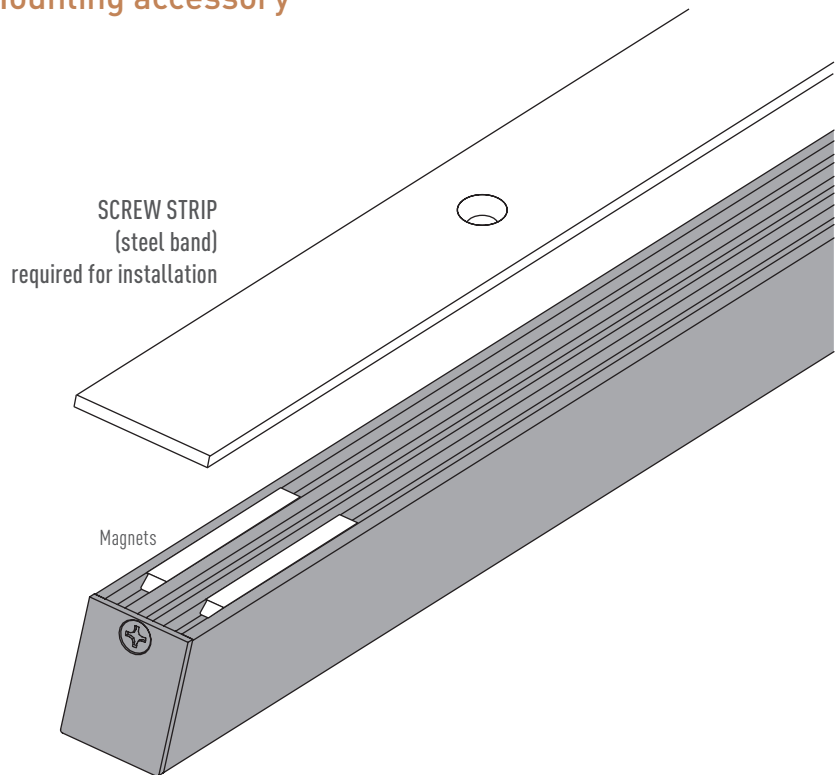
Short distance between LED sources creating blended light appearance.

High density
40°, 70°, 100°,
Asymmetric optic.



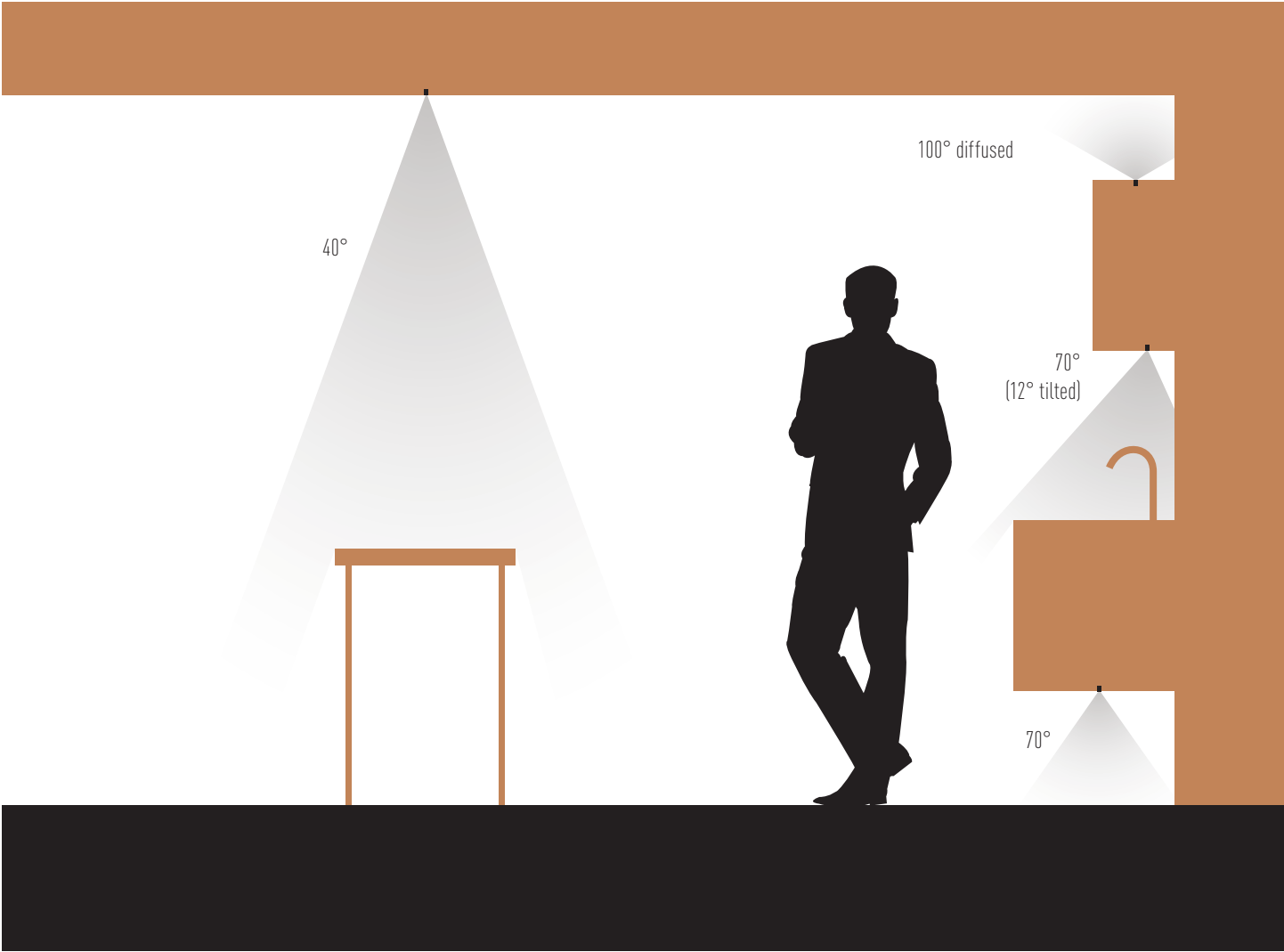
Uniform light appearance.

Mounting accessory



Application illustrations



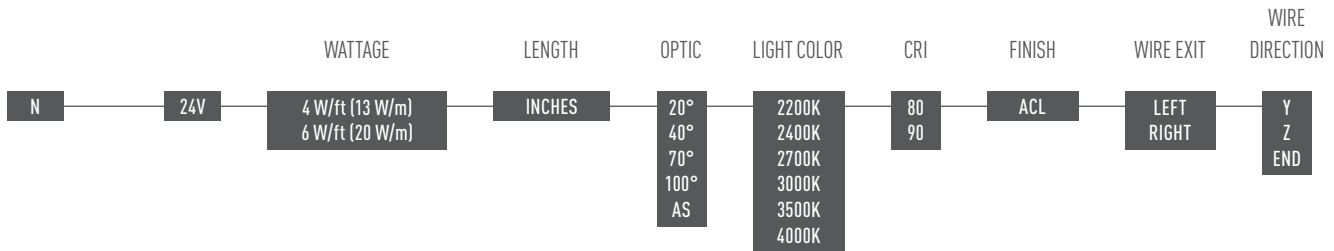


Available fixture lengths

Imperial Metric

inches	mm	inches	mm	inches	mm	inches	mm
		30.185	766.7	60.185	1528.7	90.185	2290.7
		31.185	792.1	61.185	1554.1	91.185	2316.1
2.185	55.5	32.185	817.5	62.185	1579.5	92.185	2341.5
3.185	80.9	33.185	842.9	63.185	1604.9	93.185	2366.9
4.185	106.3	34.185	868.3	64.185	1630.3	94.185	2392.3
5.185	131.7	35.185	893.7	65.185	1655.7	95.185	2417.7
6.185	157.1	36.185	919.1	66.185	1681.1	96.185	2443.1
7.185	182.5	37.185	944.5	67.185	1706.5	97.185	2468.5
8.185	207.9	38.185	969.9	68.185	1731.9	98.185	2493.9
9.185	233.3	39.185	995.3	69.185	1757.3	99.185	2519.3
10.185	258.7	40.185	1020.7	70.185	1782.7	100.185	2544.7
11.185	284.1	41.185	1046.1	71.185	1808.1		
12.185	309.5	42.185	1071.5	72.185	1833.5		
13.185	334.9	43.185	1096.9	73.185	1858.9		
14.185	360.3	44.185	1122.3	74.185	1884.3		
15.185	385.7	45.185	1147.7	75.185	1909.7		
16.185	411.1	46.185	1173.1	76.185	1935.1		
17.185	436.5	47.185	1198.5	77.185	1960.5		
18.185	461.9	48.185	1223.9	78.185	1985.9		
19.185	487.3	49.185	1249.3	79.185	2011.3		
20.185	512.7	50.185	1274.7	80.185	2036.7		
21.185	538.1	51.185	1300.1	81.185	2062.1		
22.185	563.5	52.185	1325.5	82.185	2087.5		
23.185	588.9	53.185	1350.9	83.185	2112.9		
24.185	614.3	54.185	1376.3	84.185	2138.3		
25.185	639.7	55.185	1401.7	85.185	2163.7		
26.185	665.1	56.185	1427.1	86.185	2189.1		
27.185	690.5	57.185	1452.5	87.185	2214.5		
28.185	715.9	58.185	1477.9	88.185	2239.9		
29.185	741.3	59.185	1503.3	89.185	2265.3		

Ordering code model



Warranty

Our products and relative parts are guaranteed for **three (3)** years.

See our terms and conditions on www.eklipselighting.com





EKLIPSE

ARCHITECTURAL LIGHTING

Specifications may vary, without altering or reducing product performance.

All information on this document are the sole property of Eclipse™ Architectural Lighting inc.

Reproduction of this document, in whole or in part, without written permission is illegal.

2090 rue Moreau
Suite 100
Montréal, QC - H1W 2M3
Canada

T +1 514 590 0099
F +1 514 590 0098
INT 1 877 590 0098

sales@eklipselighting.com
www.eklipselighting.com