

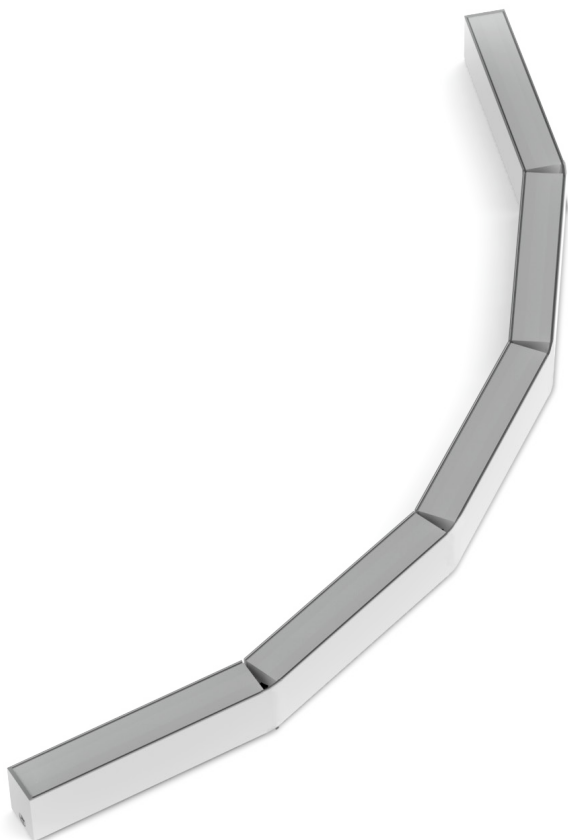
Specifications sheet

# NIXE<sup>®</sup> FLEX

Curvable linear luminaire



EKLIPSE  
ARCHITECTURAL LIGHTING



NIXE is one of the smallest optic driven linear light on the market, measuring less than 10mm - barely the width of a fountain pen. It integrates its environment perfectly and seamlessly, without any apparent trims or edges, only uniform light. 5 different beam angles are available, from narrow to wide as well as asymmetric, covering multiple light applications such as grazing, washing, task and more.

## Electrical

### Power output

Available in 4W/ft (13W/m) and 6W/ft (20W/m).

### Remote Power Supply

24V: *CONSTANT VOLTAGE*  
ERP JVLW 96W  
MAGTECH  
MEANWELL

### Dimming Power Supply

24V: *CONSTANT VOLTAGE*  
Eclipse™ LM-24-100.  
Dimming PWM 0-10V  
LUTRON - US  
ELDOLED  
LUTRON DALI - Europe

### Wiring

48" length (1.2 m) - 20 AWG wire lead with WAGO quick connector. \*

### Thermal control

Through constant thermal monitoring and current control, Eclipse™ intelligent board technology (IBT) maintains optimal light levels and operating temperature preventing harmful overheating by self adjusting to its environment.

\* Available for tailor-made application. Please contact your Eclipse representative for further informations.

## Physical

### Construction

Aluminium body.  
Extruded acrylic optic.

### Adjustment

Magnetic insert allows a quick and easy installation.

### Finish

Anodized clear.

### Operating temperature

The temperature should be measured at 3 inches from the light source.



0° ~ 40°

### Standards compliance

Approved RoHS, CSA/UL and CE.



## Light

### Light source

Mid power linear LEDs.

### Light temperature

2200K, 2400K, 2700K, 3000K, 3500K, 4000K.

### CRI

80 (minimum),  
90 (minimum).

### Extruded optic

20°, 40°, 70°, 100°,  
Asymmetric [70° beam tilted at 12° from nadair].

Interior / Dry location only



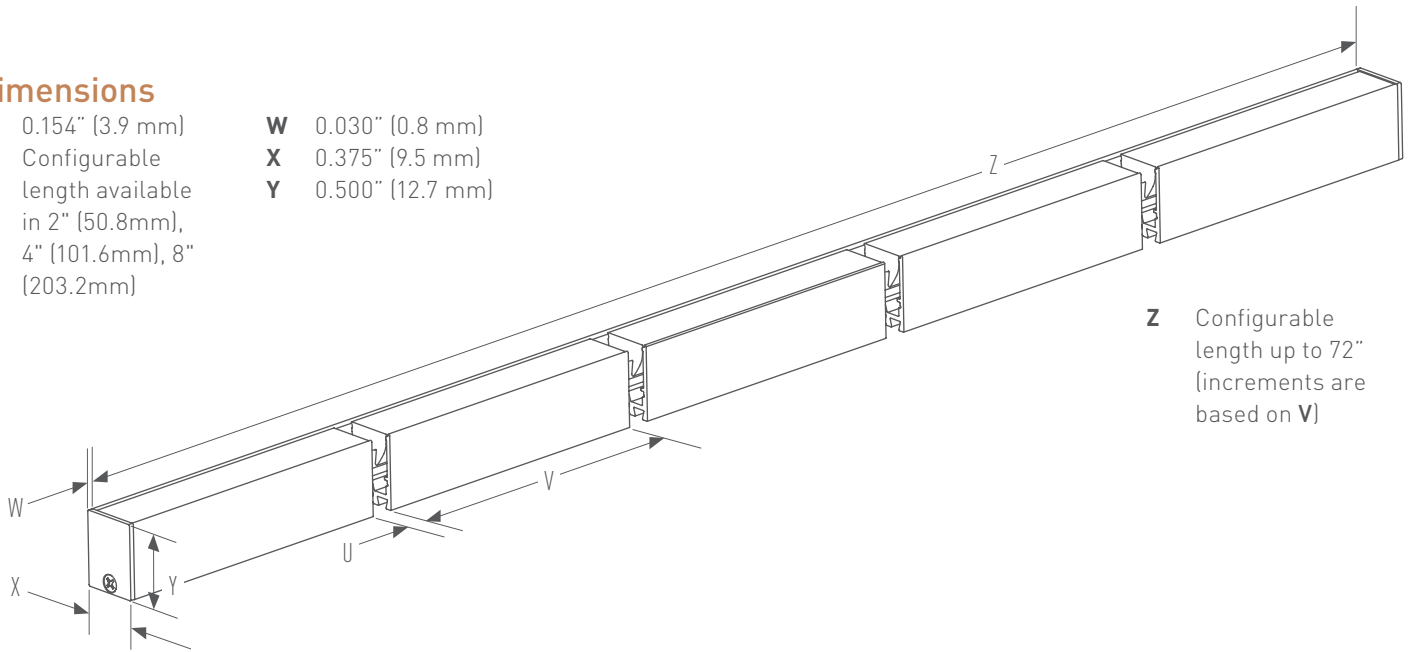
IP20

**CLASS 2**  
PRODUCT

24V - 100W MAX

## Dimensions

<b>U</b>	0.154" (3.9 mm)	<b>W</b>	0.030" (0.8 mm)
<b>V</b>	Configurable length available in 2" (50.8mm), 4" (101.6mm), 8" (203.2mm)	<b>X</b>	0.375" (9.5 mm)
		<b>Y</b>	0.500" (12.7 mm)



**Z** Configurable length up to 72" (increments are based on V)

## Light resolution

### Medium density

20° optic.



Short distance between LED sources creating blended light appearance.

### High density

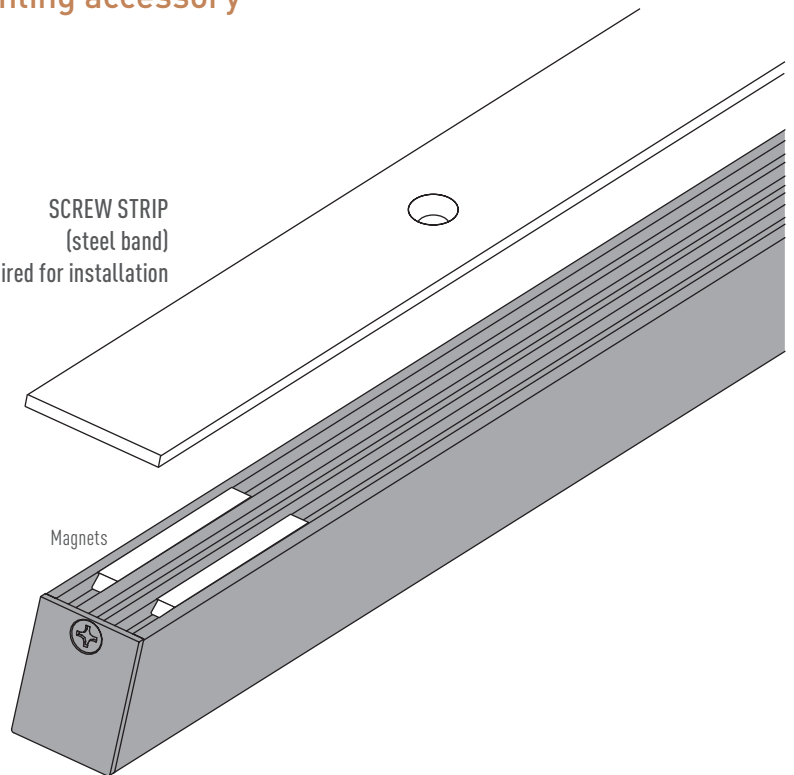
40°, 70°, 100°,  
Asymmetric optic.



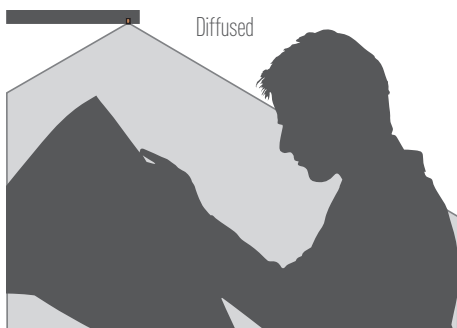
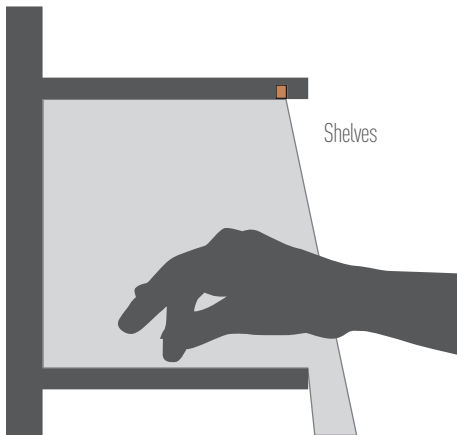
Uniform light appearance.

## Mounting accessory

SCREW STRIP  
(steel band)  
required for installation

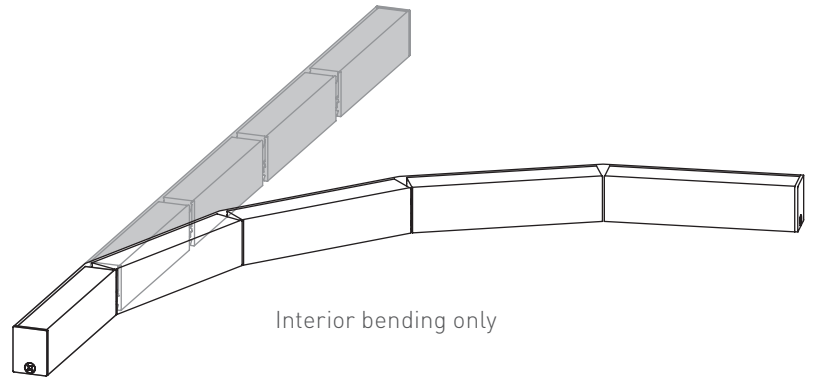


## Applications

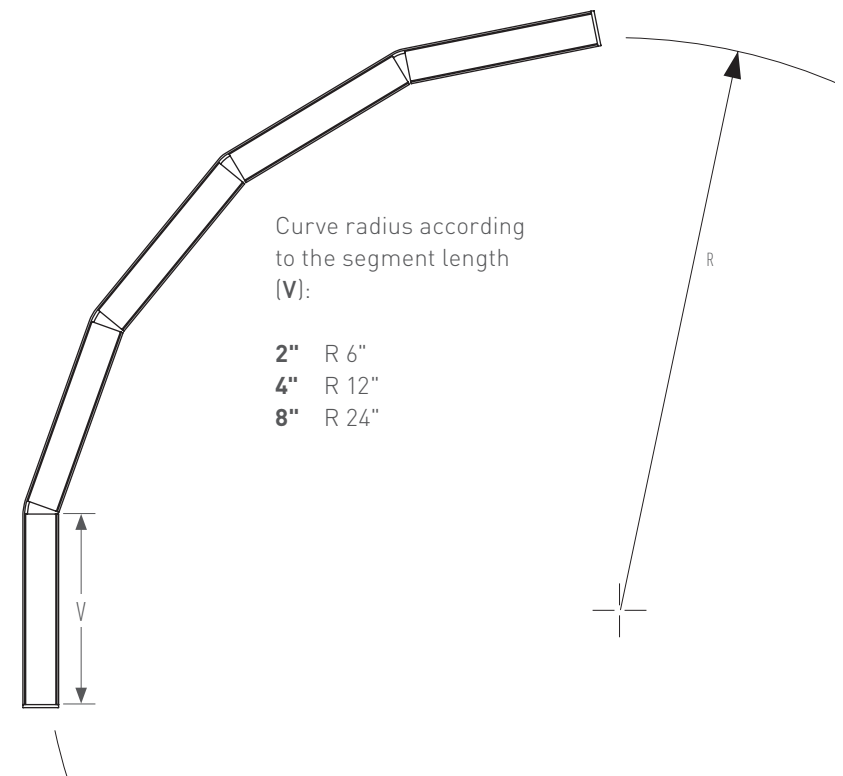


## Adjustments

### Bending



### Curve radius



## Available fixture lengths

Imperial    Metric

### NIXE FLEX - 2"

inches	mm
4.40	111.7
6.58	167.2
8.77	222.7
10.95	278.2
13.14	333.6
15.32	389.1
17.50	444.6
19.69	500.1
21.87	555.5
24.06	611.0
26.24	666.5
28.42	721.9
30.61	777.4
32.79	832.9
34.98	888.4
37.16	943.8
39.34	999.3
41.53	1054.8
43.71	1110.3
45.90	1165.7
48.08	1221.2
50.26	1276.7
52.45	1332.2
54.63	1387.6
56.82	1443.1
59.00	1498.6
61.18	1554.1
63.37	1609.5
65.55	1665.0
67.74	1720.5
69.92	1775.9
72.10	1831.4
74.29	1886.9
76.47	1942.4
78.66	1997.8

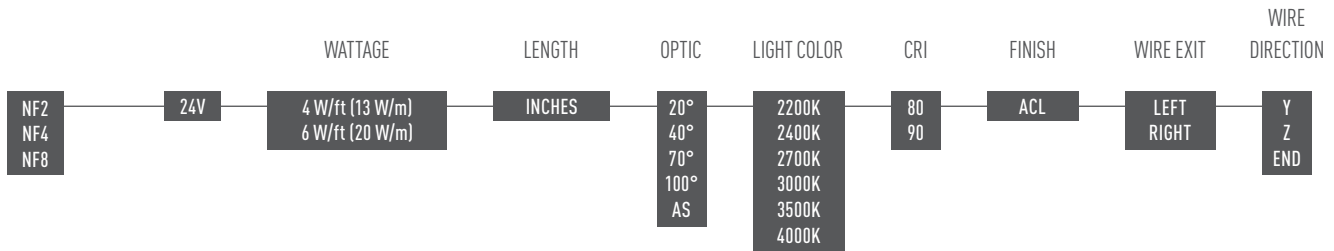
### NIXE FLEX - 4"

inches	mm
8.40	213.3
12.58	319.6
16.77	425.9
20.95	532.2
25.14	638.4
29.32	744.7
33.50	851.0
37.69	957.3
41.87	1063.5
46.06	1169.8
50.24	1276.1
54.42	1382.3
58.61	1488.6
62.79	1594.9
66.98	1701.2
71.16	1807.4
75.34	1913.7

### NIXE FLEX - 8"

inches	mm
16.40	416.5
24.58	624.4
32.77	832.3
40.95	1040.2
49.14	1248.0
57.32	1455.9
65.50	1663.8
73.69	1871.6

## Ordering code model



## Warranty

Our products and relative parts are guaranteed for **three (3)** years.

See our terms and conditions on [www.eklipselighting.com](http://www.eklipselighting.com)





# EKLIPSE

ARCHITECTURAL LIGHTING

Specifications may vary, without altering or reducing product performance.

All information on this document are the sole property of Eclipse™ Architectural Lighting inc.

Reproduction of this document, in whole or in part, without written permission is illegal.

2090 rue Moreau  
Suite 100  
Montréal, QC - H1W 2M3  
Canada

**T** +1 514 590 0099  
**F** +1 514 590 0098  
**INT** 1 877 590 0098

[sales@eklipselighting.com](mailto:sales@eklipselighting.com)  
[www.eklipselighting.com](http://www.eklipselighting.com)