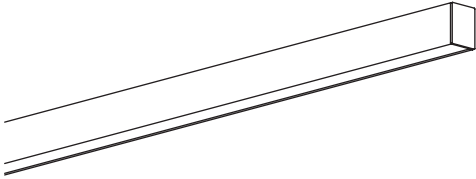


Date \_\_\_\_\_ Specifier \_\_\_\_\_ Project \_\_\_\_\_ Type \_\_\_\_\_

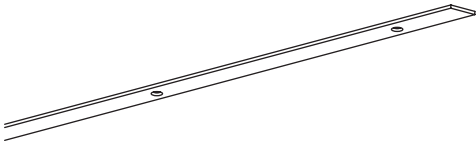
# NIXE

## Package content

**NIXE** fixture(s) (with integrated magnets, if ordered **MIH**)



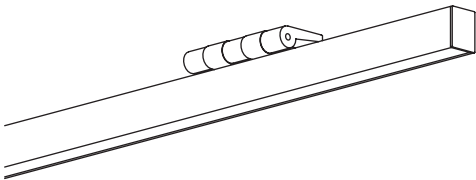
Carbon steel band (if ordered)



Screws **#4 SIZE** (if carbon steel band is ordered)



**NIXE** fixture(s) (with integrated pivoting brackets, if ordered **PILC**)



Screws **#4 SIZE**



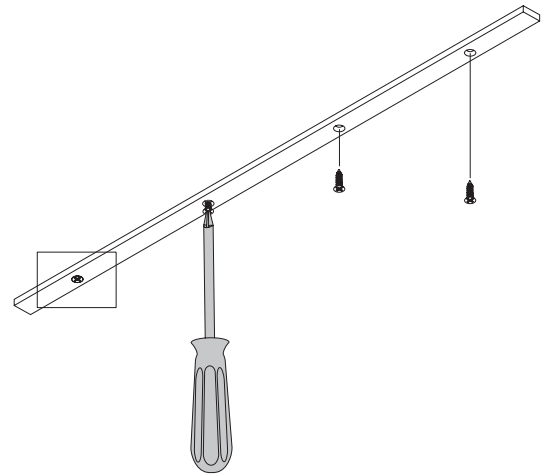
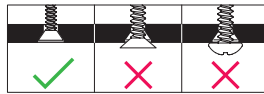
## Installation with magnets

1

Screw the carbon steel band in position.

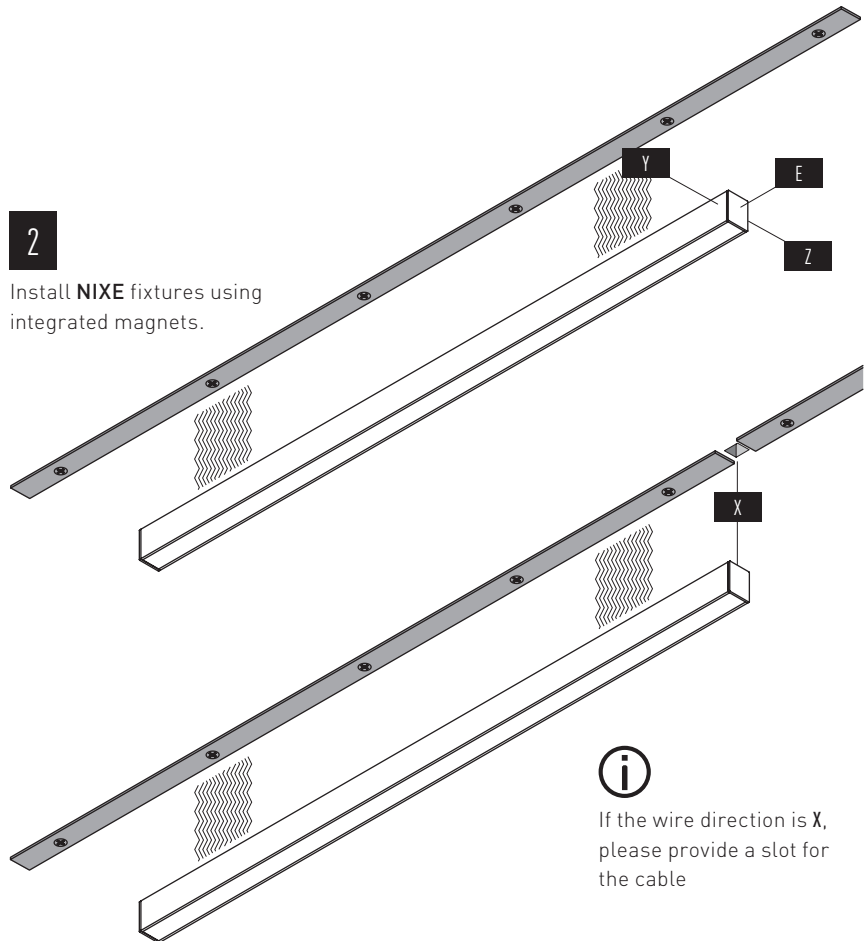


The carbon steel band must be installed in place using only the provided **#4 flat head screws**.

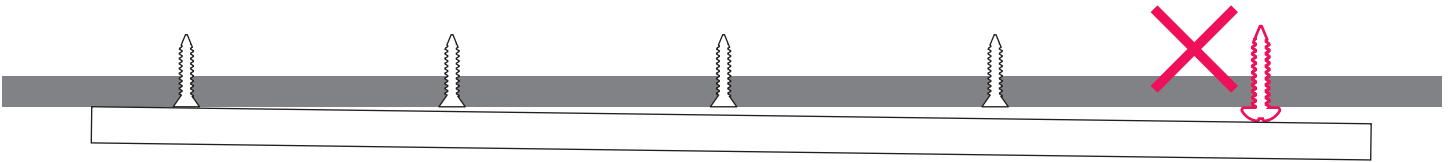


2

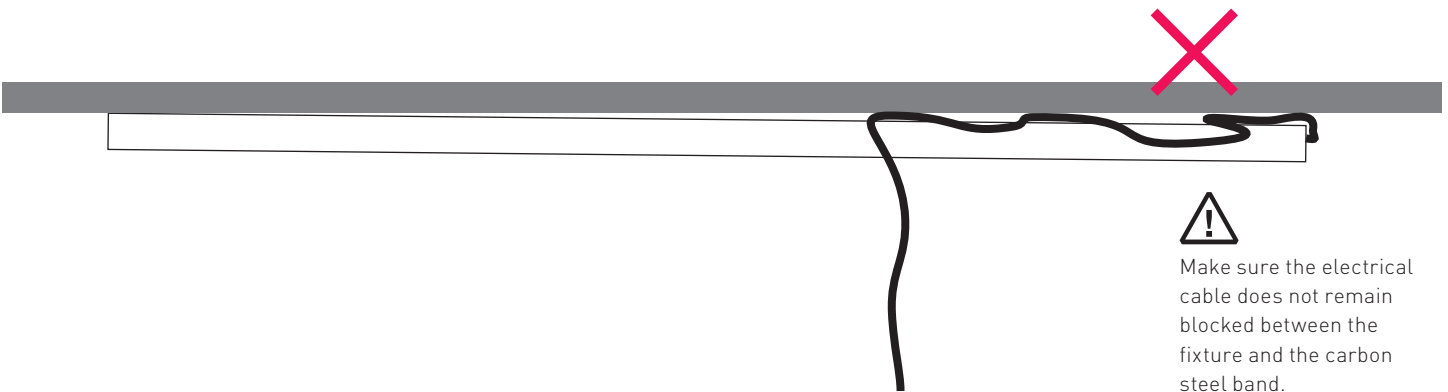
Install **NIXE** fixtures using integrated magnets.



If the wire direction is **X**, please provide a slot for the cable

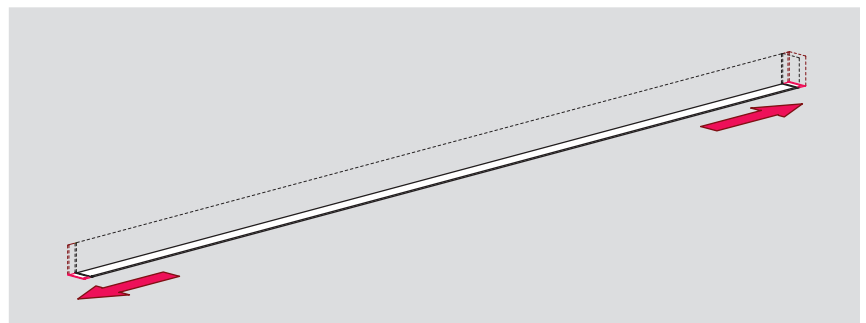
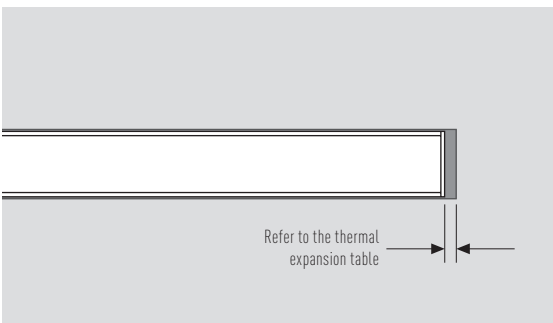


Always use the provided screws. Using a different screw may prevent **NIXE** from laying properly on the mounting band.



Make sure the electrical cable does not remain blocked between the fixture and the carbon steel band.

## Thermal expansion



	Room temperature 68 °F (20 °C)	24h test 128 °F (53 °C)
<b>Aluminium body</b>	24.00" (609mm)	24.02" (610mm)
Total length × 0.000012" ×	60.00" (1524mm)	60.04" (1525mm)
Temperature difference in °F	120.00" (3048mm)	120.09" (3050mm)
	180.00" (4572mm)	180.13" (4575mm)

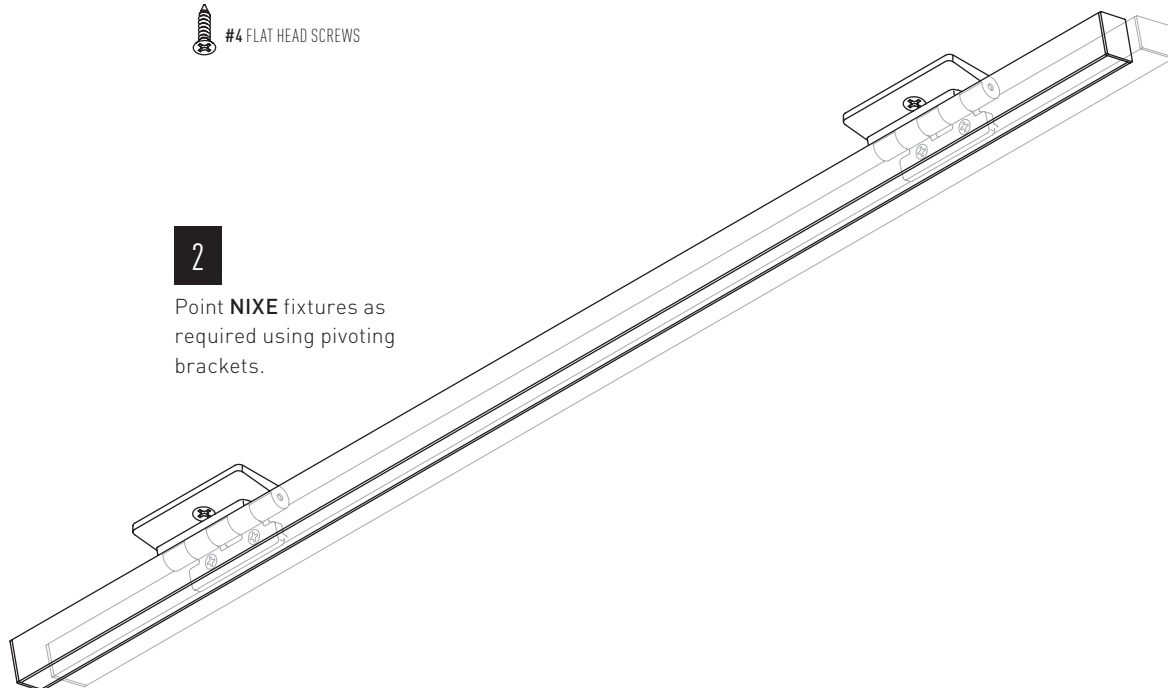
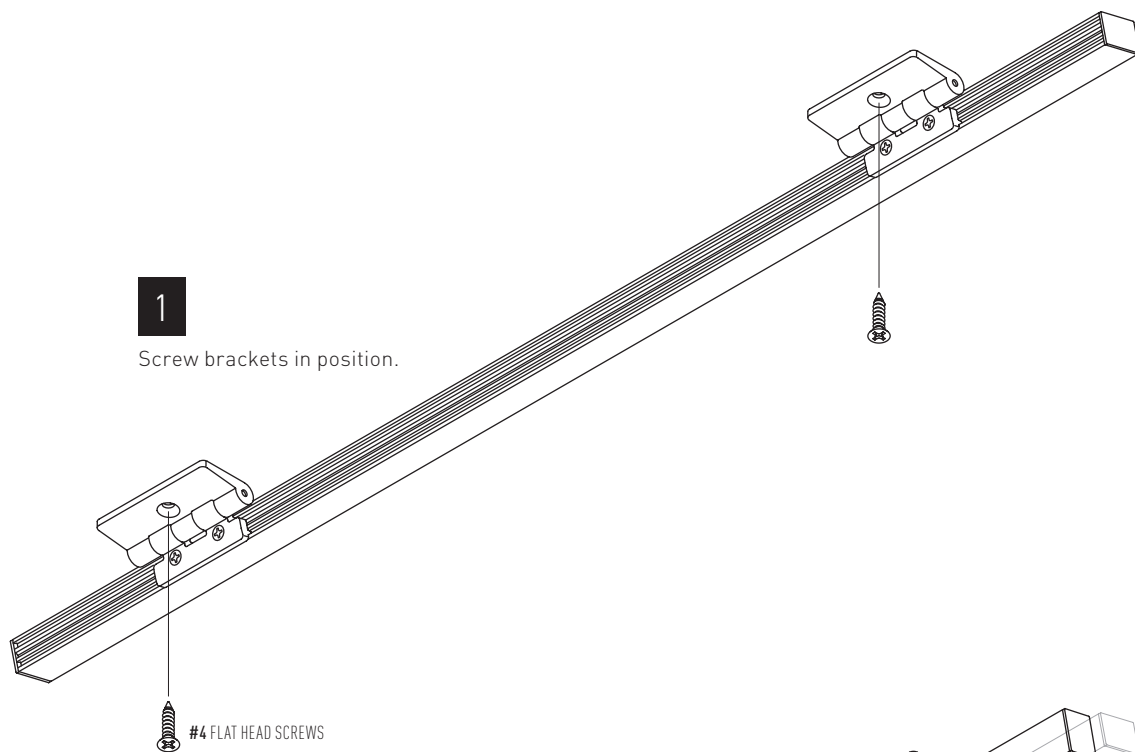


Due to heat from light, the NIXE aluminium body and optics are subject to a normal material expansion.



If the NIXE is installed in a slot, make sure to leave enough distance between the NIXE fixture and the edge of the installation slot in order to allow the expansion.

## Installation with brackets



ARCHITECTURAL LIGHTING **EKLIPSE**

2090 rue Moreau  
Suite 100  
Montréal, QC - H1W 2M3  
Canada

T +1 514 590 0099  
INT 1 877 590 0099  
F +1 514 590 0098  
sales@eklipseighting.com  
www.eklipseighting.com

ROHS COMPLIANT cUL US FC

MADE IN FABRIQUÉ AU CANADA

## Warranty

Our products and relative parts are guaranteed for **three (3) years**. See our terms and conditions on [www.eklipseighting.com](http://www.eklipseighting.com)