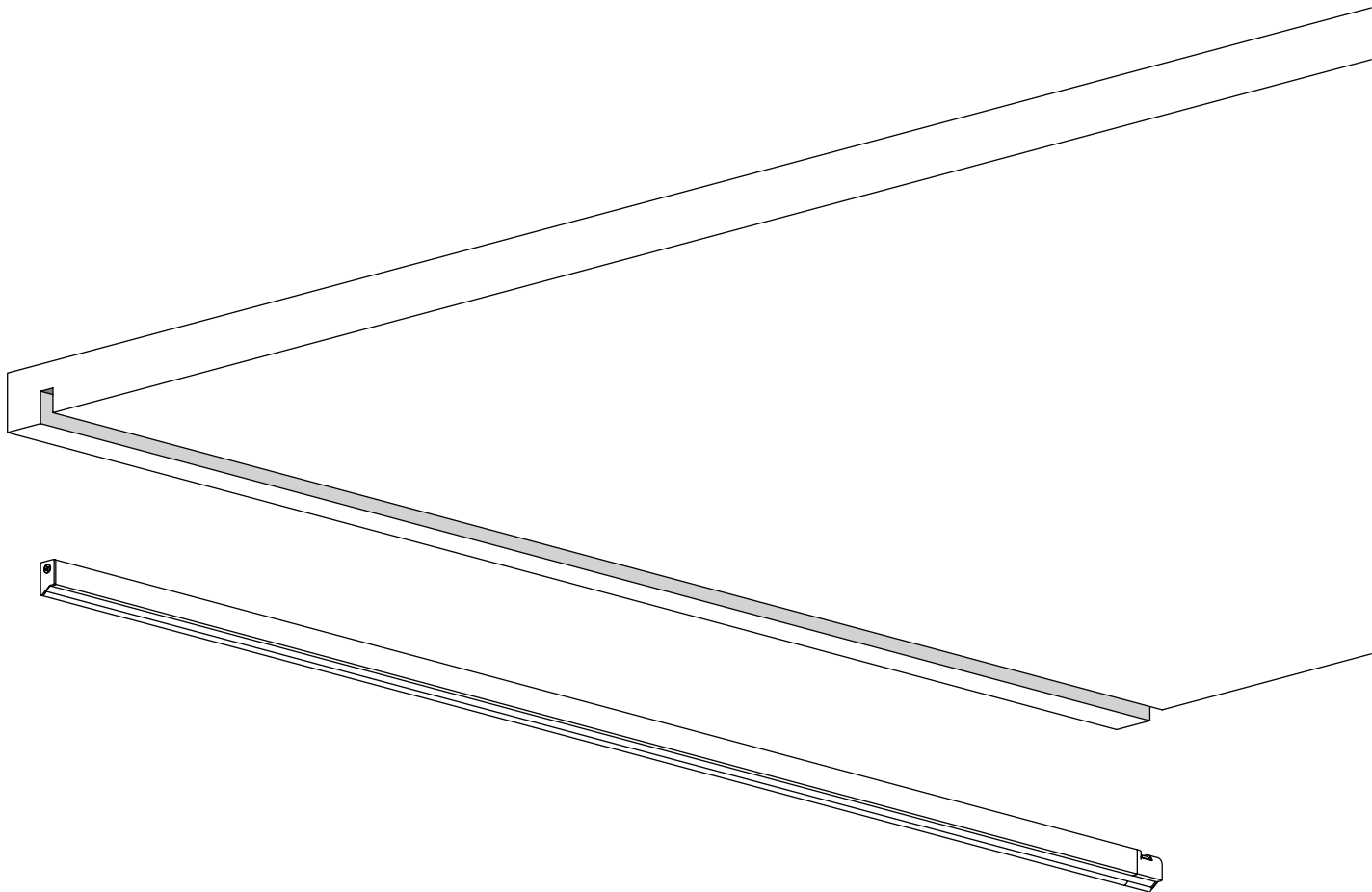


Installation guide

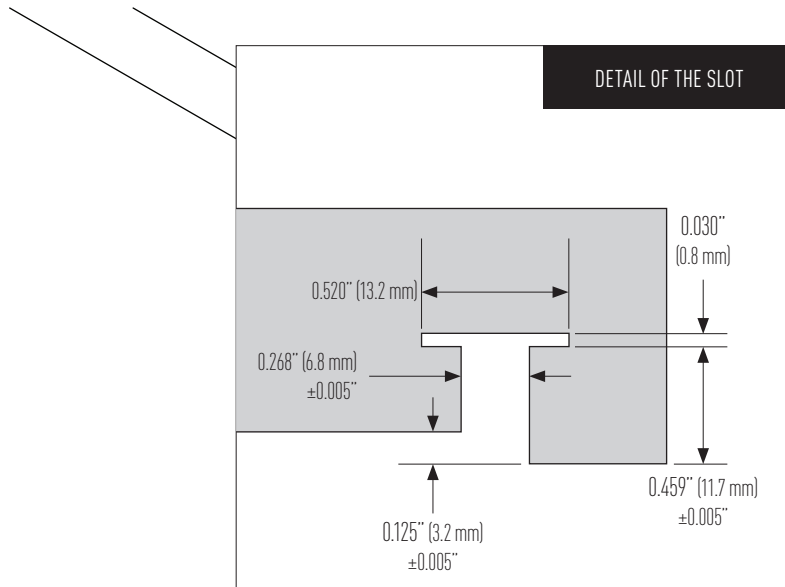
PROXI

Micro linear luminaire

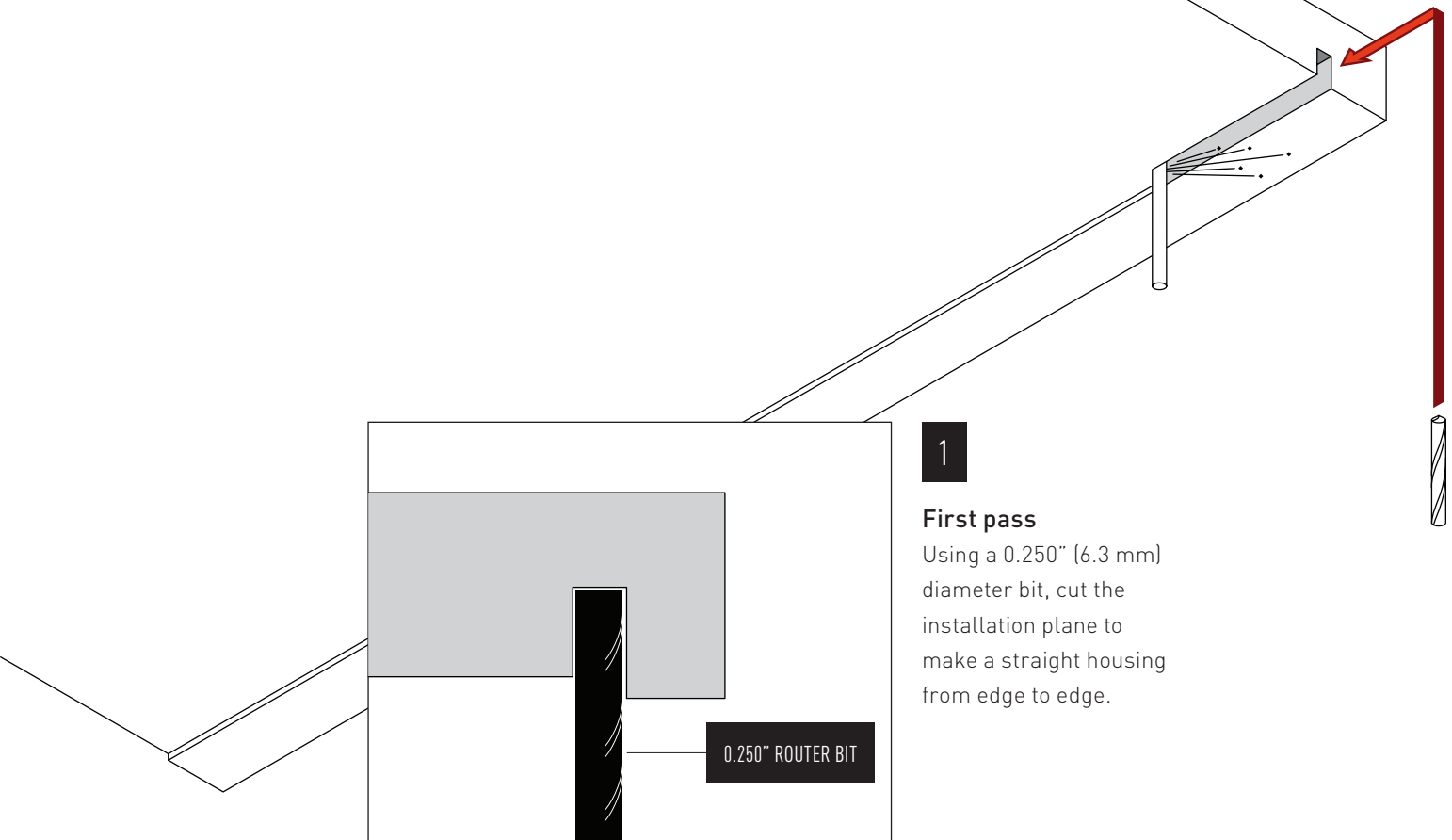


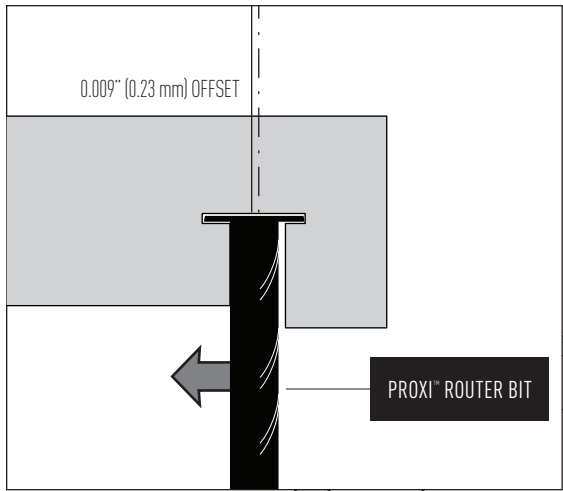
Installation

Preparing the support



The slot to place the PROXI in should correspond to the given dimensions.

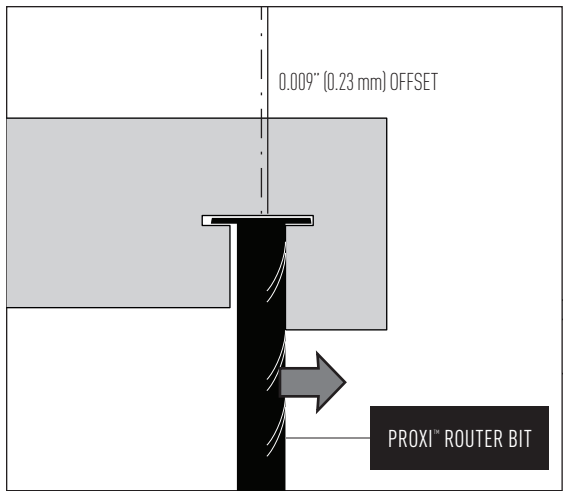




2

Finition pass 1

Using the PROXI ROUTER BIT, provided by Eklipse, cut the installation plane. This operation is the first of 2 passes to create the housing for the metal strip.



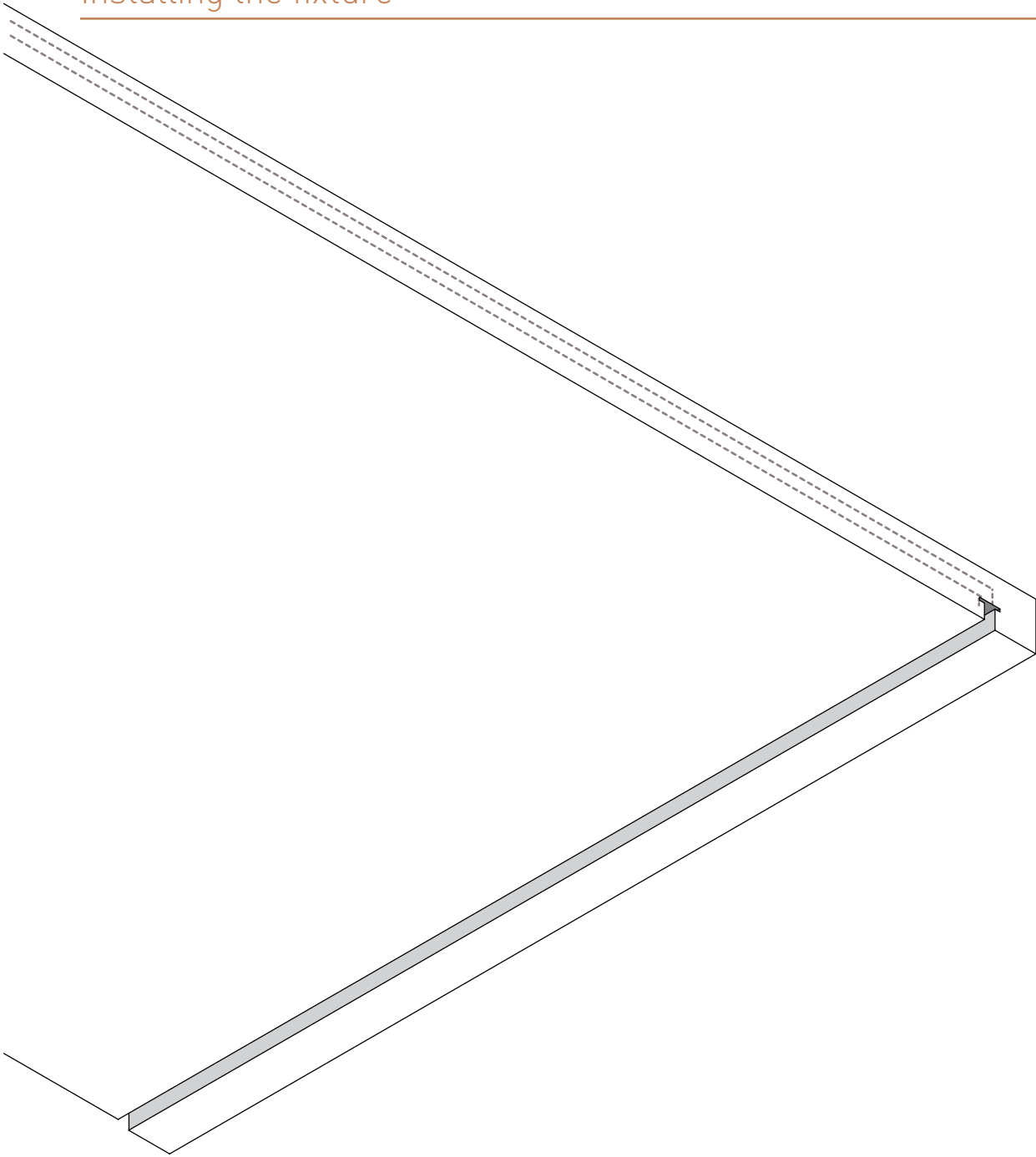
3

Finition pass 2

Make the last cut to complete the housing for the metal strip.



Installing the fixture

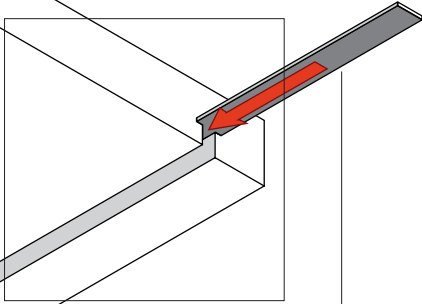


4

Create the channel for the wire passage as required.

5

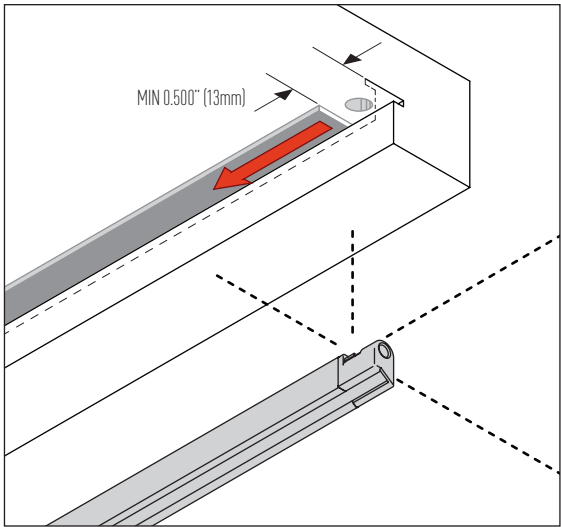
Slide the metal strip, provided by Eklipse, in the slot previously created.



0.020" (0.5mm) THICK METAL STRIP

6

Provide at least 0,500" (13 mm) between edges of the strip and the shelf, in order to leave enough space for the wire.

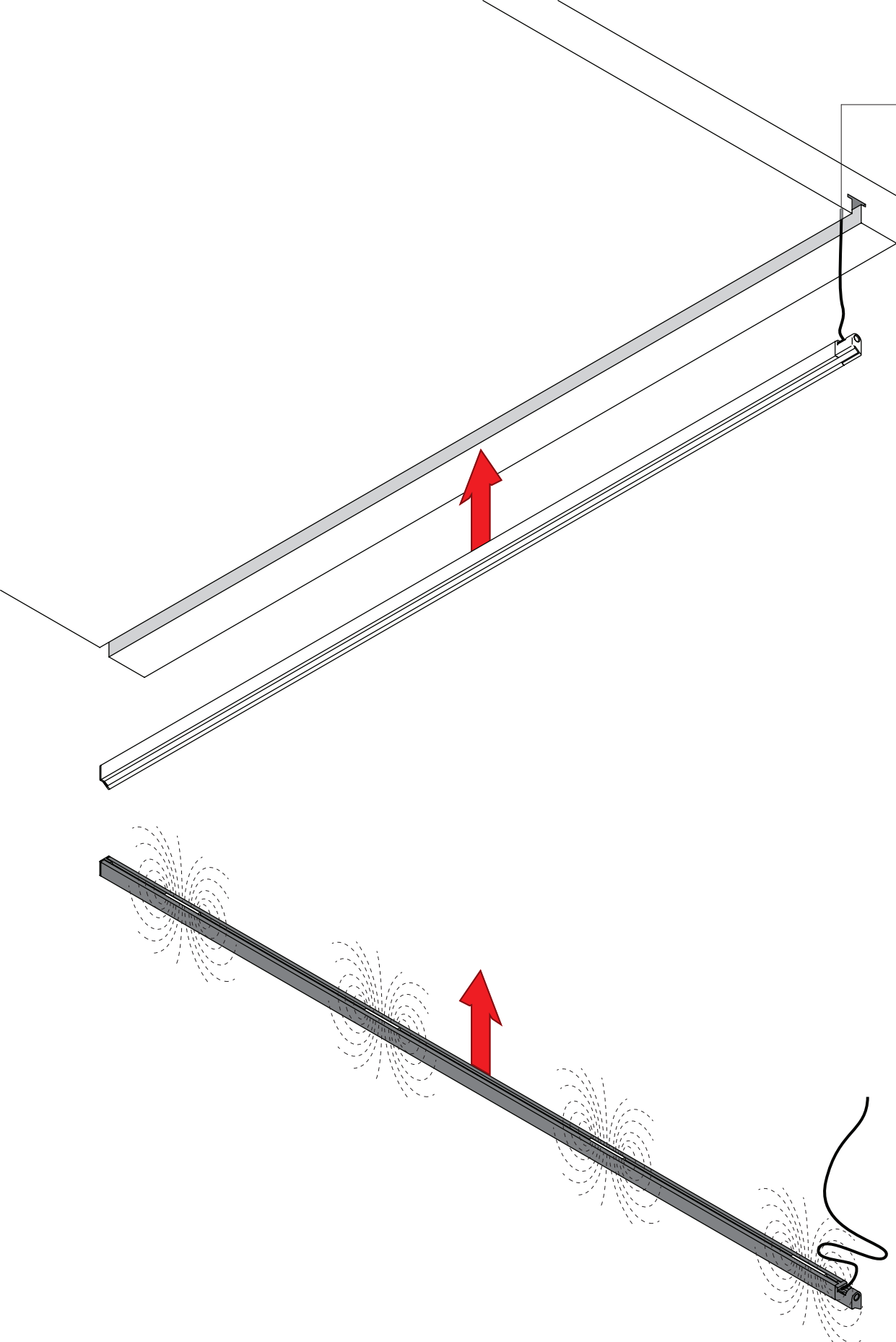
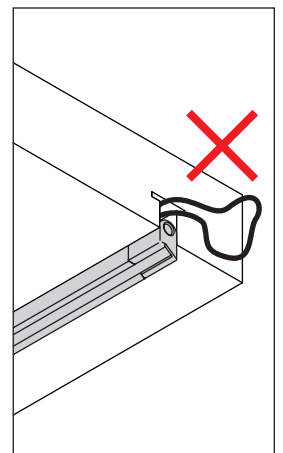


TO THE REMOTE
POWER SUPPLY

7

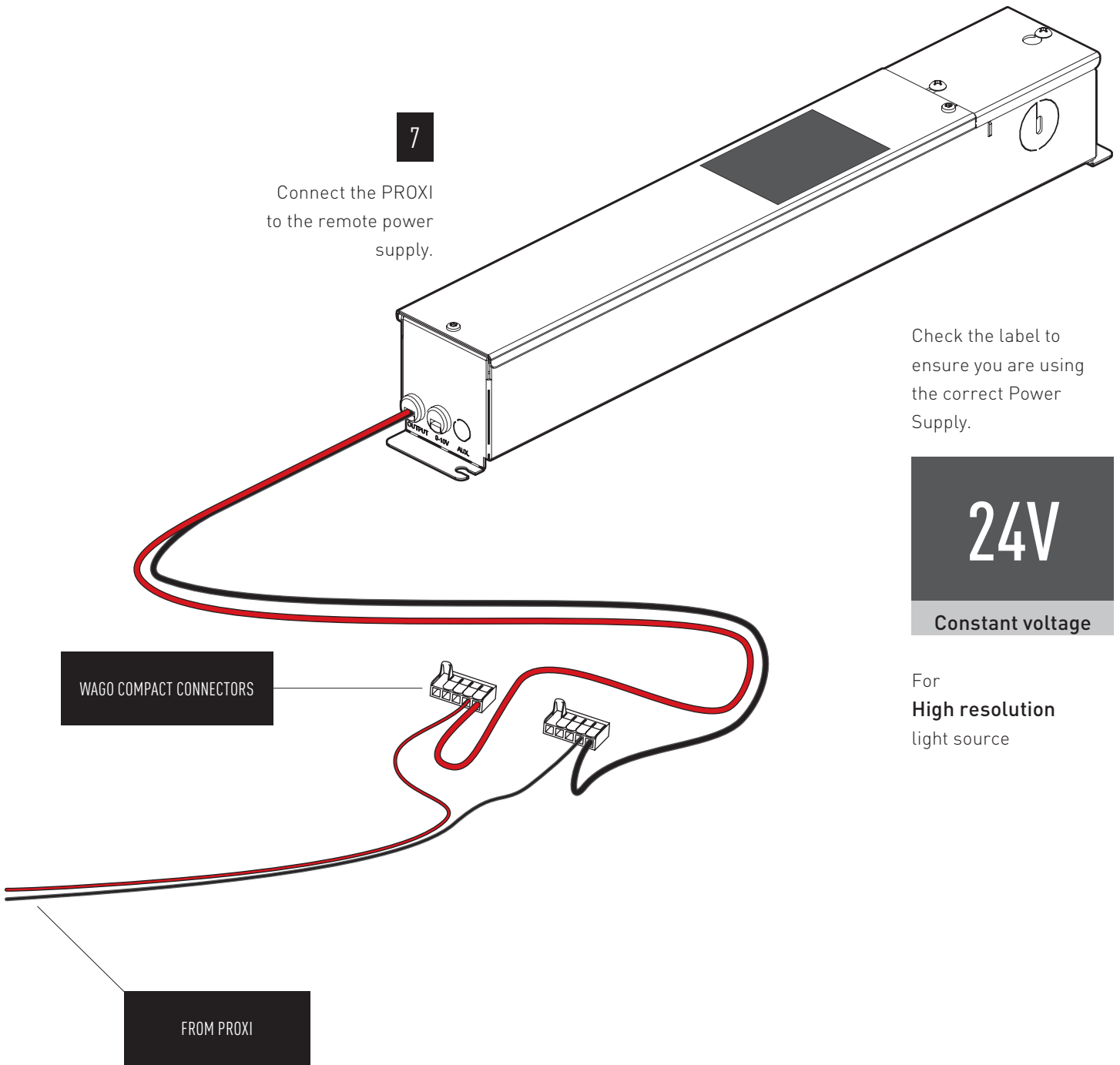
Insert the PROXI in the slot. The magnets on the upper side will firmly fasten the fixture.

Ensure that the cable doesn't prevent proper installation.



7

Connect the PROXI to the remote power supply.



Check the label to ensure you are using the correct Power Supply.

For
High resolution
light source

Maintenance and handling

Cleaning advice

A

Cool down lapse

The luminaire should be turned off **5 minutes** before starting maintenance.



POWER OFF

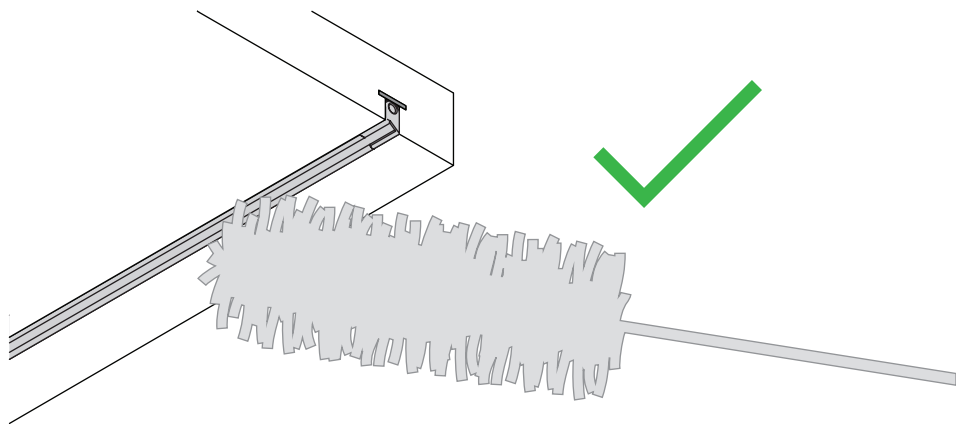


5 MINUTES

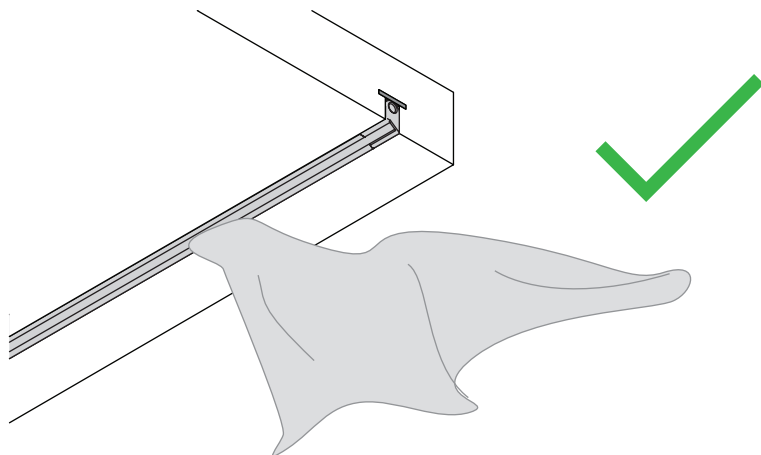
B

External parts cleaning

The luminaire can be maintained using a lambswool, microfiber cloth or a feather based duster.



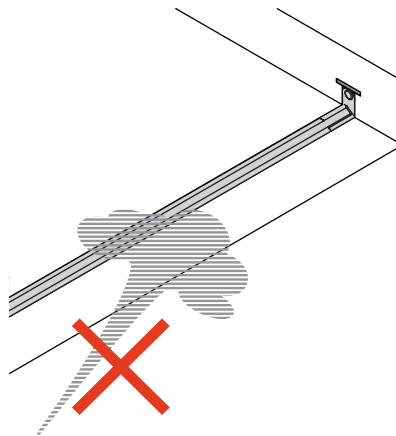
For accumulated dirt and grime, use a **slightly dampened washcloth** avoiding any water accumulation and streaking. **Never use abrasive cleansers.**



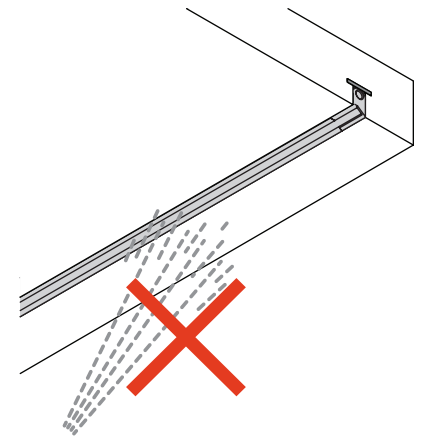
C

Preventive care

When maintaining, **at no time** should the luminaire be cleaned using **steam** or **high temperature liquids** in order to not damage the integrated film.



STEAM



HIGH TEMPERATURE LIQUID



EKLIPSE

ARCHITECTURAL LIGHTING

Specifications may vary, without altering or reducing product performance.

All information on this document are the sole property of Eclipse™ Architectural Lighting inc.

Reproduction of this document, in whole or in part, without written permission is illegal.

2090 rue Moreau
Suite 100
Montréal, QC - H1W 2M3
Canada

T +1 514 590 0099
F +1 514 590 0098
INT 1 877 590 0098

sales@eklipselighting.com
www.eklipselighting.com