

Date _____ Specifier _____ Project _____ Type _____

ADENA ROUND



Protected by U.S. Patent
 10,595,650

Patented unparallelled glare control for optical ease and enjoyment

Incomparable space-volume light coverage

Available in two dedicated optical distributions for enhanced presentation

Application



Cabinet and display stand



Asymmetric lighting

Light output

Standard light output

(Based on below reference configuration)

Reference configuration			Reference LFD		Efficacy
CCT	CRI	FINISH	W/ft	Lum. Flux Density (LFD)	
3500K	80	PC	7.5	630 lm/ft (2070 lm/m)	86 lm/W

Total Light Loss Factor (TLLF) calculation

CCT/CRI table					
CCT	CRI	LLF	CCT	CRI	LLF
2700K	80	0.96	3500K	80	1.00
3000K	80	1.00	4000K	80	1.03

CCT/CRI LLF = TLLF

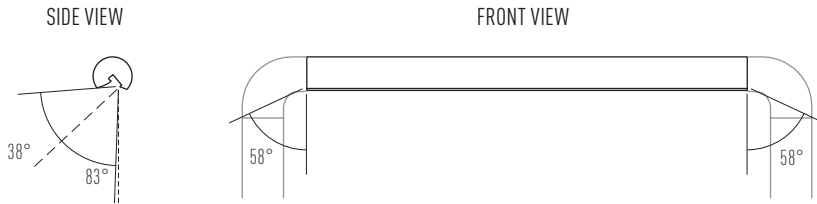
Actual light output

Example configuration		Reference LFD		Actual LFD
CCT	CRI	W/ft	Lum. Flux Density (LFD)	Lum. Flux Density (LFD)
4000K	80	7.5	630 lm/ft (2070 lm/m)	650 lm/ft (2130 lm/m)
1.03		=		TLLF 1.03

Optical distributions

Distinct DIS 12V

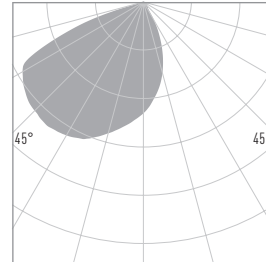
LIGHT BEAM



PERCEPTION OF UNIFORMITY



LIGHT DISTRIBUTION



Beam angle 83°
Tilt angle 38°
Ext. spread 65°

297 Cd, 633 delivered lumens @12"

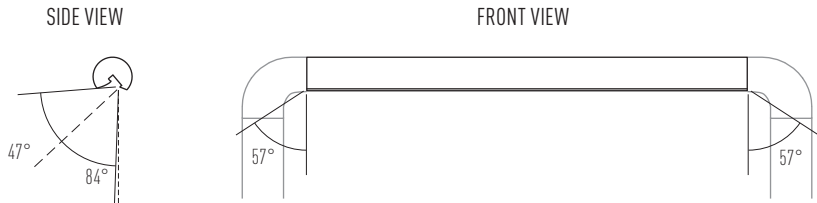
LIGHT APPLICATION



Best suitable for multifaceted jewelry and crystal.

High-Resolution HR 24V

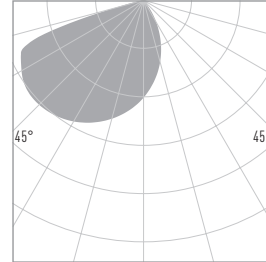
LIGHT BEAM



PERCEPTION OF UNIFORMITY



LIGHT DISTRIBUTION



Beam angle 84°
Tilt angle 47°
Ext. spread 65°

294 Cd, 632 delivered lumens @12"

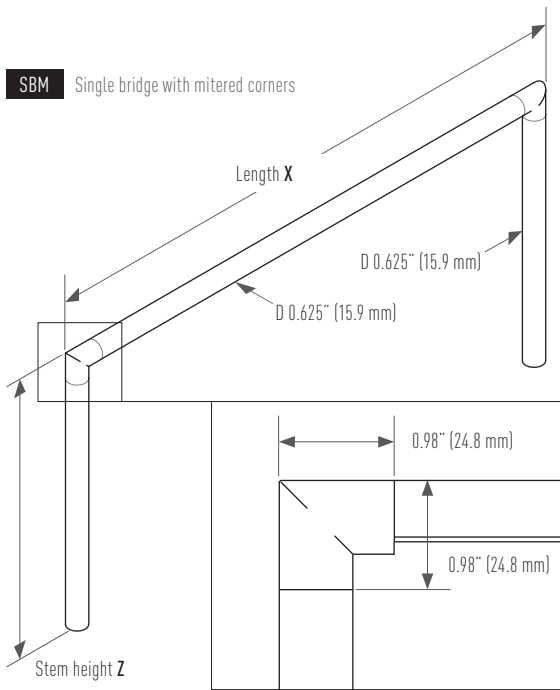
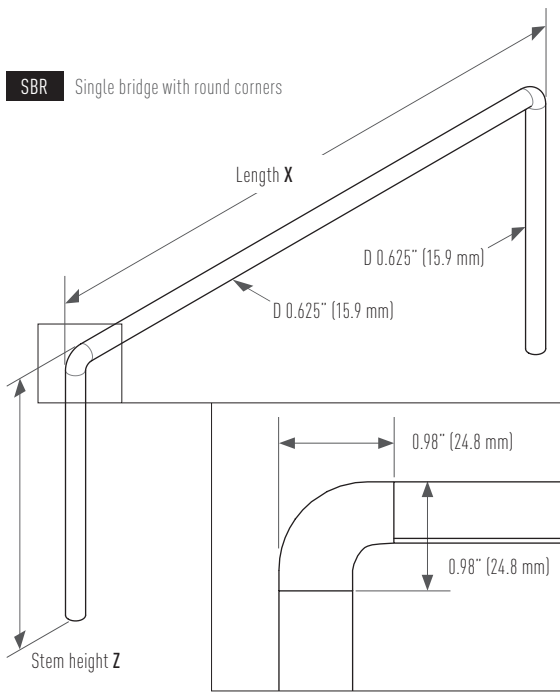
LIGHT APPLICATION



Best suitable for reflective surfaces, fabric and leather.

Physical

GENERAL DIMENSIONS



Finish

ABK Matte black



MW Matte white



PC Polished chrome



PN Polished nickel



PB Polished brass



BB Brushed brass



PBKN Polished black nickel



PG Polished gold



Construction

Aluminium body

Weight

Fixture 0.23 lbs/ft (345 g/m)

Stem 0.26 lbs/ft (390 g/m)

Dimensions specifications

Length 10.0" to 56.0" or 74.0"

(depending on finish, see below)

Height 3.0" to 12.0" (limited by design)

All customizable in 0.1" increments

(see table on last page for metric equivalences)

Ingress protection

IP40

Operating ambient temperature

0 °C to 40 °C

Storage temperature

0 °C to 40 °C at 50% humidity.

Electrical

i This product is a **DC LED Lighting Module**. The following are required to operate as a complete system – to order separately:

Power Supply

12 VDC (Distinct) or 24 VDC (High-Resolution)
Constant Voltage | PWM (if dimmable) | Remote Installation

Recommended driver: Eclipse Light Manager LM-12V-60W-[...] or LM-24V-100W-[...] (depending on product light source)
[1% dim in 0-10V / DALI / Ecosystem]

MODULE CURRENT REGULATION

PASSIVE

DRIVER COMPATIBILITY

UNIVERSAL*

**following driver spec. req., works with all models*

Input Voltage 12 VDC in Constant Voltage (Distinct optical distribution)
24 VDC in Constant Voltage (High-Resolution optical distribution)

Power Density 7.5 W/ft (24 W/m)

Dimming Capable of operating down to 0.1%
[depends on driver performance/limitations]

Wiring Red(+)/Black(-) wires, 12"-long, 22 AWG, UL Listed, AWM style 1118, polarized.

Safety Information cULus Listed, CE, SELV, Class 2, Dry Location

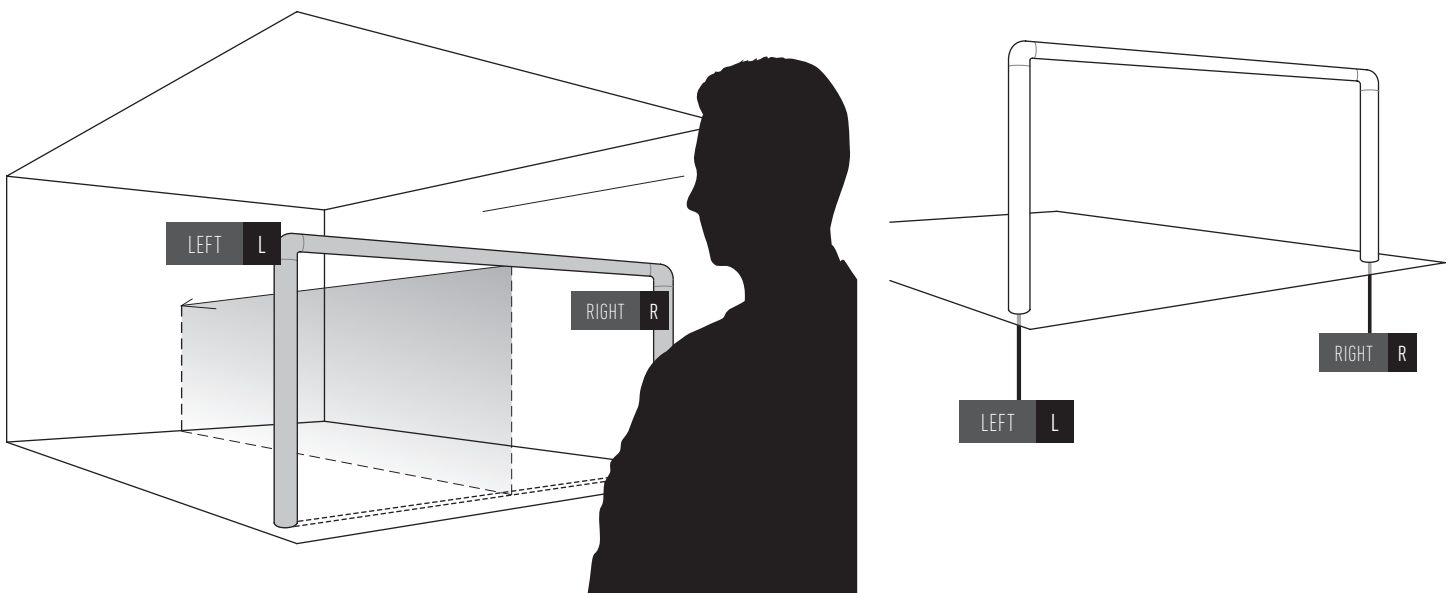
Installation Install/connect before powering on. Screw/Nuts mounted installation using included hardware, wires and convenient Wago 221 connectors. Safe for skin contact during operation, although some users may feel discomfort. Power off before maintenance.

Cable limit Voltage loss tolerance due to remote driver cable course, up to -2.5 Volts. See **LIGHT MANAGER** spec for max. cable length table per AWG.

Applications Designed for showcases, displays for retail/commercial, museum and exhibits and similar applications.

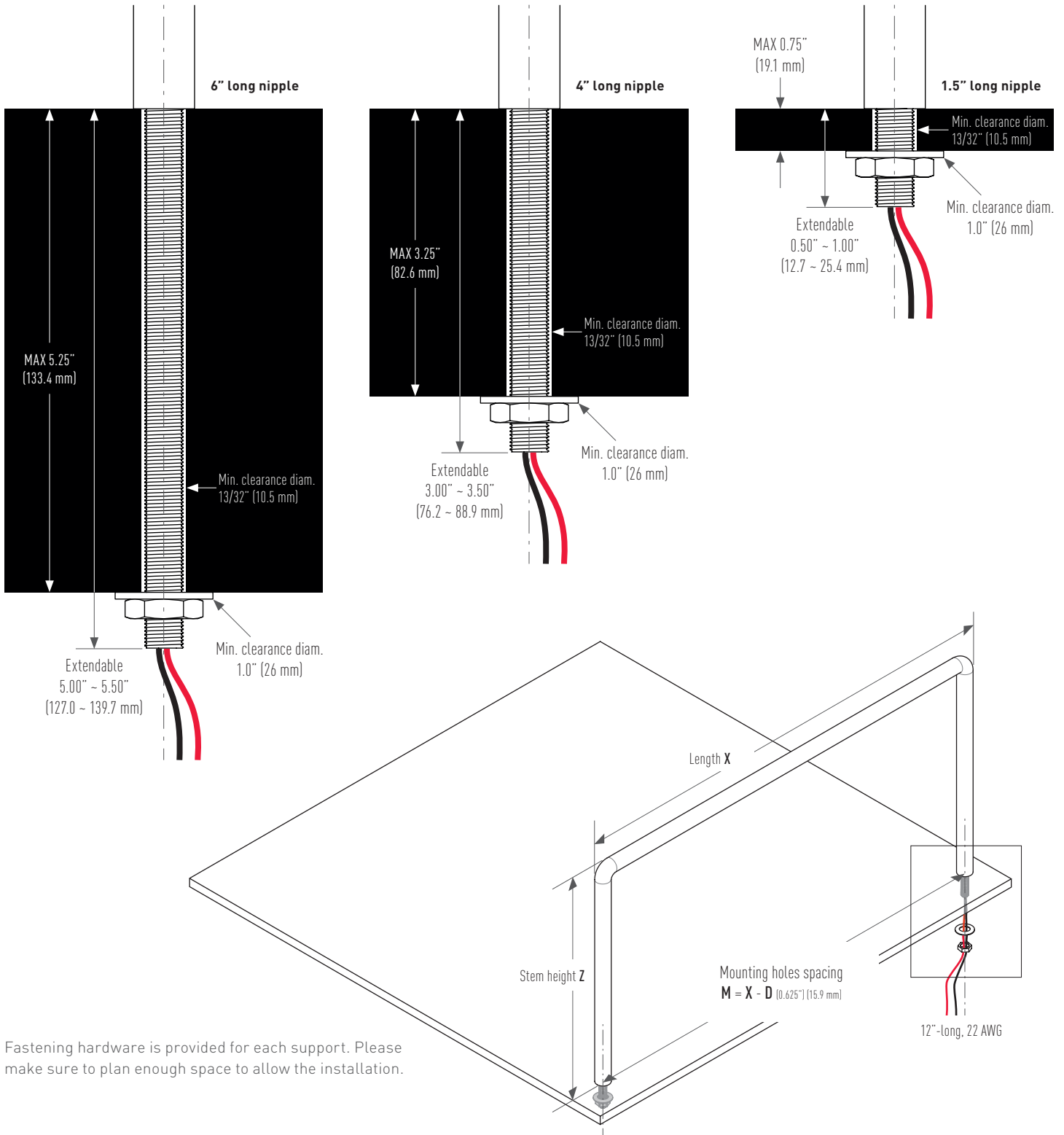
Wiring options

WIRE EXIT



In asymmetric beams, left and right are set in relation to the light going away from your sight.

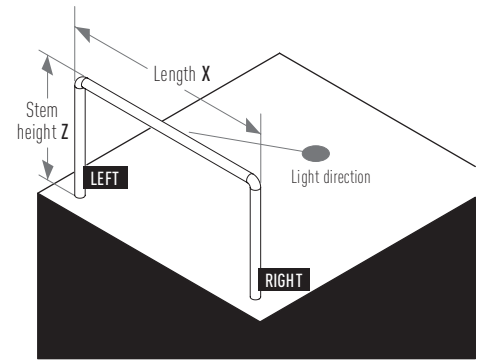
Integration overview



Fastening hardware is provided for each support. Please make sure to plan enough space to allow the installation.

Single Bridge - Distinct ordering code

PRODUCT			CORE OPTIONS								EXTENDED OPTIONS		
ID	CONSTRUCTION TEMPLATE	LIGHT EFFECT	INPUT	OUTPUT	FINISH	CCT	CRI	LENGTH	STEM HEIGHT	NIPPLE LENGTH	NUMBER OF STEMS	WIRE EXIT	WIRE LENGTH
ADR	SBR	DIS	12V	7.5W	ABK	3000K	80	10.0 to 74.0	3.0 to 12.0	1.5	2	L	12
ADR	SBM	DIS			MW	3500K	80	In inches	In inches	4.0		R	CUSTOM
ADENA ROUND	SBR	Distinct			PC	4000K	80	Available finishes: ABK, MW, PC, PN	Z is the end-to-end height of the fixture, customizable in increments of 0.1".	6.0			In inches
	SBM				PN			10.0 to 56.0					
					PB			Available finishes: PB, BB, PBKN, PG	X is the end-to-end length of the fixture, customizable in increments of 0.1".				
					BB								
					PBKN								
					PG								

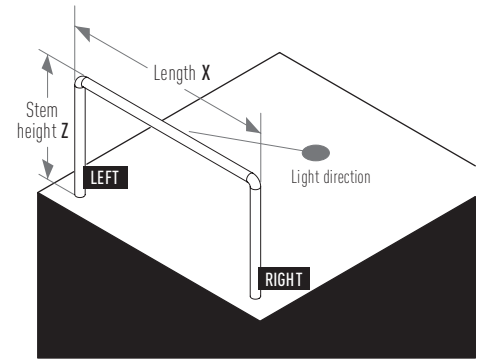


EXAMPLE	ORDERING CODE											
	ADR	SBR	DIS	12V	7.5W	PB	3500K80	Length X (INCHES)	Height Z (INCHES)	INCHES		INCHES

- ABK** Matte black
- MW** Matte white
- PC** Polished chrome
- PN** Polished nickel
- PB** Polished brass
- BB** Brushed brass
- PBKN** Polished black nickel
- PG** Polished gold

Single Bridge - High Resolution ordering code

PRODUCT			CORE OPTIONS								EXTENDED OPTIONS		
ID	CONSTRUCTION TEMPLATE	LIGHT EFFECT	INPUT	OUTPUT	FINISH	CCT	CRI	LENGTH	STEM HEIGHT	NIPPLE LENGTH	NUMBER OF STEMS	WIRE EXIT	WIRE LENGTH
ADR	SBR	HR	24V	7.5W	ABK	3000K	80	10.0 to 74.0	3.0 to 12.0	1.5	2	L	12
ADR	SBM	HR			MW	3500K	80	In inches	In inches	4.0		R	CUSTOM
ADENA ROUND	SBR	High Resolution			PC	4000K	80	Available finishes: ABK, MW, PC, PN	Z is the end-to-end height of the fixture, customizable in increments of 0.1".	6.0			In inches
	SBM				PN			10.0 to 56.0					
					PB			Available finishes: PB, BB, PBKN, PG	X is the end-to-end length of the fixture, customizable in increments of 0.1".				
					BB								
					PBKN								
					PG								



ORDERING CODE	ADR	SBR	DIS	12V	7.5W	PB	3500K80	Length X (INCHES) 27.5	Height Z (INCHES) 10	INCHES 4.0	2	INCHES L12

- ABK
Matte black
- MW
Matte white
- PC
Polished chrome
- PN
Polished nickel
- PB
Polished brass
- BB
Brushed brass
- PBKN
Polished black nickel
- PG
Polished gold

ARCHITECTURAL LIGHTING **EKLIPSE**

2090 rue Moreau
 Suite 100
 Montréal, QC - H1W 2M3
 Canada

T +1 514 590 0099
 INT 1 877 590 0099
 F +1 514 590 0098
 sales@eklipselighting.com
 www eklipselighting.com



Warranty

Our products and relative parts are guaranteed for **three (3) years**. See our terms and conditions on www eklipselighting.com