

Date \_\_\_\_\_ Specifier \_\_\_\_\_ Project \_\_\_\_\_ Type \_\_\_\_\_

# ADENA SQUARE



Protected by  
 U.S. Patent  
 10,595,650

**Patented light distribution for enhanced presentation**

**Unparalleled glare control for optical ease and enjoyment**

**Incomparable space filling light coverage and uniformity**

## Application



Cabinet and display stand



Asymmetric lighting

## Light output

### Standard light output

(Based on below reference configuration)

Reference configuration		Reference LFD		Efficacy
CCT	CRI	W/ft	Lum. Flux Density (LFD)	
3500K	80	7.5	475 lm/ft (1558 lm/m)	66 lm/W

### Total Light Loss Factor (TLLF) calculation

CCT/CRI table					
CCT	CRI	LLF	CCT	CRI	LLF
2700K	80	0.96	3500K	80	1.00
3000K	80	1.00	4000K	80	1.03

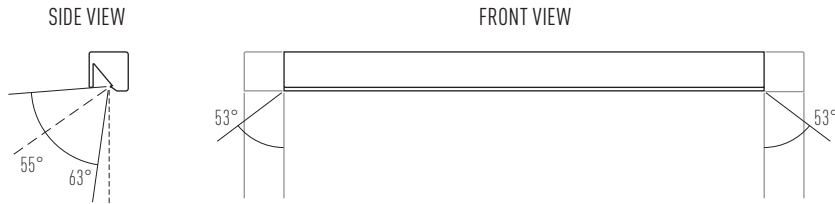
CCT/CRI LLF = TLLF

### Actual light output

Example configuration		Reference LFD		Actual LFD
CCT	CRI	W/ft	Lum. Flux Density (LFD)	Lum. Flux Density (LFD)
2700K	80	7.5	475 lm/ft (1558 lm/m)	456 lm/ft (1496 lm/m)
0.96		= TLLF 0.96		

## Optical distributions

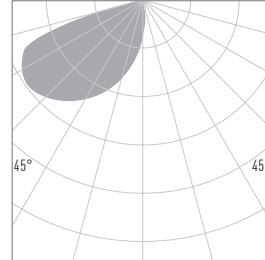
### LIGHT BEAM



### PERCEPTION OF UNIFORMITY



### LIGHT DISTRIBUTION



Beam angle  $63^\circ$   
Tilt angle  $55^\circ$   
Ext. spread  $53^\circ$

348 Cd, 475 delivered lumens @12"

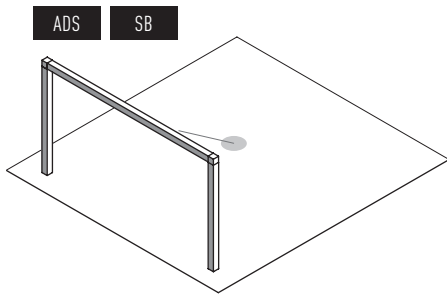
### LIGHT APPLICATION



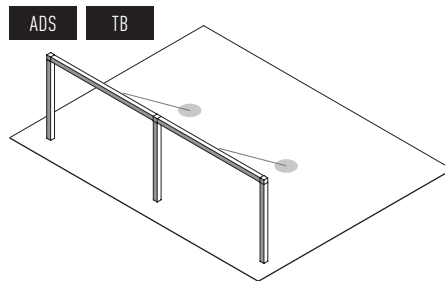
Best suitable for multifaceted jewelry and crystal.

## Construction templates

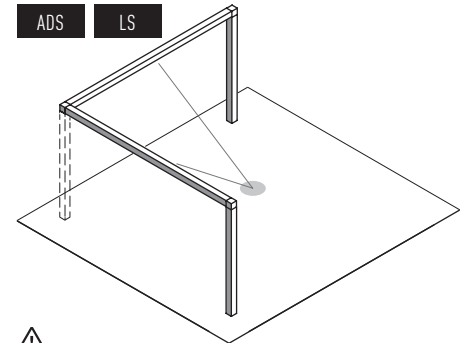
SINGLE BRIDGE



T-BRIDGE

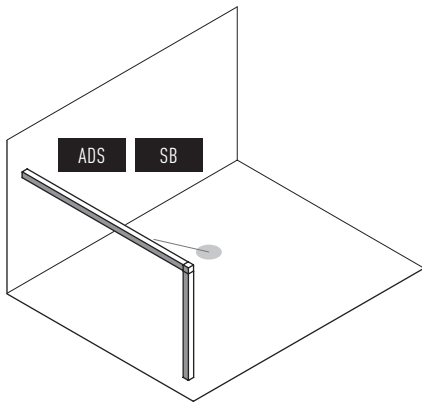


L-SHAPE

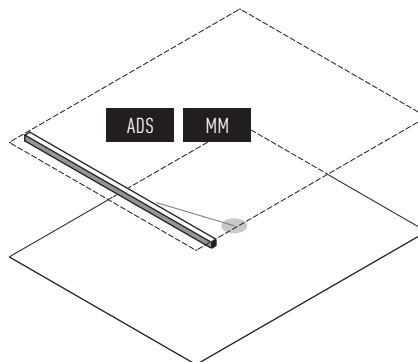


2-stem construction is available for fixture lengths up to 16" x 16" (400mm x 400mm). 3-stem construction is the default for larger dimensions.

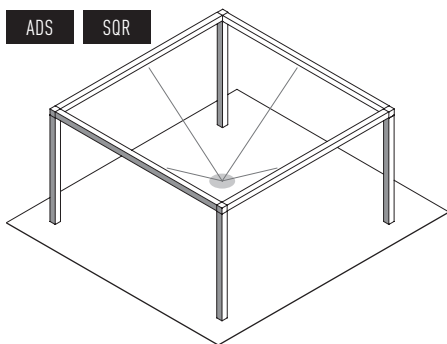
UNISTEM



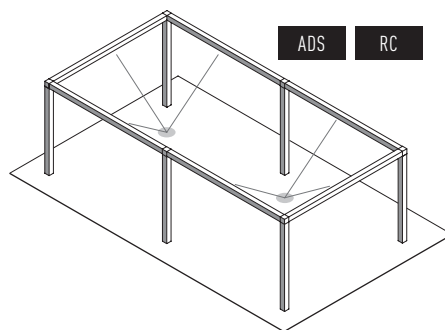
MAGNETIC MOUNT



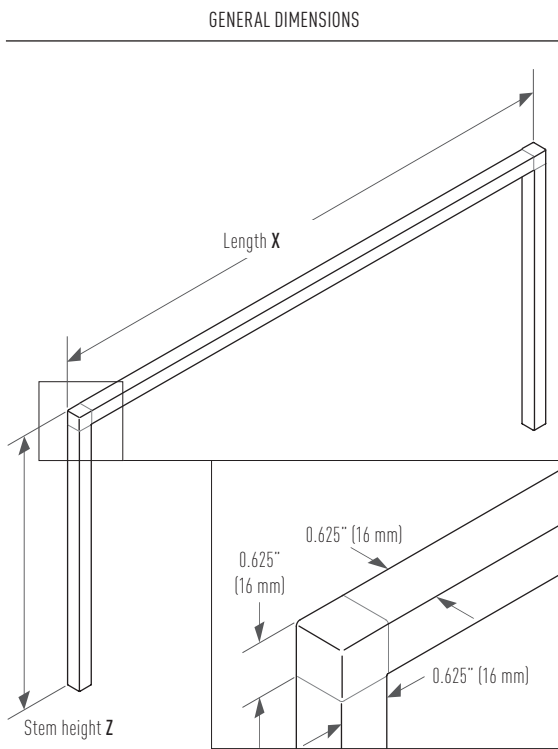
SQUARE



RECTANGLE

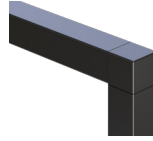


## Physical

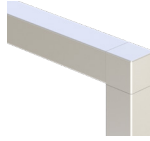


### Finish

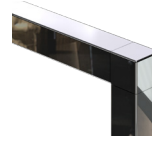
**ABK** Matte black



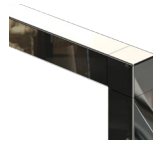
**MW** Matte white



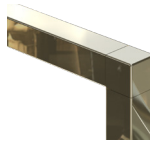
**PC** Polished chrome



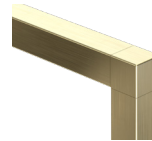
**PN** Polished nickel



**PB** Polished brass



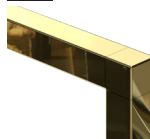
**BB** Brushed brass



**PBKN** Polished black nickel



**PG** Polished gold



### Construction

Aluminium body

### Weight

Fixture 0.33 lbs/ft (490 g/m)

Stem 0.31 lbs/ft (460 g/m)

### Dimension specifications

Lengths by construction and finish,

(see ordering codes templates below).

Height 3.0" to 12.0" (limited by design)

All customizable in 0.1" increments.

### Ingress protection

IP40

### Operating ambient temperature

0 °C to 40 °C

### Storage temperature

0 °C to 40 °C at 50% humidity.

## Electrical

**i** This product is a **DC LED Lighting Module**. The following are required to operate as a complete system – to order separately:

**Power Supply**

12 VDC | Constant Voltage | PWM (if dimmable) | Remote Installation

**Recommended driver:** Eclipse Light Manager LM-12V-60W-(...)

[1% dim in 0-10V / DALI / Ecosystem]

MODULE CURRENT REGULATION

**PASSIVE**

DRIVER COMPATIBILITY

**UNIVERSAL\***

\*following driver spec. req., works with all models

**Input Voltage** 12 VDC in Constant Voltage (Distinct optical distribution)

**Power Density** 7.5 W/ft (24 W/m)

**Dimming** Capable of operating down to 0.1%

*[depends on driver performance/limitations]*

**Wiring** Red(+)/Black(-) wires, 12"-long, 22 AWG, UL Listed, AWM style 1118, polarized.

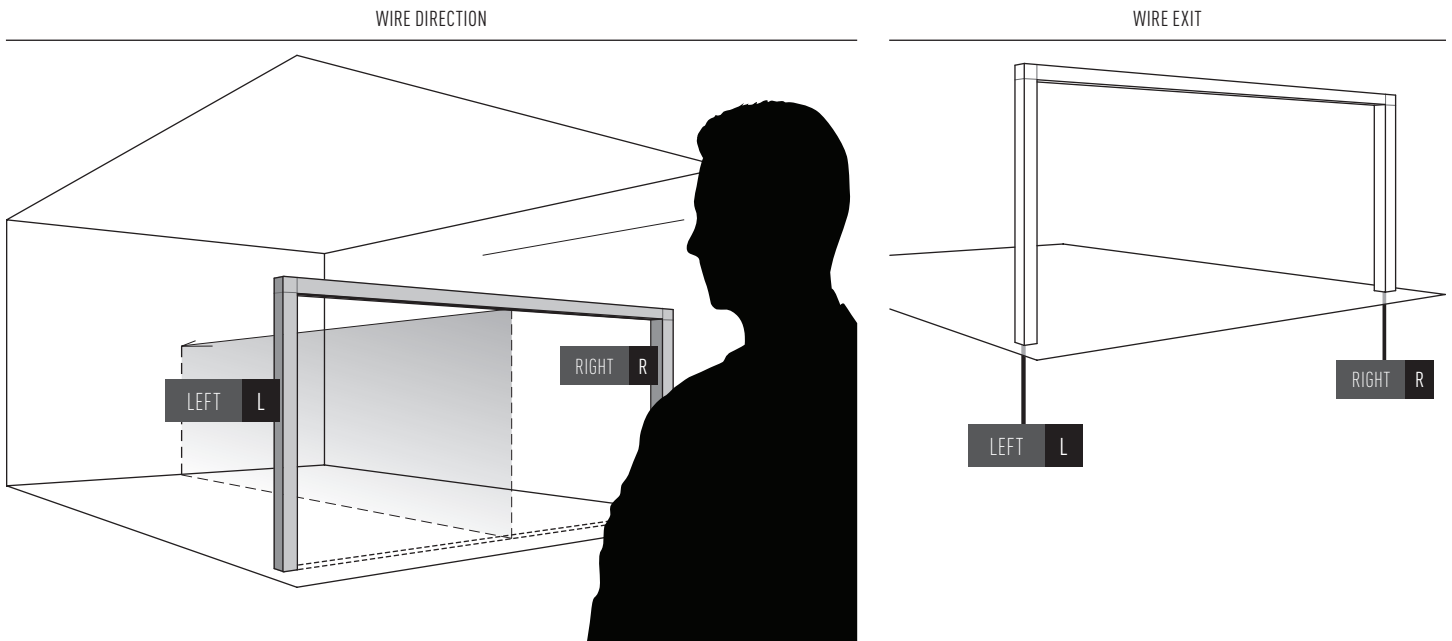
**Safety Information** cULus Listed, CE, SELV, Class 2, Dry Location

**Installation** Install/connect before powering on. Screw/Nuts mounted installation using included hardware, wires and convenient Wago 221 connectors. Safe for skin contact during operation, although some users may feel discomfort. Power off before maintenance.

**Cable limit** Voltage loss tolerance due to remote driver cable course, up to -2.5 Volts. See **LIGHT MANAGER** spec for max. cable length table per AWG.

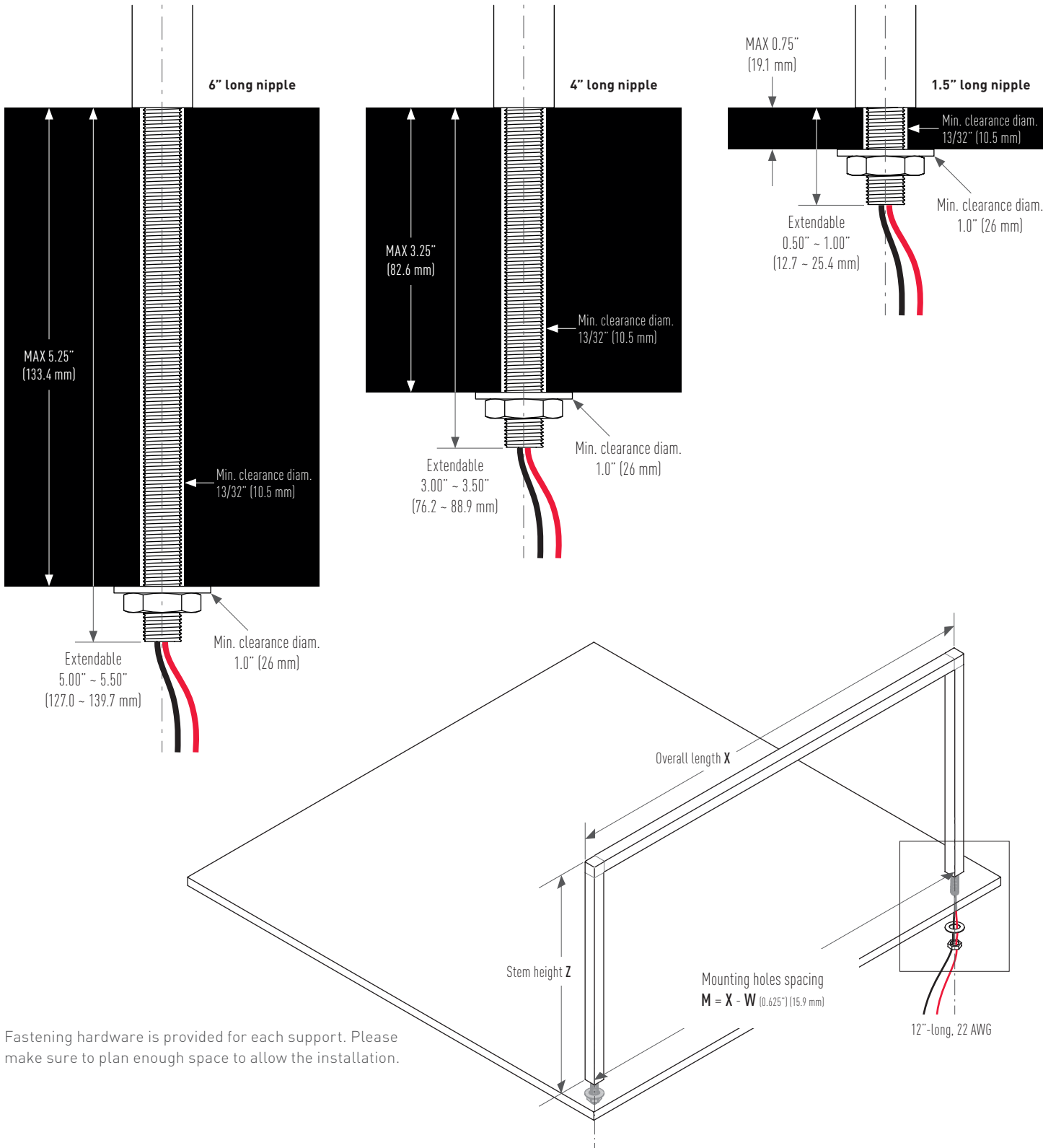
**Applications** Designed for showcases, displays for retail/commercial, museum and exhibits and similar applications.

## Wiring options



In asymmetric beams, left and right are set in relation to the light going away from your sight.

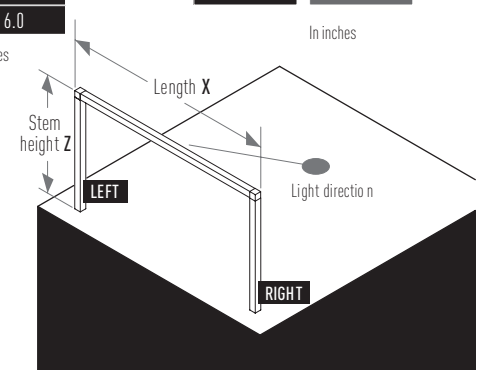
## Integration overview



Fastening hardware is provided for each support. Please make sure to plan enough space to allow the installation.

## Single bridge ordering code

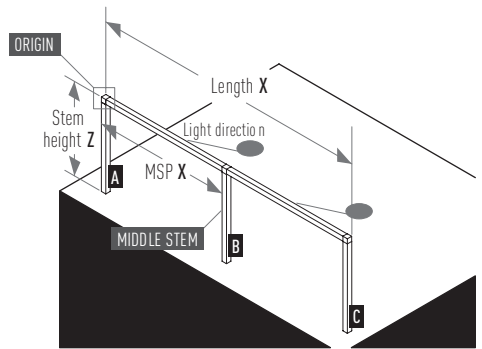
PRODUCT		CORE OPTIONS								EXTENDED OPTIONS		
ID	CONSTRUCTION TEMPLATE	INPUT	OUTPUT	FINISH	CCT	CRI	LENGTH	STEM HEIGHT	NIPPLE LENGTH	NUMBER OF STEMS	WIRE EXIT	WIRE LENGTH
ADS	SB	12V	7.5W	ABK	3000K	80	9.3 to 73.3	3.0 to 12.0	1.5	2	L	12
ADS	SB			MW	3500K	80	In inches	In inches	4.0		R	CUSTOM
ADENA SQUARE	Single bridge			PC	4000K	80	Available finishes: ABK, MW, PC, PN	The stem height Z is the end to end height of the light bridge and is available in increment of 0.1". (See diagram)	6.0			In inches
				PN			9.3 to 55.3					
				PB			In inches					
				BB			Available finishes: PB, BB, PBKN, PG					
				PBKN			The length X is the end to end length of the fixture and is available in increment of 0.1". (See diagram)					
				PG								



EXAMPLE	ADS	SB	12V	7.5W	ABK	4000K80	Length X (INCHES)	Height Z (INCHES)	INCHES		INCHES
							27.5	10.0	4.0	2	L12
CODE											

## T-bridge ordering code

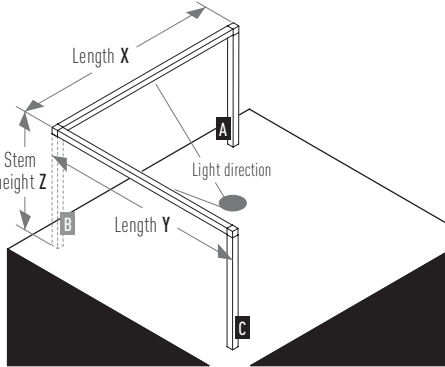
PRODUCT		CORE OPTIONS								EXTENDED OPTIONS			
ID	CONSTRUCTION TEMPLATE	INPUT	OUTPUT	FINISH	CCT	CRI	LENGTH	STEM HEIGHT	NIPPLE LENGTH	NUMBER OF STEMS	MIDDLE STEM POSITION	WIRE EXIT	WIRE LENGTH
ADS	TB	12V	7.5W	ABK	3000K	80	18.0 to 146.0	3.0 to 12.0	1.5	3	MSPX--	AB	12
ADS	TB			MW	3500K	80	In inches	In inches	4.0		On length X: MSPX + distance from origin in inches. (See diagram)	BC	CUSTOM
ADENA SQUARE	T-bridge			PC	4000K	80	Available finishes: ABK, MW, PC, PN	The stem height Z is the end to end height of the light bridge and is available in increment of 0.1". (See diagram)	6.0			AC	In inches
				PN			18.0 to 110.0				BB		
				PB			In inches						
				BB			Available finishes: PB, BB, PBKN, PG						
				PBKN			The length X is the end to end length of the fixture and is available in increment of 0.1". (See diagram)						
				PG									



EXAMPLE	ADS	TB	12V	7.5W	ABK	4000K80	Length X (INCHES)	Height Z (INCHES)	INCHES		INCHES	INCHES
							102.7	11.7	6.0	3	MSPX40.0	AC12
CODE												

## L-shape ordering code

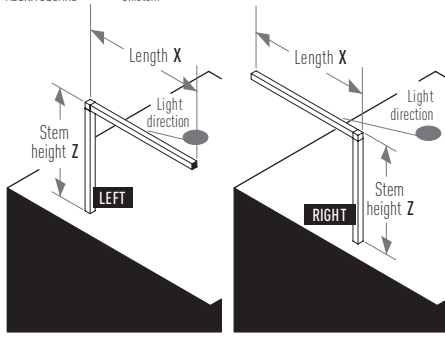
PRODUCT		CORE OPTIONS								EXTENDED OPTIONS	
ID	CONSTRUCTION TEMPLATE	INPUT	OUTPUT	FINISH	CCT CRI	LENGTH	STEM HEIGHT	NIPPLE LENGTH	NUMBER OF STEMS	WIRE EXIT	WIRE LENGTH
ADS	LS	12V	7.5W	ABK	3000K 80	9.3 to 73.3	3.0 to 12.0	1.5	2	2 STEMS	12
ADS	LS			MW	3500K 80	In inches	The stem height Z is the end to end height of the light bridge and is available in increment of 0.1". (See diagram)	4.0	3	AC	CUSTOM
ADENA SQUARE	L-shape			PC	4000K 80	Available finishes: ABK, MW, PC, PN		6.0			
				PN		9.3 to 55.3				3 STEMS	In inches
				PB		In inches	Available finishes: PB, BB, PBKN, PG			AB	
				BB		The length X is the end to end length of the fixture and is available in increment of 0.1". (See diagram)				BC	
				PBKN						AC	
				PG						BB	



EXAMPLE	ADS	LS	12V	7.5W	PBKN	3500K80	Length X x Length Y (INCHES) 21.5X21.5	Height Z (INCHES) 9.8	INCHES 4.0	3	INCHES AC12
	CODE										

## Unistem ordering code

PRODUCT		CORE OPTIONS								EXTENDED OPTIONS	
ID	CONSTRUCTION TEMPLATE	INPUT	OUTPUT	FINISH	CCT CRI	LENGTH	STEM HEIGHT	NIPPLE LENGTH	NUMBER OF STEMS	WIRE EXIT	WIRE LENGTH
ADS	UN	12V	7.5W	ABK	3000K 80	10.2 to 74.2	3.0 to 12.0	1.5	1	L	12
ADS	UN			MW	3500K 80	In inches	In inches	4.0		R	CUSTOM
ADENA SQUARE	Unistem			PC	4000K 80	Available finishes: ABK, MW, PC, PN	The stem height Z is the end to end height of the light bridge and is available in increment of 0.1". (See diagram)	6.0			In inches
				PN		10.2 to 55.2				The stem position depends on the direction of the light. (See diagram)	
				PB		In inches	Available finishes: PB, BB, PBKN, PG				
				BB		The length X is the end to end length of the fixture and is available in increment of 0.1". (See diagram)					
				PBKN							
				PG							

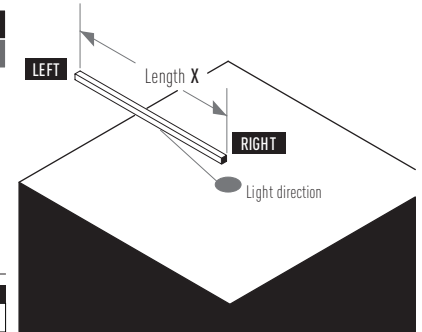


EXAMPLE	ADS	UN	12V	7.5W	PBKN	3500K80	Length X (INCHES) 21.5	Height Z (INCHES) 12	INCHES 1.5	1	INCHES R12
	CODE										



## Magnetic mounted ordering code

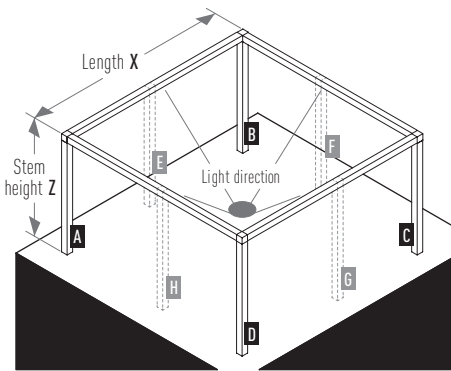
PRODUCT		CORE OPTIONS					EXTENDED OPTIONS		
ID	CONSTRUCTION TEMPLATE	INPUT	OUTPUT	FINISH	CCT CRI	LENGTH	WIRE EXIT	WIRE LENGTH	
ADS	MM	12V	7.5W	ABK	3000K 80	4.3 to 72.3	L	48	
ADS	MM				3500K 80	In inches The length X is measured from the end to end of the fixture and is available in increment of 4". (See diagram)	R	CUSTOM	
ADENA SQUARE	Magnetic mounted				4000K 80				



EXAMPLE	ORDERING CODE								
	ID	CONSTRUCTION TEMPLATE	INPUT	OUTPUT	FINISH	CCT CRI	LENGTH X (INCHES)	WIRE EXIT	WIRE LENGTH (INCHES)
	ADS	MM	12V	7.5W	ABK	3000K80	21.5	R24	

## Square shape ordering code

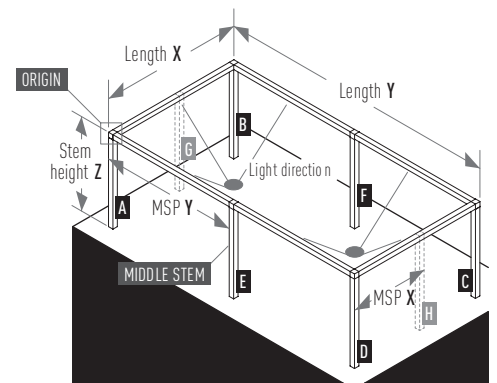
PRODUCT		CORE OPTIONS										EXTENDED OPTIONS	
ID	CONSTRUCTION TEMPLATE	INPUT	OUTPUT	FINISH	CCT CRI	LENGTH	STEM HEIGHT	NIPPLE LENGTH	NUMBER OF STEMS	MIDDLE STEM POSITION	WIRE EXIT	WIRE LENGTH	
ADS	SQ	12V	7.5W	ABK	3000K 80	9.3 to 146.0	3.0 to 12.0	1.5	4	NA	4 STEMS	12	
ADS	SQ		Watt per foot	MW	3500K 80	In inches Available finishes: ABK, MW, PC, PN	The stem height Z is the end to end height of the light bridge and is available in increment of 0.1". (See diagram)	4.0	8	MSPX--	AC	CUSTOM	
ADENA SQUARE	Square			PC	4000K 80			9.3 to 110.0	6.0			8 STEMS	ABCD
				PN		In inches Available finishes: PB, BB, PBKN, PG	The length X is the end to end length of the fixture and is available in increment of 0.1". (See diagram)				EFGH		
				BB				9.3 to 73.3					
				PBKN									
				PG									



EXAMPLE	ORDERING CODE											
	ID	CONSTRUCTION TEMPLATE	INPUT	OUTPUT	FINISH	CCT CRI	LENGTH X (INCHES)	STEM HEIGHT (INCHES)	NIPPLE LENGTH	NUMBER OF STEMS	MIDDLE STEM POSITION	WIRE EXIT
	ADS	SQ	12V	7.5W	MW	3500K80	73.0	10.6	4.0	8	MSPX36	ABCD12

## Rectangular shape ordering code

PRODUCT		CORE OPTIONS										EXTENDED OPTIONS	
ID	CONSTRUCTION TEMPLATE	INPUT	OUTPUT	FINISH	CCT	CRI	LENGTH	STEM HEIGHT	NIPPLE LENGTH	NUMBER OF STEMS	MIDDLE STEM POSITION	WIRE EXIT	WIRE LENGTH
ADS	RC	12V	7.5W	ABK	3000K	80	9.3 to 146.0	3.0 to 12.0	1.5	4	NA	4 STEMS	12
				MW	3500K	80	In inches Available finishes: <b>ABK, MW, PC, PN</b>	In inches The stem height <b>Z</b> is the end to end height of the light bridge and is available in increment of 0.1". (See diagram)	4.0	6	MSPY	AC	CUSTOM
				PC	4000K	80			6.0	8	MSPX--MSPY--	BD	
				PN			In inches Available finishes: <b>PB, BB, PBKN, PG</b>	The lengths <b>X</b> and <b>Y</b> are the end to end length of the fixture and are available in increment of 0.1". (See diagram)				6 STEMS	
				PB					9.3 to 110.0				ADF
				BB								BCE	
				PBKN								ABCD	
				PG								8 STEMS	
												ABCD	
												GFHE	



EXAMPLE	ORDERING CODE												
	ID	CONSTRUCTION TEMPLATE	INPUT	OUTPUT	FINISH	CCT	CRI	LENGTH X x LENGTH Y (INCHES)	HEIGHT Z (INCHES)	NIPPLE LENGTH	NUMBER OF STEMS	MIDDLE STEM POSITION (INCHES)	WIRE EXIT (INCHES)
	ADS	RC	12V	7.5W	PG	3000K80		52.7x38.4	11.4	1.5	8	MSPX26MSPY18	GFHE12

ARCHITECTURAL LIGHTING **EKLIPSE**

2090 rue Moreau  
Suite 100  
Montréal, QC - H1W 2M3  
Canada

T +1 514 590 0099  
INT 1 877 590 0099  
F +1 514 590 0098  
sales@eklipselighting.com  
www eklipselighting.com



MADE IN CANADA  
FABRIQUÉ AU CANADA

## Warranty

Our products and relative parts are guaranteed for **three (3) years**. See our terms and conditions on [www eklipselighting.com](http://www eklipselighting.com)