

Date _____ Specifier _____ Project _____ Type _____



EDGE

Highly adjustable linear light

Perfect for vaulted ceilings and enclosed stairways

Beam tiltable on 45° clockwise and anti clockwise

Application



Wall grazing



Inclined ceilings

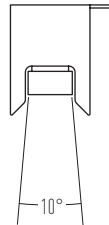
Optical distributions

10° x 50° with snoot

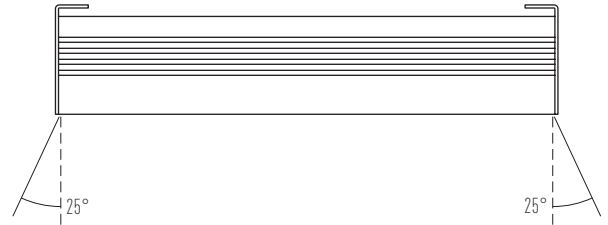
REG

LIGHT BEAM

SIDE VIEW



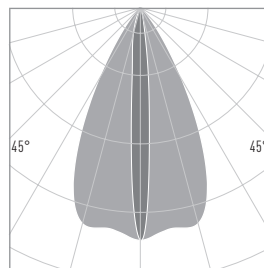
FRONT VIEW



PERCEPTION OF UNIFORMITY

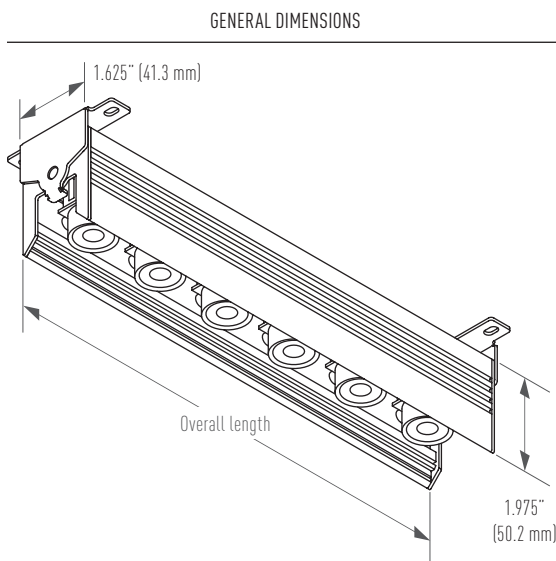


LIGHT DISTRIBUTION



Beam angle 10° x 50°
 Tilt angle 0°

Physical



Construction

Aluminium body
PMMA optics

Finish

ABK Anodized black



MW Matte white



Weight

1.27 lbs/ft (1890 g/m)

Length specifications

90.2" (2291 mm) or 90.3" (2294 mm),
depending on the mounting option

Ingress protection code

IP40

Operating ambient temperature

0 °C to 40 °C

Storage temperature

0 °C to 40 °C at 50% humidity.

Electrical



This product is a **DC LED Lighting Module**.
The following are required to operate as a complete system – to order separately:

Power Supply

24 VDC | Constant Voltage | PWM (if dimmable) | Remote Installation
Recommended driver Eclipse Light Manager LM-24V.100W-[...]
[1% dim in 0-10V / DALI / Ecosystem]

MODULE CURRENT REGULATION

PASSIVE

DRIVER COMPATIBILITY

UNIVERSAL*

**following driver spec. req.,
works with all models*

Input Voltage 24 VDC in Constant Voltage

Power Density 11 W/ft (36 W/m)

Dimming Capable of operating down to 0.1%
[depends on driver performance/limitations]

Wiring UL listed, NEC art. 800 compliant CMG cable, 48" long, 20 AWG, Red(+)/Black(-), polarized. Not approved for plenum/air handling spaces.

Safety Information cULus Listed, CE, SELV, Class 2, Dry location

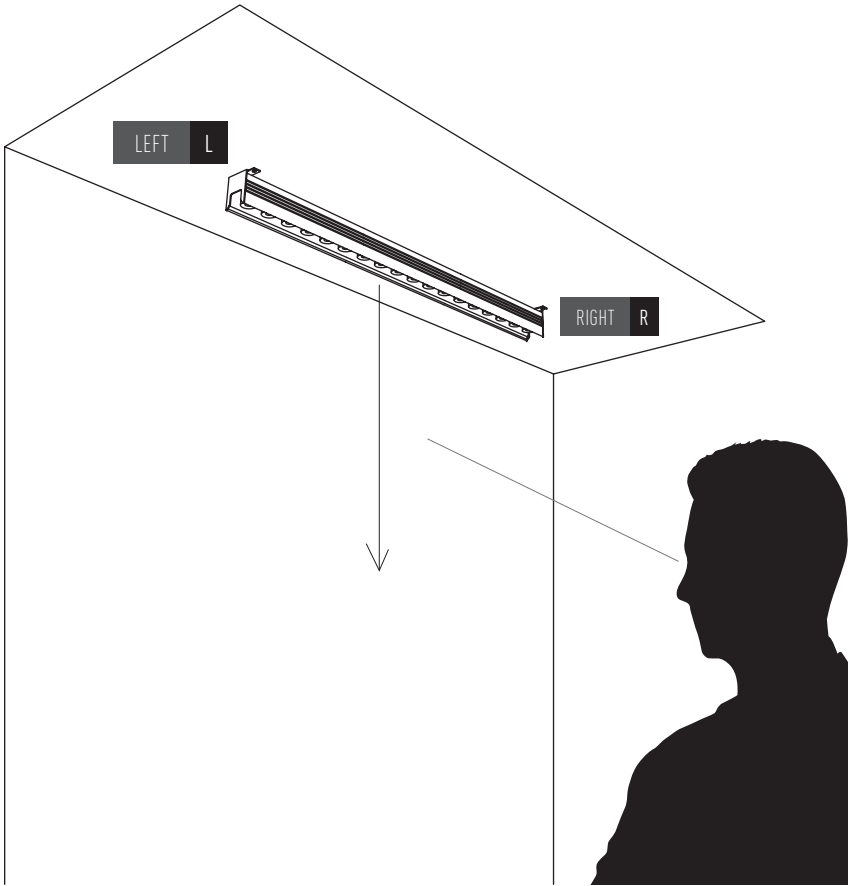
Installation Hardware installation with included mounting kits

Cable limit Voltage loss tolerance due to remote driver cable course, up to -2.5 V. See **LIGHT MANAGER** spec for max. cable length table per AWG.

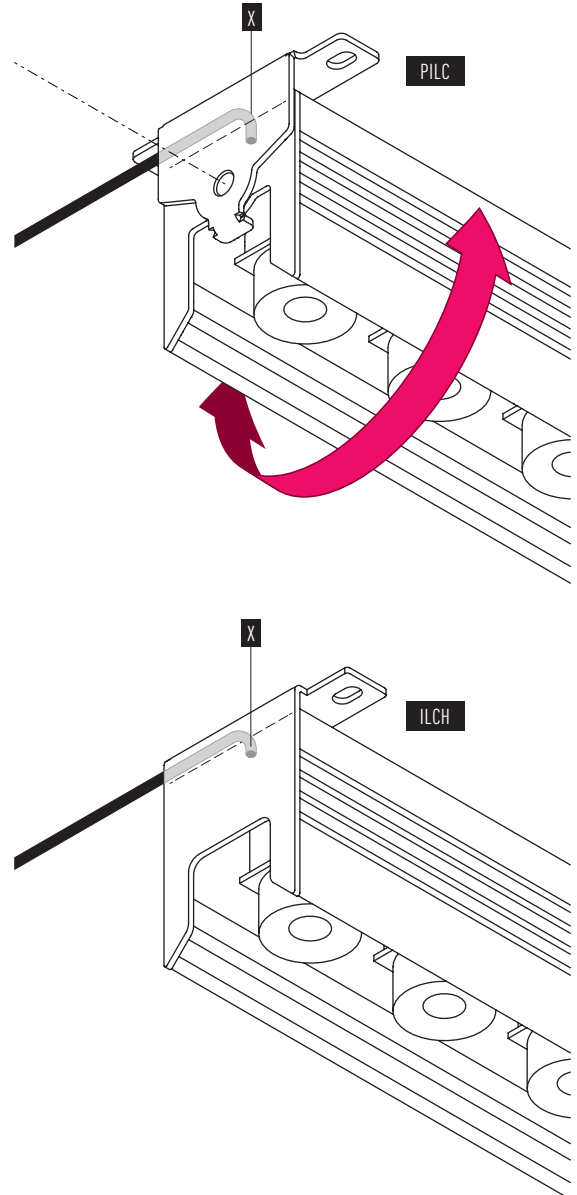
Applications Designed for hallways and staircases and, in general, for places with inclined ceilings where the light beam should be adjusted.

Wiring options

WIRE EXIT



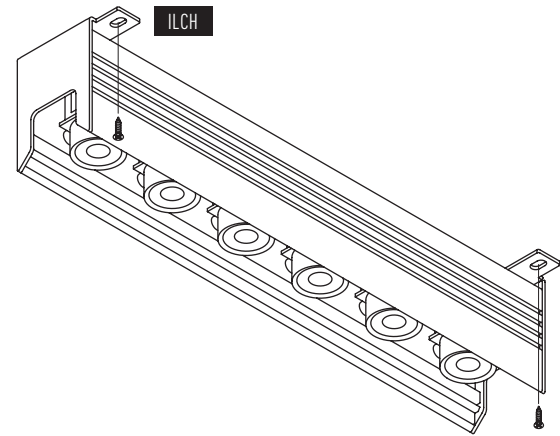
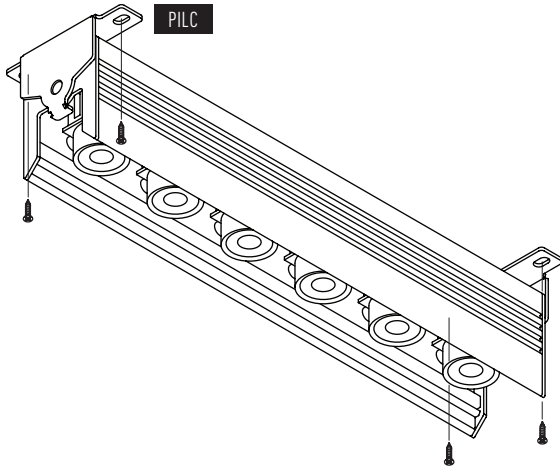
WIRE DIRECTION



Integration overview

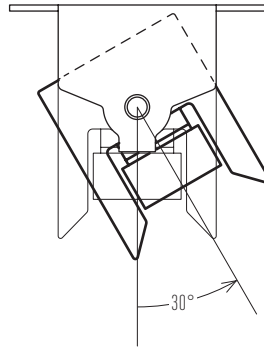
MOUNTING OPTIONS

Both mounting options are installed by screws.

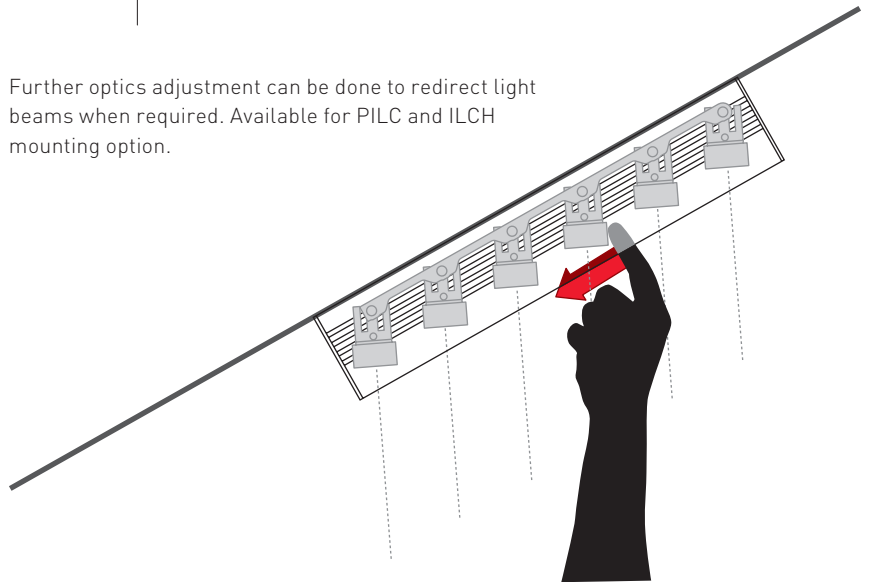


ADJUSTMENTS

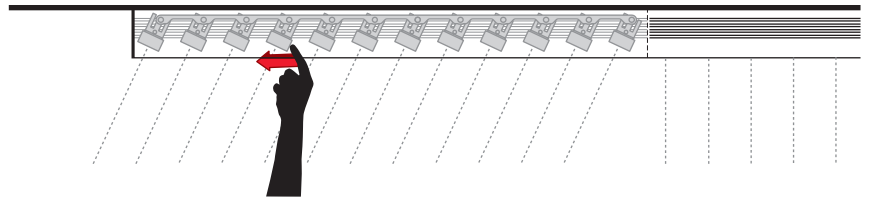
PILC mounting option allows a 30° rotation along the length in either direction.



Further optics adjustment can be done to redirect light beams when required. Available for PILC and ILCH mounting option.



Each group of 12 optics are adjustable independently in long fixtures.



Ordering code

PRODUCT		CORE OPTIONS						EXTENDED OPTIONS								
ID	MOUNTING OPTION	INPUT	OUTPUT	SNOOT	FINISH	CCT CRI		LENGTH	WIRING OPTIONS							
E	ILCH	24V	11W	REG	ABK	2700K	80	ILCH	EXIT	DIRECT.	CONN.	LENGTH	EXIT	DIRECT.	CONN.	LENGTH
E	PILC				MW	3000K	80	10.2 to 90.2	L	X	W	48	R	X	W	48
EDGE	ILCH				ABK	3500K	80					CUST.				CUST.
	Inside leg cap horizontal				Anodized black											
	PILC				MW			PILC	Lengths are in inches							
	Pivoting leg cap				Matte white			10.3 to 90.3	W Standard connector							
									For further details, refer to "Wiring option" section.							
									In inches							
									Available in increment of 10".							

ORDERING CODE	EXAMPLE	E	-	ILCH	-	24V	-	11W	-	REG	-	MW	-	3000K80	-	INCHES	-	60.2	-	Single wire exit	or	Double wire exit	LXW48	LXW6+RXW6
			-		-		-		-		-		-		-		-		-					
			-		-		-		-		-		-		-		-		-					
			-		-		-		-		-		-		-		-		-					

Available overall lengths

ILCH			PILC		
inches	mm		inches	mm	
10.2	259	40.2 1021	10.3	262	40.3 1024
20.2	513	50.2 1275	20.3	516	50.3 1278
30.2	767	60.2 1529	30.3	770	60.3 1532
		70.2 1783			70.3 1786
		80.2 2037			80.3 2040
		90.2 2291			90.3 2294

ARCHITECTURAL LIGHTING **EKLIPSE**

2090 rue Moreau
Suite 100
Montréal, QC - H1W 2M3
Canada

T +1 514 590 0099
INT 1 877 590 0099
F +1 514 590 0098
sales@eklipselighting.com
www eklipselighting.com



Warranty

Our products and relative parts are guaranteed for **three (3) years**. See our terms and conditions on www eklipselighting.com