

FLOW COVE



Specifically designed for cove lighting

Multiple mounting options available for easy installation

Available in flex model to fit curved walls

Application



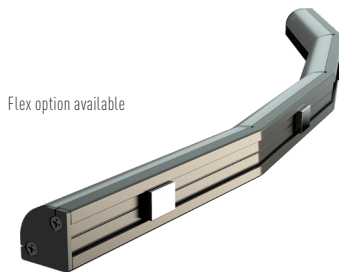
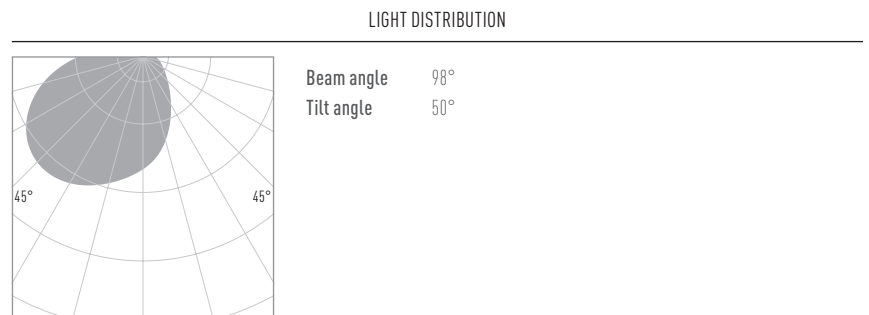
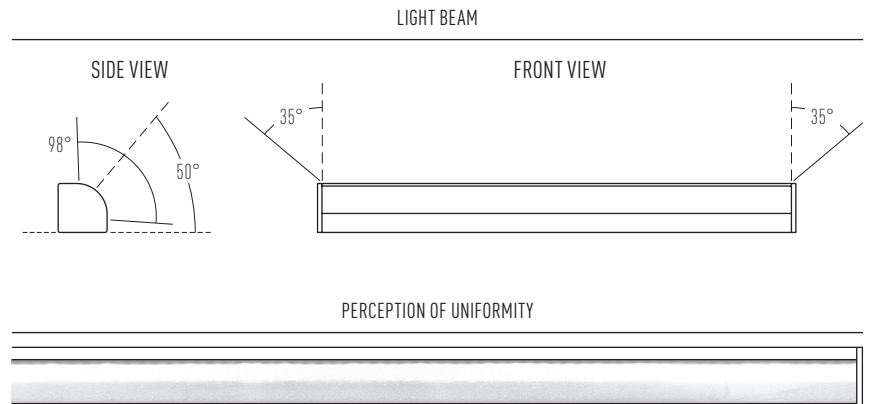
Asymmetric lighting



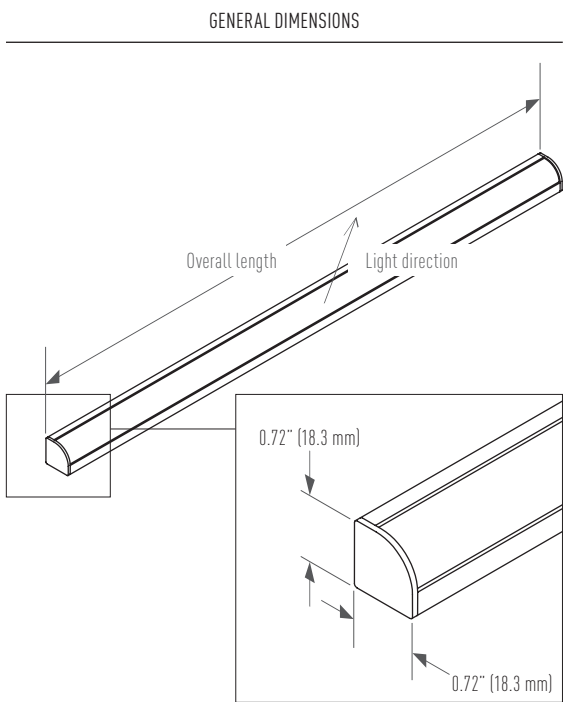
Cove Lighting

Optical distributions

Frosted film



Physical

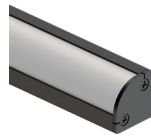


Construction

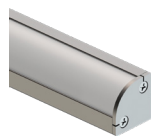
Aluminium body
PE film

Finish

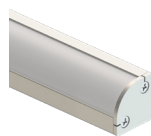
ACL Anodized clear



ACL Anodized clear



ACL Anodized clear



Weight

0.33 lbs/ft (491 g/m)

Length specifications

48.3" (1227 mm) or 48.4" (1230 mm)
maximum (depending on mounting
option). Increments of 2" (51 mm)
available

Ingress protection

IP40

Operating ambient temperature

0 °C to 40 °C

Storage temperature

0 °C to 40 °C at 50% humidity.

Electrical

i This product is a **DC LED Lighting Module**.
The following are required to operate as a
complete system – to order separately:

Power Supply

24 VDC | Constant Voltage | PWM (if dimmable) | Remote Installation
Recommended driver: Eclipse Light Manager LM-24V.100W-[...]
[1% dim in 0-10V / DALI / Ecosystem]

MODULE CURRENT REGULATION

PASSIVE

DRIVER COMPATIBILITY

UNIVERSAL*

*following driver spec. req.,
works with all models

Input Voltage 24 VDC in Constant Voltage

Power Density 5 W/ft (16.5 W/m) 7.5 W/ft (25 W/m)

Dimming Capable of operating down to 0.1%

[depends on driver performance/limitations]

Wiring

UL listed, NEC art. 800 compliant CMG cable, 48" long, 20 AWG, Red(+)/Black(-),
polarized. Not approved for plenum/air handling spaces.

Safety Information

cULus Listed, CE, SELV, Class 2, Dry location

Installation

Magnetic or Hardware installation according to mounting option.

Cable limit

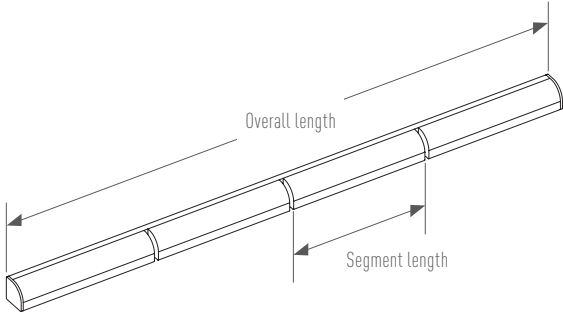
Voltage loss tolerance due to remote driver cable course, up to -2.5 V. See
LIGHT MANAGER spec for max. cable length table per AWG.

Applications

Designed for cove lighting.

FLOW COVE FLEX model

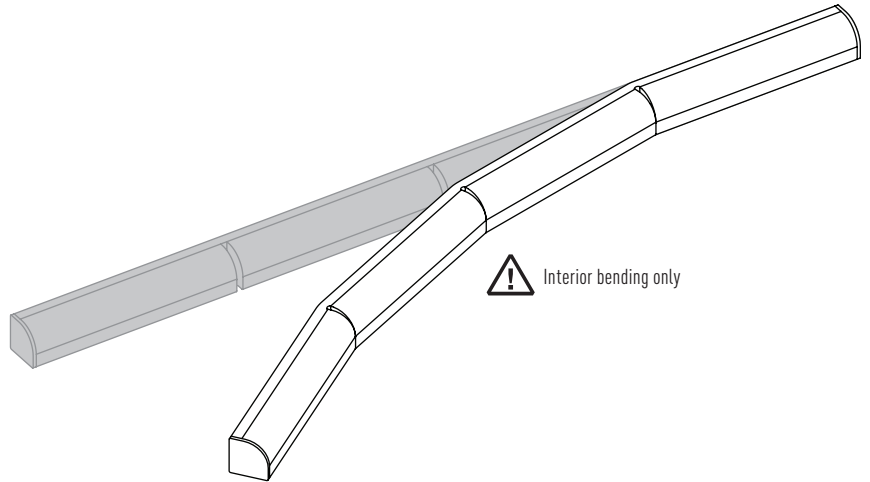
GENERAL DIMENSIONS



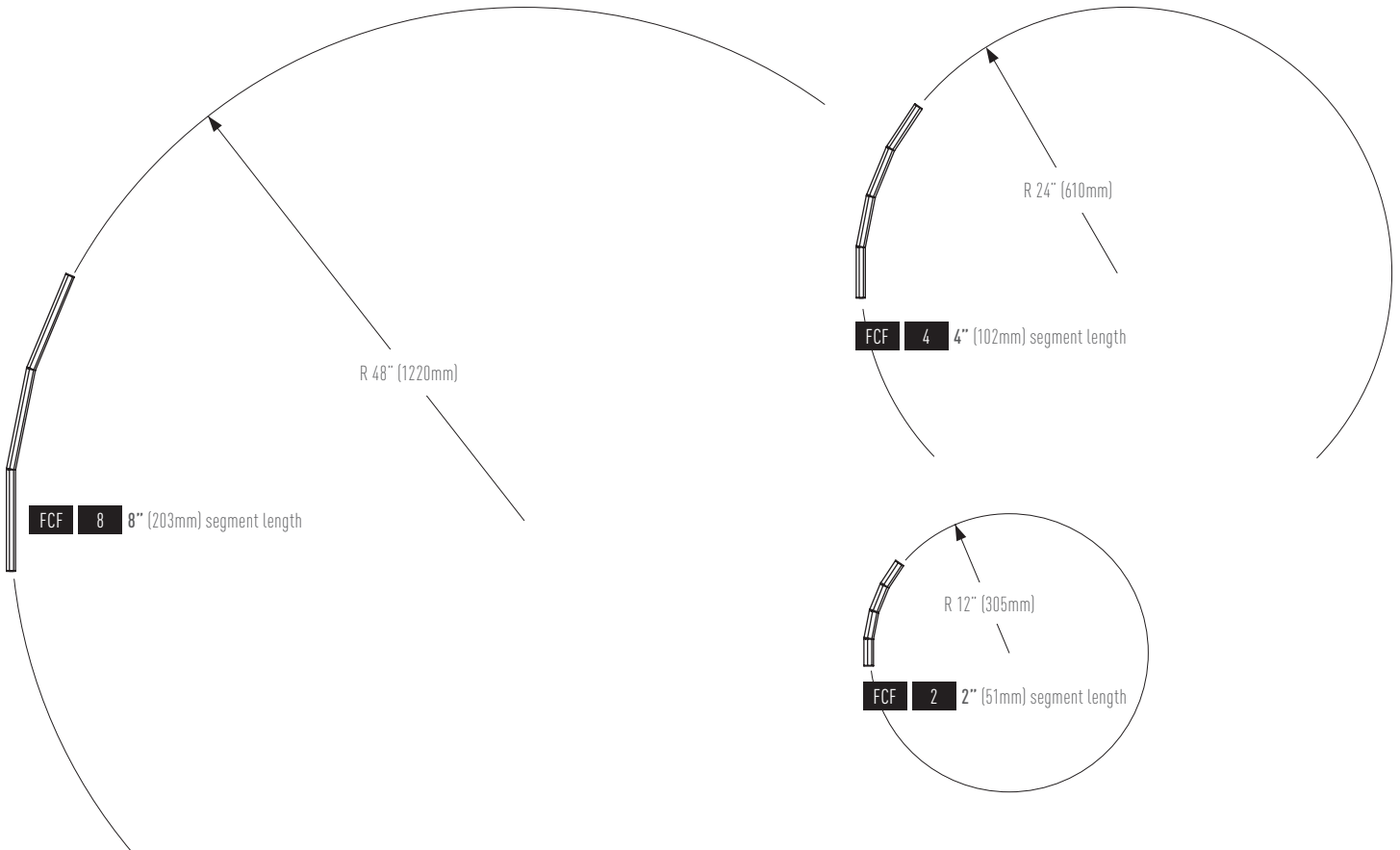
Available segment lengths

FCF	2	2" (51mm)
FCF	4	4" (102mm)
FCF	8	8" (203mm)

BENDING

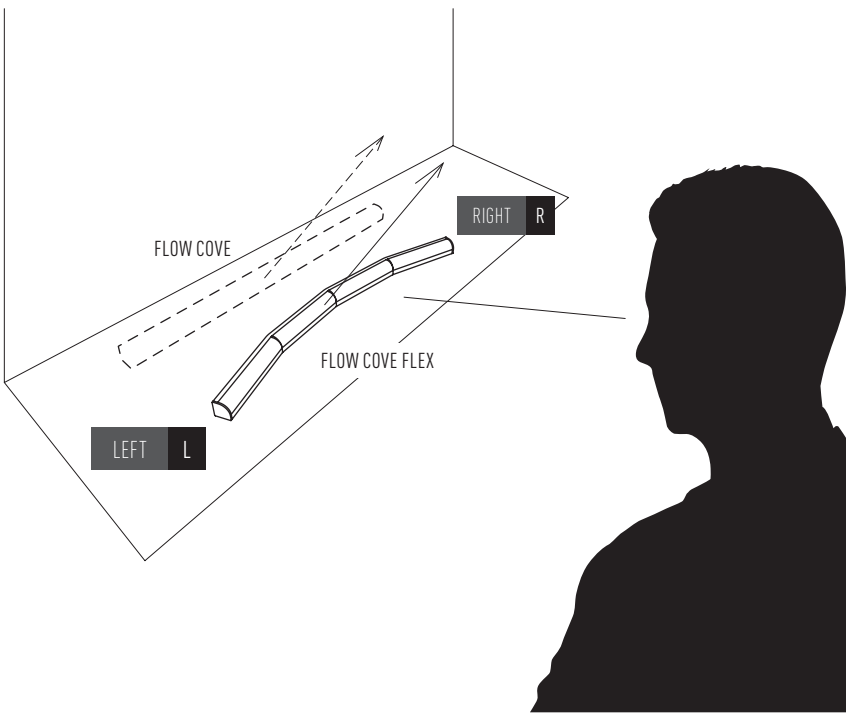


CURVE RADIUS



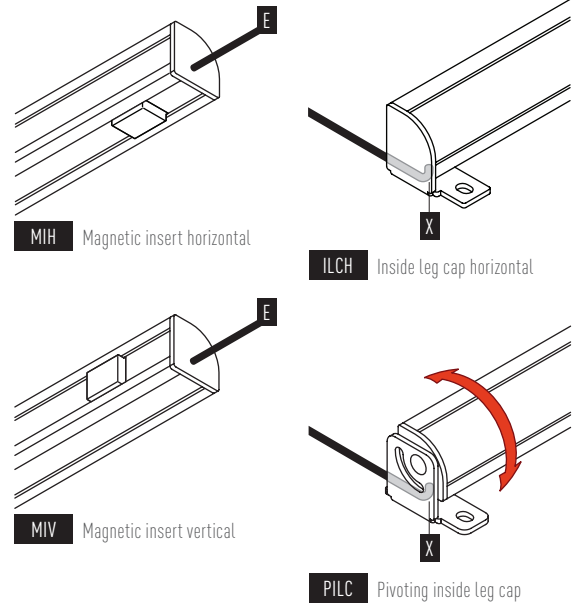
Wiring options

WIRE DIRECTION

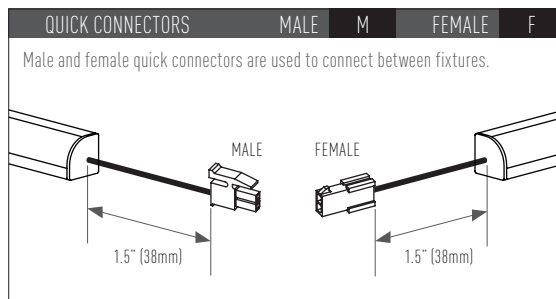
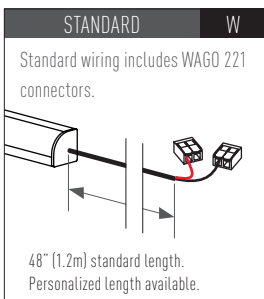


WIRE EXIT

Wire direction depends on the mounting options specified.



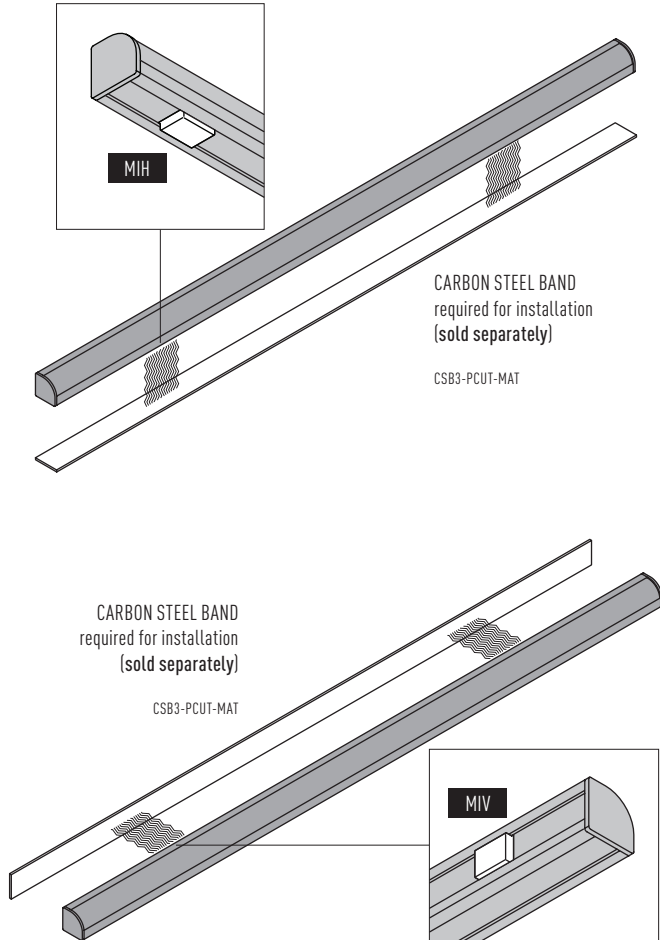
WIRE CONNECTOR



Integration overview

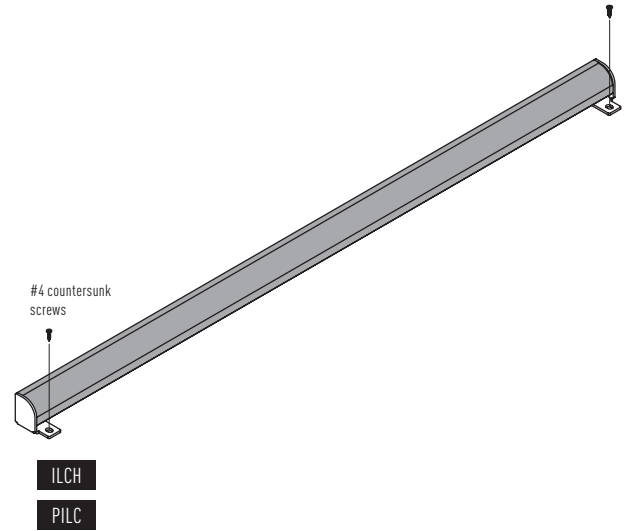
MAGNETIC INSTALLATION

Magnetic insert horizontal and vertical available for FLOW COVE and FLOW COVE FLEX.



HARDWARE INSTALLATION

Installation by screws available for FLOW COVE only.

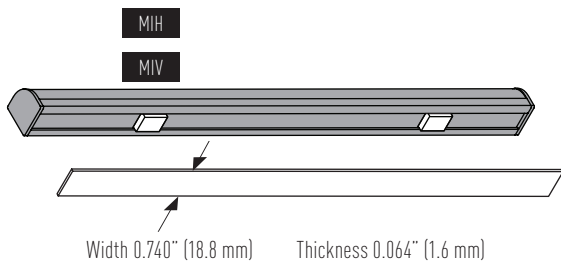


Accessories

Carbon steel band (type 3)

CSB3-PCUT-MAT

Required for magnetic installation. Pre-cut to match ordered lengths.



FLOW COVE ordering code

PRODUCT		CORE OPTIONS						EXTENDED OPTIONS																																					
ID	MOUNTING OPTION	INPUT	OUTPUT	FINISH	CCT CRI		LENGTH	WIRING (MIH, MIV)																																					
FC	MIH	24V	5W	ABK	2700K	80	2.3 to 48.3	L	DIRECT.	CONN.	LENGTH	EXIT	DIRECT.	CONN.	LENGTH	EXIT	DIRECT.	CONN.	LENGTH																										
	MIV		7.5W	ACL		90														48	W	48																							
	PILC		Watt per foot	MW	80	1.5	M													1.5																									
	ILCH			3000K	90	CUST.	F													CUST.																									
MIH Magnetic insert horizontal MIV Magnetic insert vertical PILC Pivoting leg cap ILCH Inside leg cap horizontal		3500K 80 90 Mounting options MIH, MIV, ILCH 4000K 80 90 Mounting option PILC		2.4 to 48.4 In inches Available in increment of 2".		WIRING (ILCH, PILC) <table border="1"> <thead> <tr> <th>EXIT</th> <th>DIRECT.</th> <th>CONN.</th> <th>LENGTH</th> <th>EXIT</th> <th>DIRECT.</th> <th>CONN.</th> <th>LENGTH</th> </tr> </thead> <tbody> <tr> <td rowspan="3">L</td> <td rowspan="3">X</td> <td>W</td> <td>48</td> <td rowspan="3">R</td> <td rowspan="3">X</td> <td>W</td> <td>48</td> </tr> <tr> <td>M</td> <td>1.5</td> <td>M</td> <td>1.5</td> </tr> <tr> <td>F</td> <td>1.5</td> <td>F</td> <td>1.5</td> </tr> <tr> <td></td> <td></td> <td>CUST.</td> <td>CUST.</td> <td></td> <td></td> <td>CUST.</td> <td>CUST.</td> </tr> </tbody> </table>								EXIT	DIRECT.	CONN.	LENGTH	EXIT	DIRECT.	CONN.	LENGTH	L	X	W	48	R	X	W	48	M	1.5	M	1.5	F	1.5	F	1.5			CUST.	CUST.			CUST.	CUST.
EXIT	DIRECT.	CONN.	LENGTH	EXIT	DIRECT.	CONN.	LENGTH																																						
L	X	W	48	R	X	W	48																																						
		M	1.5			M	1.5																																						
		F	1.5			F	1.5																																						
		CUST.	CUST.			CUST.	CUST.																																						

Lengths are in inches
W Standard connector - **M** Male quick connector - **F** Female quick connector
 For further details, refer to "Wiring option" section.

ORDERING CODE	EXAMPLE	FC	-	MIH	-	24V	-	5W	-	ABK	-	3000K80	-	INCHES	46.3	-	Single wire exit	LEW48	or	Double wire exit	LEW48+REF1.5
			-		-		-		-		-		-			-					
			-		-		-		-		-		-			-					
			-		-		-		-		-		-			-					

Available overall lengths

MIH, MIV, ILCH			PILC		
inches	mm		inches	mm	
2.3	59	18.3 465	2.4	61	18.4 468
4.3	110	20.3 516	4.4	112	20.4 519
6.3	161	22.3 567	6.4	163	22.4 569
8.3	211	24.3 618	8.4	214	24.4 620
10.3	262	26.3 669	10.4	265	26.4 671
12.3	313	28.3 719	12.4	315	28.4 722
14.3	364	30.3 770	14.4	366	30.4 773
16.3	415	32.3 821	16.4	417	32.4 823
		34.3 872			34.4 874
		36.3 923			36.4 925
		38.3 973			38.4 976
		40.3 1024			40.4 1027
		42.3 1075			42.4 1077
		44.3 1126			44.4 1128
		46.3 1177			46.4 1179
		48.3 1227			48.4 1230

FLOW COVE FLEX ordering code

PRODUCT			CORE OPTIONS					EXTENDED OPTIONS										
ID	SEGMENT LENGTH	MOUNTING OPTION	INPUT	OUTPUT	FINISH	CCT CRI	LENGTH	WIRING										
FCF	2	MIH	24V	5W	ABK	2700K 80	48	L	E	W	48	R	E	W	48			
	4	MIV		7.5W	ACL											90	CUST.	CUST.
	8	MIH		Watt per foot	MW											90	CUST.	CUST.
	In inches	Magnetic insert horizontal				3000K 80	90											
		MIV				3500K 80	90											
		Magnetic insert vertical				4000K 80	90											

Refer to the table below to find the right overall length based on the corresponding segment length.

Lengths are in inches
W Standard connector - **M** Male quick connector - **F** Female quick connector
 For further details, refer to "Wiring option" section.

ORDERING CODE	EXAMPLE							INCHES	Single wire exit	or	Double wire exit								
		FCF	-	4	-	MIH	-	24V	-	5W	-	ABK	-	3000K80	-	46.2	-	LEW48	
		-		-		-		-		-		-		-		-			
		-		-		-		-		-		-		-		-			
		-		-		-		-		-		-		-		-			

Available overall lengths

2" segments					4" segments			8" segments	
inches	mm	inches	mm	inches	mm	inches	mm	inches	mm
4.5	114	11.1	280	22.0	558	30.7	780	41.6	1057
6.7	169	13.3	336	24.2	613	32.9	835	43.8	1112
8.9	225	15.4	391	26.4	669	35.1	891	46.0	1168
		17.6	447	28.5	724	37.3	946	48.2	1223
		19.8	502	39.5	1002				
						8.5	216	25.3	641
						12.7	322	29.4	747
						16.9	428	33.6	853
						21.1	534	37.8	959
								42.0	1066
								46.2	1172
								16.5	419
								24.7	627
								32.9	835
								41.1	1042
								49.3	1250

ARCHITECTURAL LIGHTING **EKLIPSE**

2090 rue Moreau
 Suite 100
 Montréal, QC - H1W 2M3
 Canada

T +1 514 590 0099
 INT 1 877 590 0099
 F +1 514 590 0098
 sales@eklipselighting.com
 www.eklipselighting.com



Warranty

Our products and relative parts are guaranteed for **three (3) years**. See our terms and conditions on www.eklipselighting.com