

Date _____ Specifier _____ Project _____ Type _____

HORIZON MINI



Wide range of optics to provide incomparable control of light

Flexibility of installation with multiple mounting options available

Perfect for surface grazing and edge lighting

Application



Wall grazing



Wall washing



Diffused lighting

Optical distributions (circular)

15° with narrow beam filter

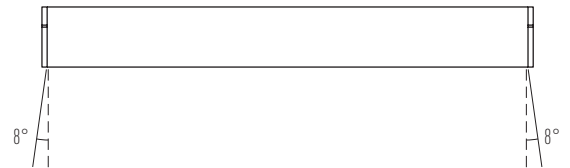
15D.NBF

LIGHT BEAM

SIDE VIEW



FRONT VIEW

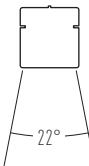


22° with narrow beam filter

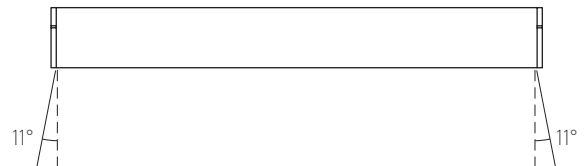
22D.NBF

LIGHT BEAM

SIDE VIEW



FRONT VIEW

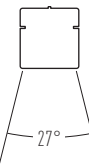


27° with narrow beam filter

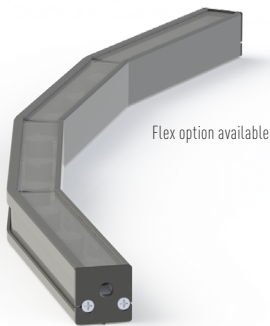
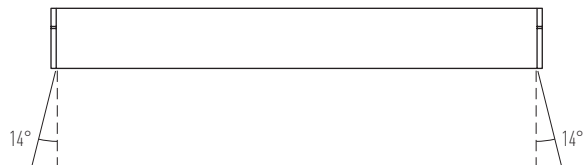
27D.NBF

LIGHT BEAM

SIDE VIEW



FRONT VIEW



40° with narrow beam filter

40D.NBF

LIGHT BEAM



49° with narrow beam filter

49D.NBF

LIGHT BEAM



66° with narrow beam filter

66D.NBF

LIGHT BEAM



72° with narrow beam filter

40D.NBF

LIGHT BEAM



80° with narrow beam filter

40D.NBF

LIGHT BEAM



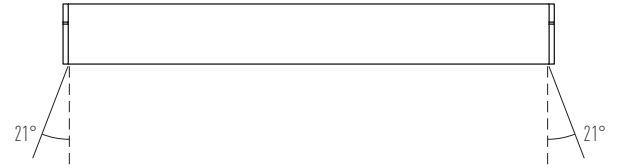
Optical distributions (elliptical)

14°x42° with linear optic filter **14X42D.LOF**
LIGHT BEAM

SIDE VIEW



FRONT VIEW

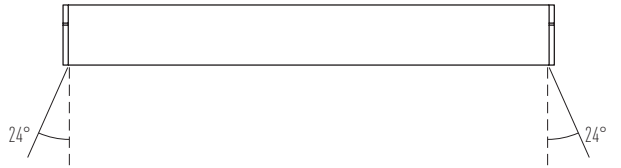


19°x48° with linear optic filter **19X48D.LOF**
LIGHT BEAM

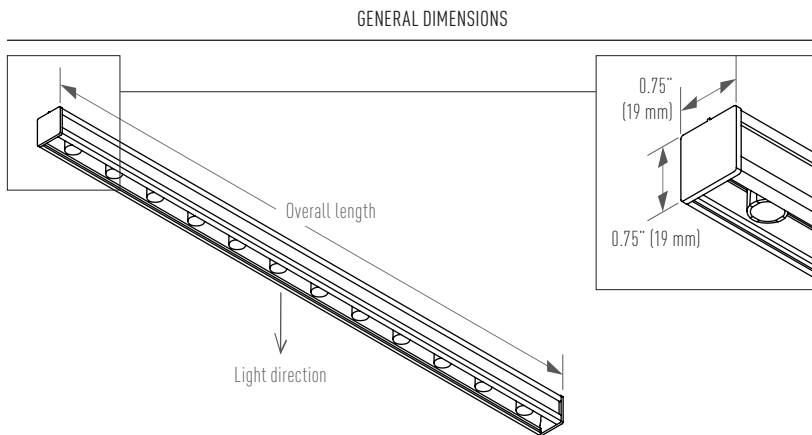
SIDE VIEW



FRONT VIEW

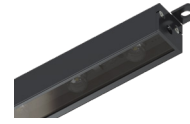


Physical



Finish

ABK Anodized black



ACL Anodized clear



MW Matte white



Construction

Aluminium body

PMMA optics

Weight

0.34 lbs/ft (506 g/m)

Maximum standard length

100" (2540 mm)

Ingress protection code

IP40

Operating ambient temperature

0 °C to 40 °C

Storage temperature

0 °C to 40 °C at 50% humidity.

Electrical



This product is a **DC LED Lighting Module**. The following are required to operate as a complete system – to order separately:

Power Supply

24 VDC | Constant Voltage | PWM (if dimmable) | Remote Installation

Recommended driver Eclipse Light Manager LM-24V.100W-[...]

[1% dim in 0-10V / DALI / Ecosystem]

MODULE CURRENT REGULATION

PASSIVE

DRIVER COMPATIBILITY

UNIVERSAL*

*following driver spec. req., works with all models

Input Voltage 24 VDC in Constant Voltage

Power Density 7.5 W/ft (25 W/m)

Dimming Capable of operating down to 0.1%
[depends on driver performance/limitations]

Wiring UL listed, NEC art. 800 compliant CMG cable, 48"-long, 20 AWG, Red(+)/Black(-), polarized. Not approved for plenum/air handling spaces.

Safety Information cULus Listed, CE, SELV, Class 2, Dry location

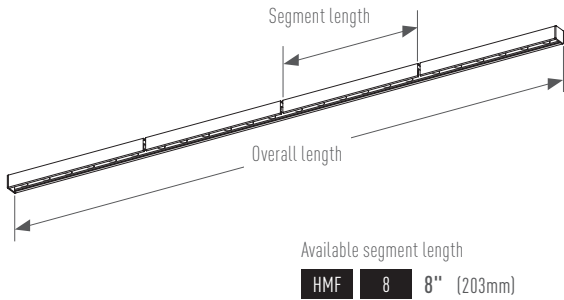
Installation Magnetic installation (MIH, MIV) (order carbon steel band accessory separately). Hardware installation (PILC, OLCH, OLCV, ILCH, ILCV)

Cable limit Voltage loss tolerance due to remote driver cable course, up to -2.5 V. See LIGHT MANAGER spec for max. cable length table per AWG.

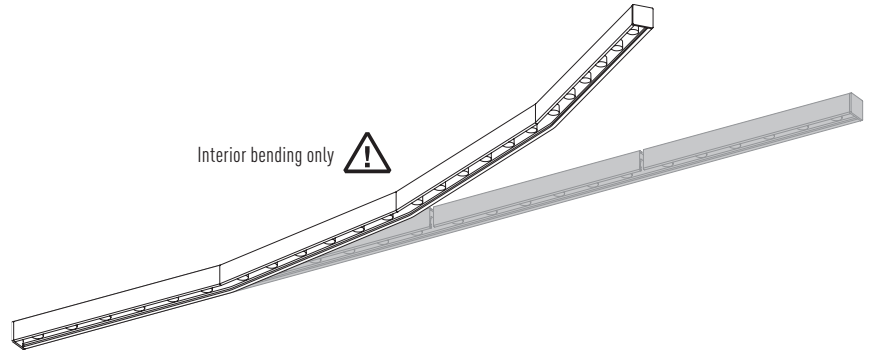
Applications Designed for surface grazing and edge lighting.

HORIZON MINI FLEX model

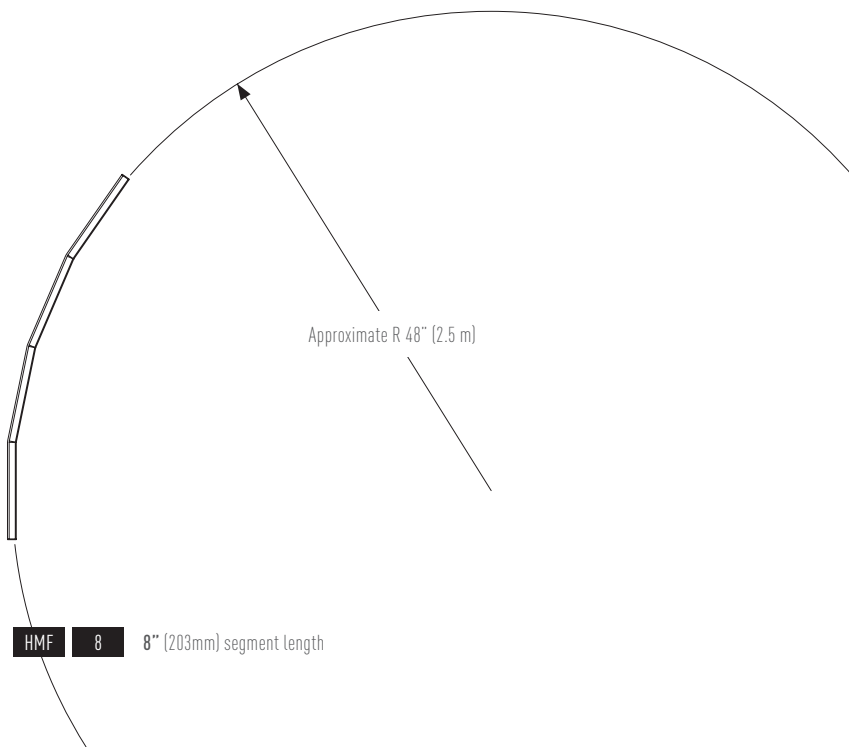
GENERAL DIMENSIONS



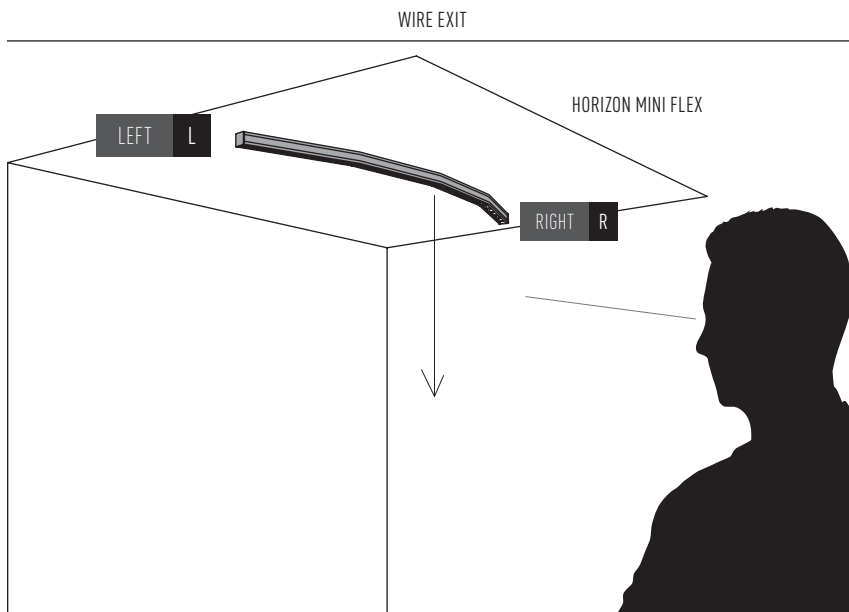
BENDING



CURVE RADIUS

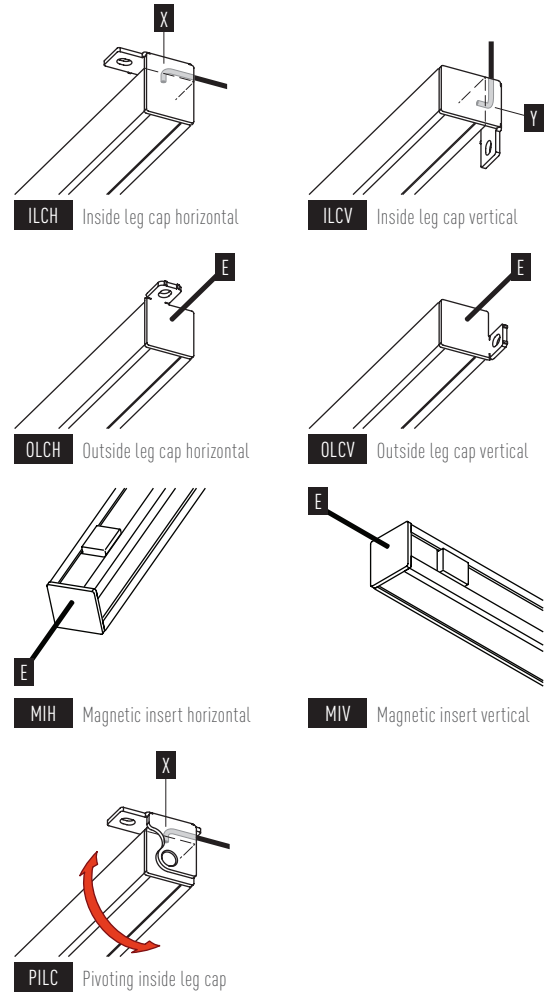


Wiring options

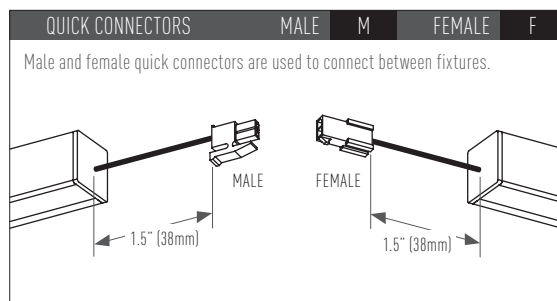
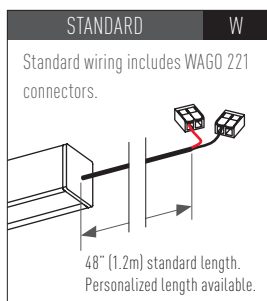


WIRE DIRECTION

Wire direction depends on the mounting options specified.



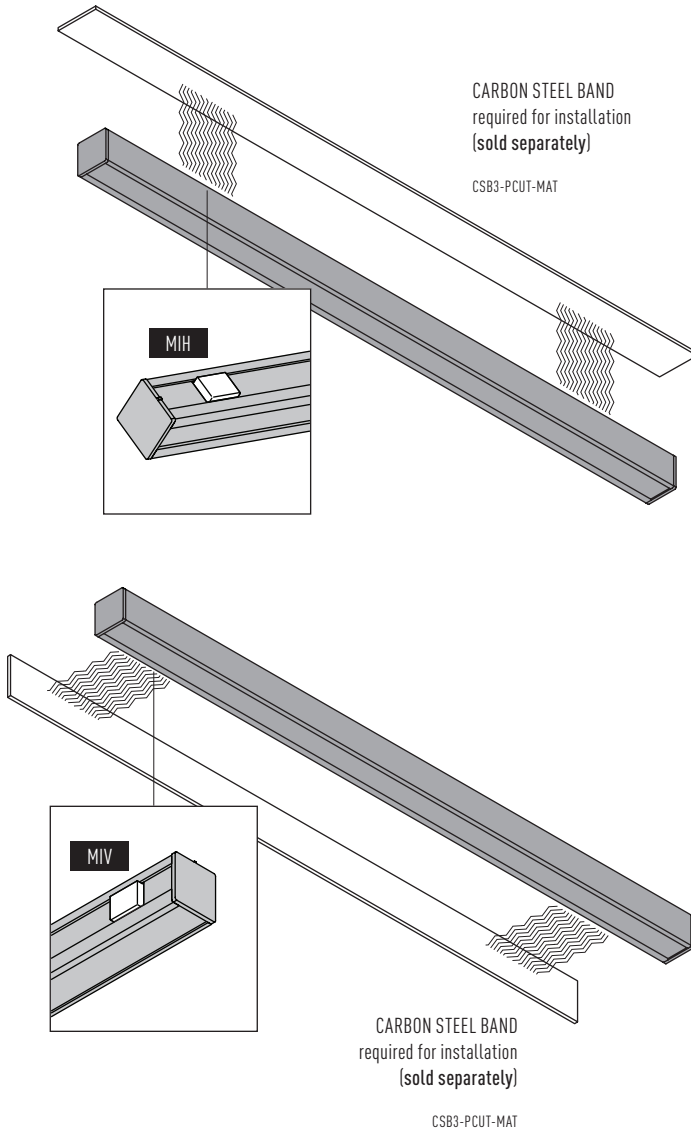
WIRE CONNECTOR



Integration overview

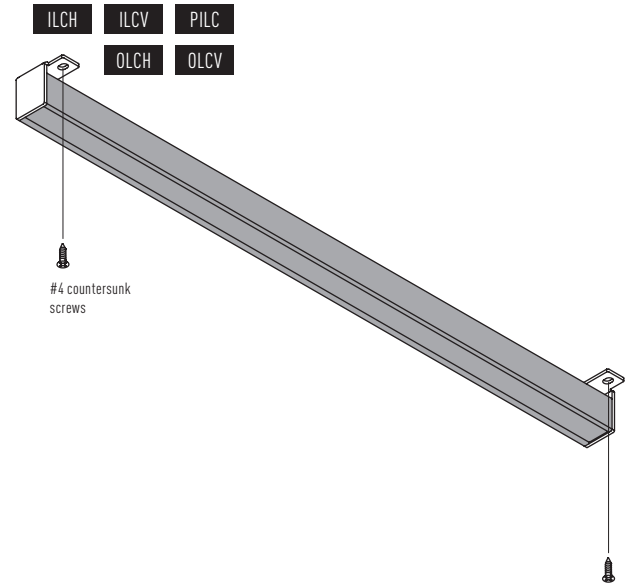
MAGNETIC INSTALLATION

Magnetic insert horizontal and vertical available for HORIZON MINI and HORIZON MINI FLEX.



HARDWARE INSTALLATION

Installation by screws available for HORIZON MINI only.

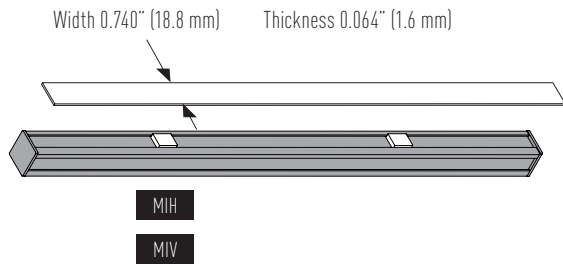


Accessories

Carbon steel band (type 3)

CSB3-PCUT-MAT

Required for magnetic installation. Pre-cut to match ordered lengths.



HORIZON MINI ordering code

PRODUCT		CORE OPTIONS							EXTENDED OPTIONS														
ID	MOUNTING OPTION	INPUT	OUTPUT	FINISH	CCT	CRI	OPTIC FILM	LENGTH	WIRING (ILCH, PILC)														
HM	MIH	24V	7.5W	ABK	2200K	80	15D.NBF	MIH, MIV, ILCH, ILCV	EXIT	DIRECT.	CONN.	LENGTH	EXIT	DIRECT.	CONN.	LENGTH							
	MIV			ACL	2700K	80	22D.NBF	8.3 to 96.3				L				X	W	48	R	X	W	48	
	PILC			MW	3000K	80	27D.NBF	PILC	M	1.5	CUST.		F	M	1.5		CUST.						
	ILCH			ABK Anodized black	3500K	80	40D.NBF			8.4 to 96.4	OLCH, OLCV	F			1.5	CUST.	F	F	1.5	CUST.			
	ILCV				4000K	80	49D.NBF	9.4 to 97.4	80D.NBF	14X42D.LOF			19X48D.LOF	15D.NBF.L	22D.NBF.L	27D.NBF.L			40D.NBF.L	49D.NBF.L	66D.NBF.L	72D.NBF.L	80D.NBF.L
	OLCH				ACL Anodized clear	MW Matte white	#D Optic	NBF Narrow beam film															
	OLCV			Please note that each mounting option has its selective wiring directions.																			

WIRING (ILCV only)

EXIT	DIRECT.	CONN.	LENGTH	EXIT	DIRECT.	CONN.	LENGTH
L	Y	W	48	R	Y	W	48
		M	CUST.			M	CUST.
		F	1.5			F	1.5
			CUST.				CUST.

WIRING (MIH, MIV, OLCH, OLCV)

EXIT	DIRECT.	CONN.	LENGTH	EXIT	DIRECT.	CONN.	LENGTH
L	E	W	48	R	E	W	48
		M	CUST.			M	CUST.
		F	1.5			F	1.5
			CUST.				CUST.

Lengths are in inches
W Standard connector - **M** Male quick connector - **F** Female quick connector
 For further details, refer to "Wiring option" section.

ORDERING CODE	EXAMPLE	HM	-	MIH	-	24V	-	7.5W	-	ACL	-	3000K80	-	40DNBF	-	INCHES	-	88.3	-	Single wire exit	or	Double wire exit
																				LEW48		LEM6+REF6

Available overall lengths

MIH, MIV, ILCH, ILCV			PILC			OLCH, OLCV											
inches	mm	inches	mm	inches	mm	inches	mm	inches									
8.3	211	40.3	1024	72.3	1837	8.4	214	40.4	1027	72.4	1839	9.4	237	41.4	1049	73.4	1862
16.3	414	48.3	1227	80.3	2040	16.4	417	48.4	1230	80.4	2043	17.4	440	49.4	1253	81.4	2065
24.3	618	56.3	1430	88.3	2243	24.4	620	56.4	1433	88.4	2246	25.4	643	57.4	1456	89.4	2269
32.3	821	64.3	1634	96.3	2446	32.4	823	64.4	1636	96.4	2449	33.4	846	65.4	1659	97.4	2472

HORIZON MINI FLEX ordering code

PRODUCT			CORE OPTIONS							EXTENDED OPTIONS							
ID	SEGMENT LENGTH	MOUNTING OPTION	INPUT	OUTPUT	FINISH	CCT CRI		OPTIC FILM	LENGTH	WIRING							
HMF	8	MIH MIV	24V	7.5W	ABK ACL MW	2200K 2700K 3000K 3500K 4000K	80 80 80 80 80	15D.NBF 22D.NBF 27D.NBF 40D.NBF 49D.NBF 66D.NBF 72D.NBF 80D.NBF 14X42D.LOF 19X48D.LOF 15D.NBF.L 22D.NBF.L 27D.NBF.L 40D.NBF.L 49D.NBF.L 66D.NBF.L 72D.NBF.L 80D.NBF.L	16.5 to 73.8	EXIT	DIRECT.	CONN.	LENGTH	EXIT	DIRECT.	CONN.	LENGTH
	In inches	MIH Magnetic insert horizontal MIV Magnetic insert vertical		Watt per foot					In inches Available in increment of 8".	L	E	W M F	48 CUST. 1.5 CUST. 1.5 CUST.	R	E	W M F	48 CUST. 1.5 CUST. 1.5 CUST.
					##D Optic		LOF Linear optic film										
					NBF Narrow beam film		L Square louvers (8")										

Lengths are in inches
W Standard connector - **M** Male quick connector - **F** Female quick connector
 For further details, refer to "Wiring option" section.

ORDERING CODE	EXAMPLE	HMF	-	8	-	MIH	-	24V	-	7.5W	-	ABK	-	3000K80	-	27D.NBF	-	INCHES	-	Single wire exit	or	Double wire exit
			-		-		-		-		-		-		-		-		-	LEW48		LEM1.5+REF1.5
			-		-		-		-		-		-		-		-		-			
			-		-		-		-		-		-		-		-		-			

Available overall lengths

inches	mm	inches	mm	inches	mm
16.5	419	41.1	1042	65.6	1666
24.7	627	49.3	1250	73.8	1874
32.9	835	57.4	1458		

ARCHITECTURAL LIGHTING **EKLIPSE**

2090 rue Moreau
 Suite 100
 Montréal, QC - H1W 2M3
 Canada

T +1 514 590 0099
 INT 1 877 590 0099
 F +1 514 590 0098
 sales@eklipselighting.com
 www.eklipselighting.com



Warranty

Our products and relative parts are guaranteed for **three (3) years**. See our terms and conditions on www.eklipselighting.com