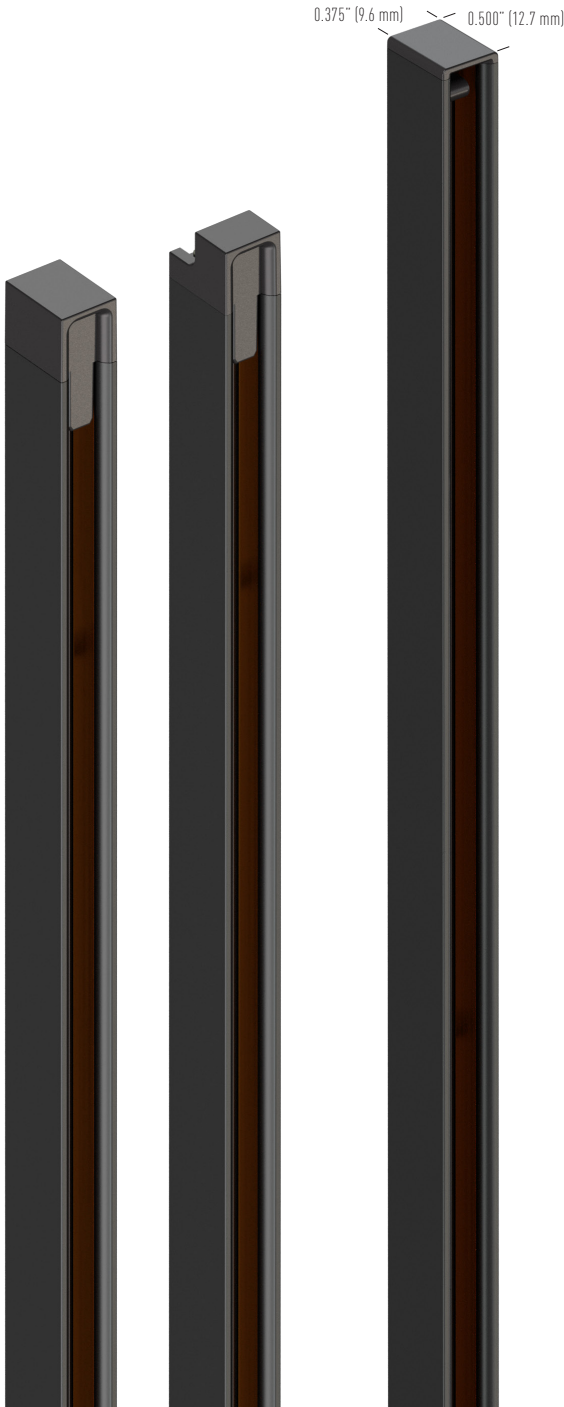


Date \_\_\_\_\_ Specifier \_\_\_\_\_ Project \_\_\_\_\_ Type \_\_\_\_\_



# LIFELINE SURFACE

**A magnetic track system so invisible that light becomes an architectural detail**

**Embeds seamlessly in ceilings and walls to conduct electricity virtually anywhere**

**Infinitely customizable with mini magnetic modules compatible with the LIFELINE system**

## Application



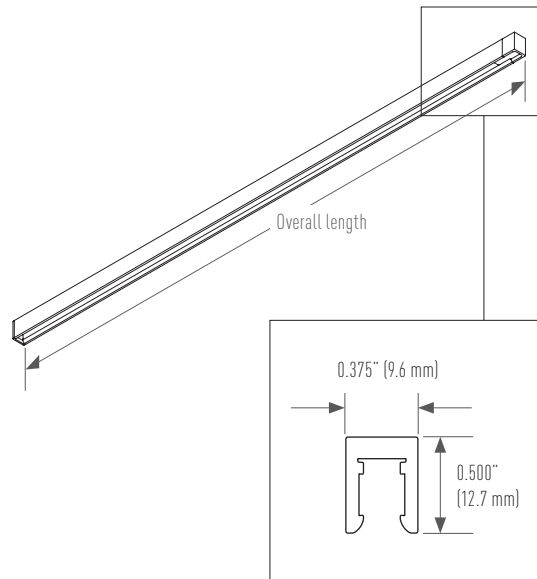
Track system



Supports MILI, PIXIS LIFELINE, PIXIS FIVE LIFELINE

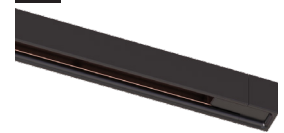
## Physical

### General dimensions

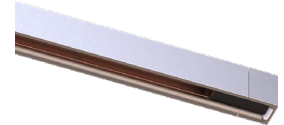


### Finish

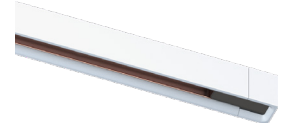
**ABK** Anodized black



**ACL** Anodized clear  
(internal cap always ABK)



**MW** Matte white  
(internal cap always ABK)



### Length specifications

2.7" to 100.0" in increments of 0.1".  
May be customizable over 100".

### Ingress protection

IP20

### Construction

Aluminum body

### Weight

0.11 lbs/ft (160 g/m)

### Storage temperature

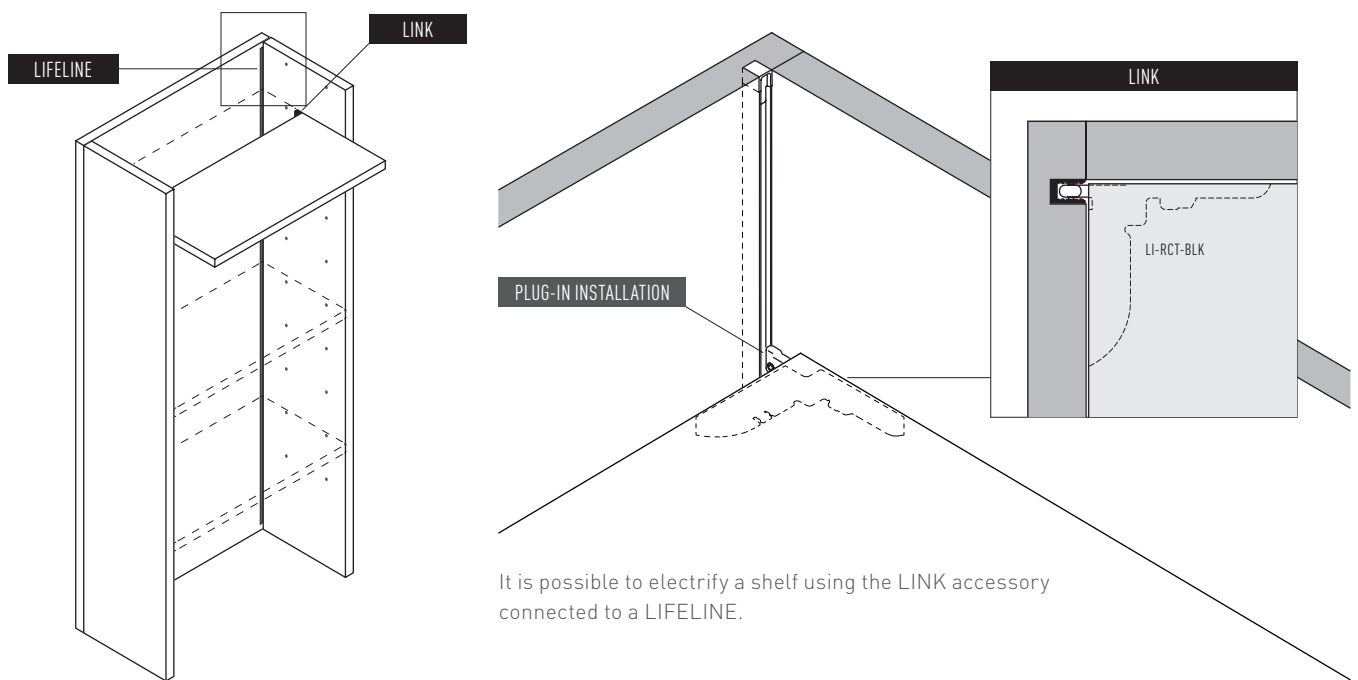
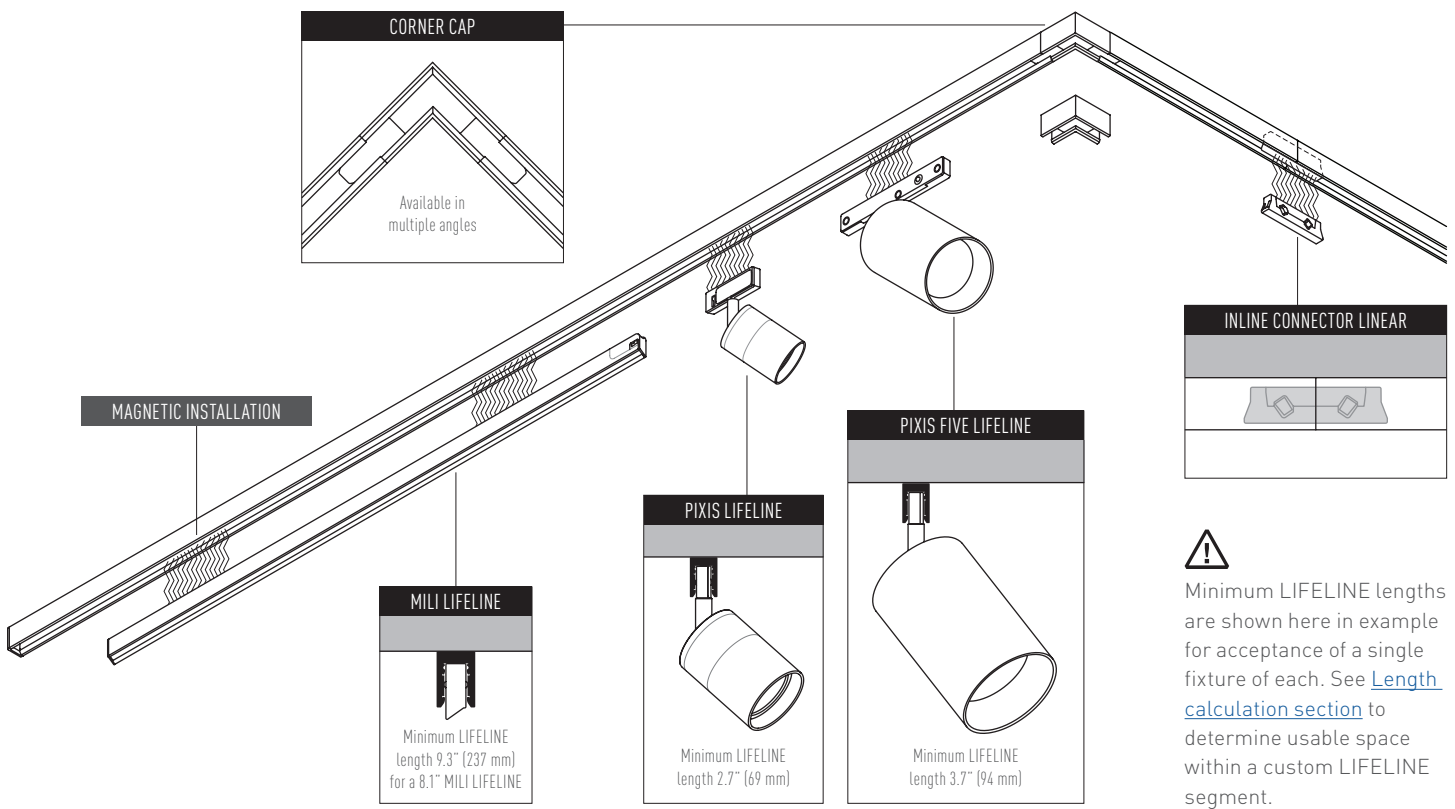
0 °C to 40 °C, <50% RH.

### Operating ambient temperature

0 °C to 40 °C

⚠ Inside fit is always smaller (see [Length calculation section](#)).

## System overview



# Electrical

## Input Voltage

24 VDC in Constant Voltage to be compatible with LIFELINE lighting fixtures and products. LIFELINE tracks are 14 AWG equivalents, however because its loads are distributed along, ignore track lengths when calculating remote power feed allowable cable distances. Account for max voltage drop of 2.5 VDC. For help see [EKLIPSE document K01](#).

## Wiring

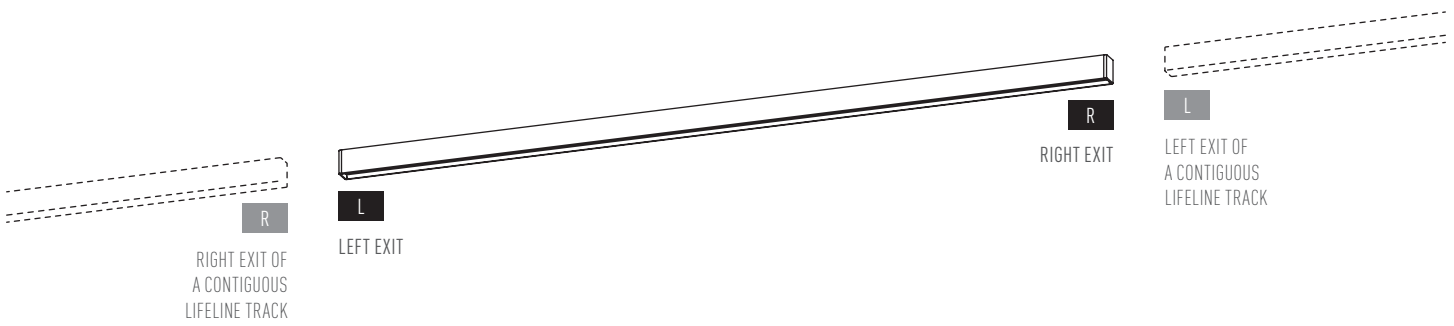
For **CEILING/WALL installation**, wiring option "B12": 12" UL Listed, NEC/CEC compliant CMP **plenum-rated** white cable, 2x 20 AWG and asymmetrically aligned crimp Butt splices for permanent connection. Class 2 wiring: no junction box required. Maintenance: splice accessible by pulling LIFELINE off the CEILING/WALL.

In **MILLWORK applications**, all wiring options: UL certified AWM black cable style 2464, 2x 20 AWG. Maintenance: follow furniture/millwork designer instructions.

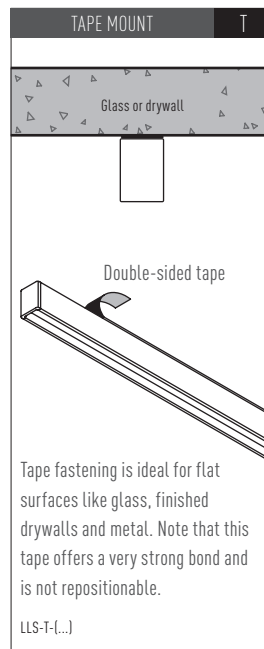
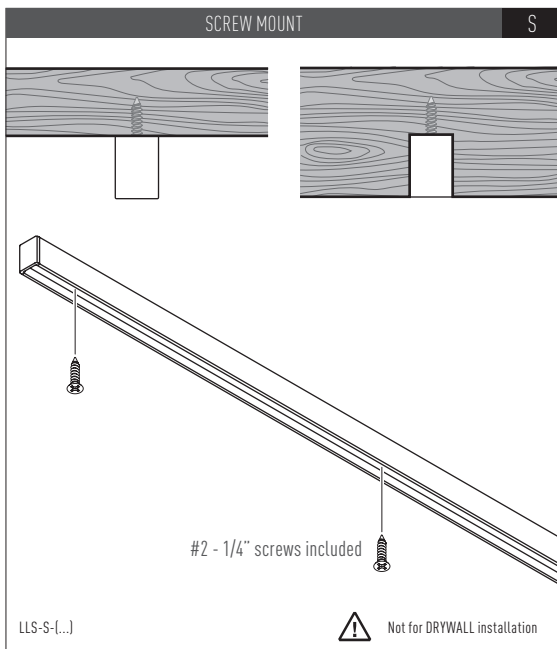
## Max load

In North America: 100 W or 4.1A @24 VDC, per class 2 limits, by UL and the National Electrical Code (NEC) / Canadian Electrical Code (CEC).

## Naming rule for wiring specification



## Mounting options



## Length calculation

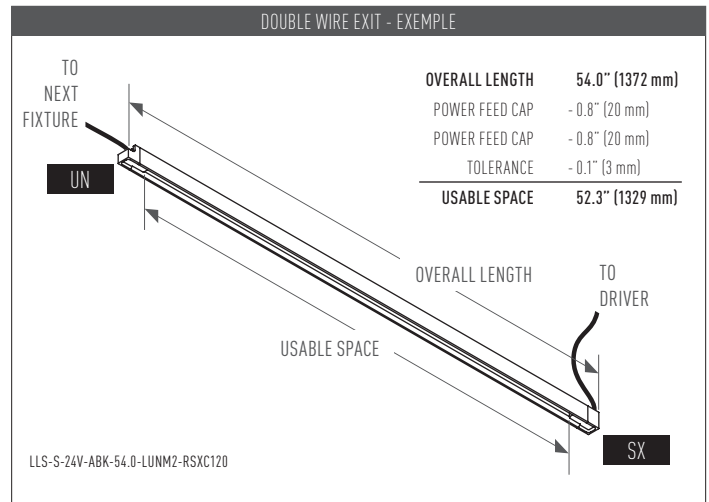
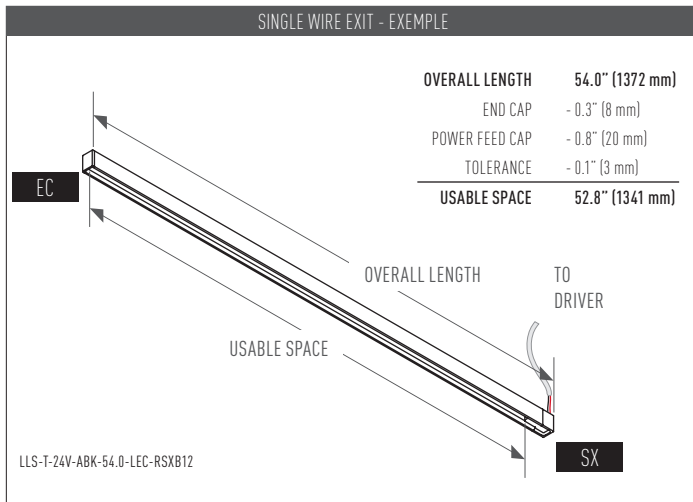
**LIFELINE** is built to match the “end-to-end” length specified in the order code. However, usable space to mount products *within* **LIFELINE** is always *less* than its overall length, due to the space taken off by each end cap. To calculate the usable space, subtract each connector in-channel length from the overall length of **LIFELINE** specified. Then subtract another 0.1” (3 mm) off for additional tolerance.

Each **END CAP** takes off 0.3” (8 mm). **EC**

Each **CORNER CAP** takes off 1.3” (33 mm). **CC**

Each **POWER FEED CAP** takes off 0.8” (20 mm). **SX UN**

Each **INLINE CONNECTOR LINEAR** takes off 0.7” (18 mm) on each side.



## Installation type

### Ceiling/wall installation

#### CAP OPTIONS

**SURFACE POWER FEED CAP SX**

Ideal choice for surface/ceiling installation. Power feed cable and through hole are completely hidden.

**THROUGH WIRE EXIT**

**CORNER CAP INTERFACE CC**

Specify option **CC** at each end to interface fit a corner cap accessory when joining two **LIFELINE** segments at an angle. Refer to [corner cap accessory](#).

⚠ Corner cap accessory to be ORDERED SEPARATELY.

**END CAP EC**

Specify **EC** cap for end of run (i.e. no cable feeds this segment end).

**OPEN OP**

Specify **OP** (no cap) for connection to next inline track section. Requires the adjacent track end to be **OP** also.

⚠ Requires **INLINE CONNECTOR** accessory to be ORDERED SEPARATELY (see [Accessories section](#)).

#### CONNECTOR AND WIRE LENGTH OPTIONS

ⓘ In order to comply with electrical codes, only butt spliced connections are allowed inside the building walls or ceilings.

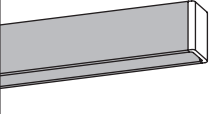
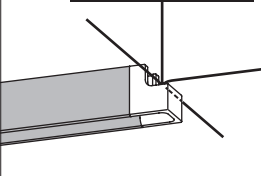
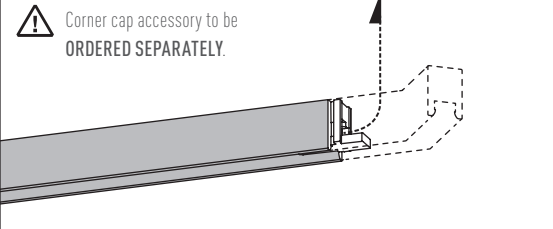
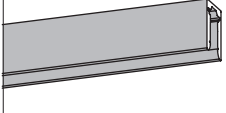
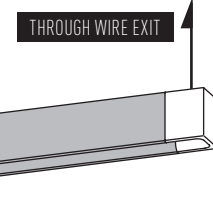
**CABLE WITH BUTT SPLICE B 12**

**SX** power feed cap with **option B12** (CMP Cable with inline Butt splice crimps) is required for a discreet ceiling/wall installation with hidden wires. See [Electrical section](#) for wiring details.

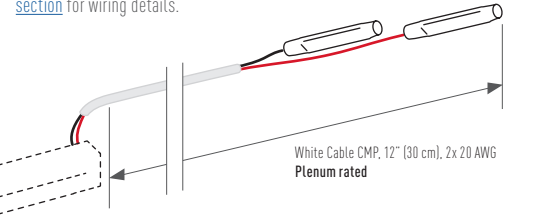
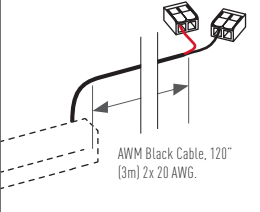
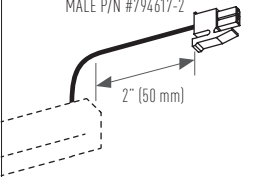
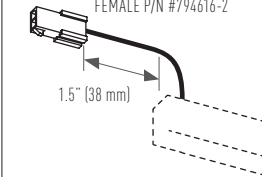
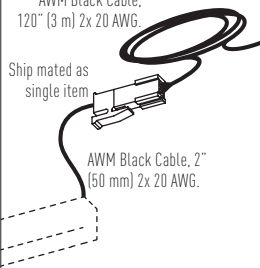
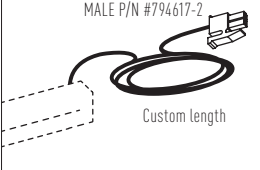
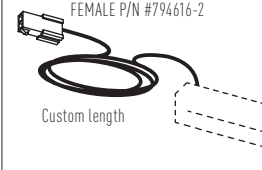
White Cable CMP, 12" (30 cm), 2x 20 AWG Plenum rated

## Millwork installation

### CAP OPTIONS

<p><b>END CAP</b>      <b>EC</b></p> <p>Specify <b>EC</b> cap for end of run (i.e. no cable feeds this segment end).</p> 	<p><b>UNIVERSAL POWER FEED CAP</b>      <b>UN</b></p> <p>Ideal choice for recessed integration. Wire can be routed out to any direction.</p> <p><b>UNIVERSAL WIRE EXIT</b></p> 	<p><b>CORNER CAP INTERFACE</b>      <b>CC</b></p> <p>Specify option <b>CC</b> at each end to interface fit a corner cap accessory when joining two LIFELINE segments at an angle. Refer to <a href="#">corner cap accessory</a>.</p> <p>⚠ Corner cap accessory to be <b>ORDERED SEPARATELY</b>.</p> 	<p><b>OPEN</b>      <b>OP</b></p> <p>Specify <b>OP</b> (no cap) for connection to next inline track section. Req. other segment end to specify <b>OP</b>.</p> <p>⚠ Requires <b>INLINE CONNECTOR</b> accessory to be <b>ORDERED SEPARATELY</b> (see <a href="#">Accessories section</a>).</p> 
<p><b>SURFACE POWER FEED CAP</b>      <b>SX</b></p> <p>Ideal choice for surface installation. Power feed cable and through hole are completely hidden.</p> <p><b>THROUGH WIRE EXIT</b></p> 			

### CONNECTOR AND WIRE LENGTH OPTIONS

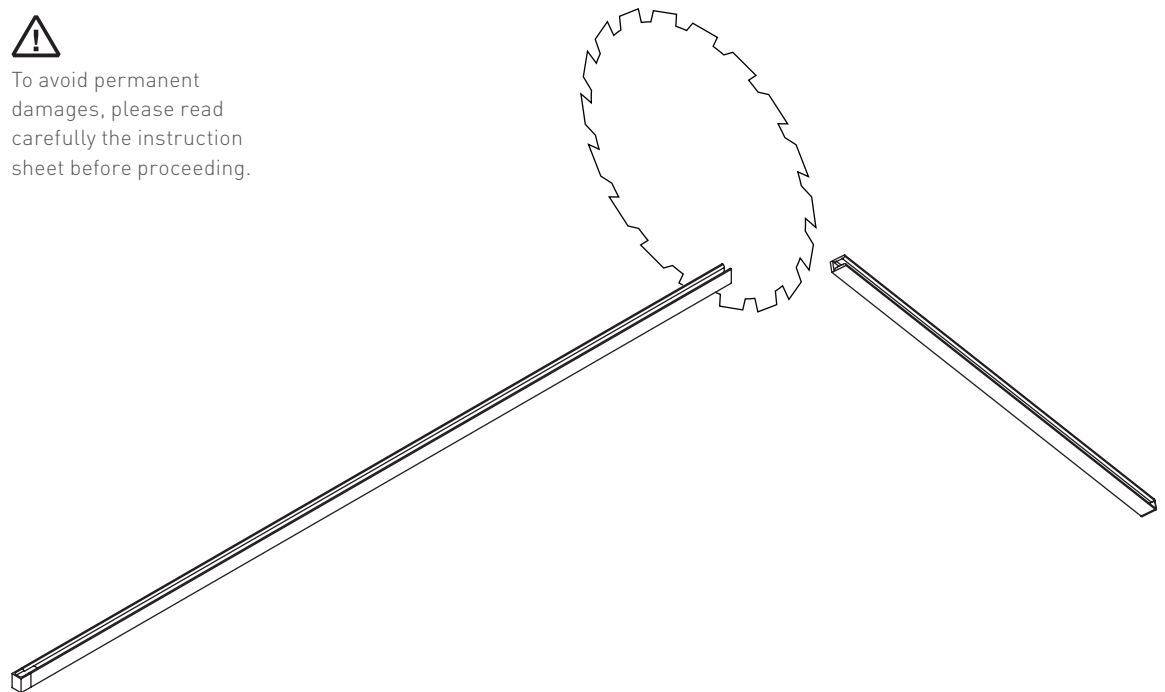
<p><b>CABLE WITH BUTT SPLICE</b>      <b>B</b>      12</p> <p>Power feed cap with option <b>B12</b> (CMP Cable with inline Butt splice crimps) is required for a discreet ceiling/wall installation with hidden wires. See <a href="#">Electrical section</a> for wiring details.</p>  <p>White Cable CMP, 12" (30 cm), 2x 20 AWG Plenum rated</p>	<p><b>STANDARD CABLE</b>      <b>C</b>      120</p> <p>Standard cable with bare ends (incl. lever-nut connectors).</p>  <p>AWM Black Cable, 120" (3m) 2x 20 AWG.</p>	<p><b>MALE QUICK CONNECTOR</b>      <b>M</b>      2</p> <p>TE Mate-N-Lok Quick Connectors are used to feed power across segments.</p> <p>MALE P/N #794617-2</p>  <p>2" (50 mm)</p>	<p><b>FEMALE QUICK CONN.</b>      <b>F</b>      1.5</p> <p>TE Mate-N-Lok Quick Connectors are used to feed power across segments.</p> <p>FEMALE P/N #794616-2</p>  <p>1.5" (38 mm)</p>
<p><b>QUICK CONNECT CABLE</b>      <b>Q</b>      122</p> <p>AWM Black Cable, 120" (3 m) 2x 20 AWG.</p> <p>Ship mated as single item</p>  <p>AWM Black Cable, 2" (50 mm) 2x 20 AWG.</p>	<p><b>MALE QUICK CONNECTOR</b>      <b>M</b>      ###</p> <p>Always specify <b>CUSTOM LENGTH</b> cable in inches by whole number in code following <b>M</b>, up to 120" max.</p> <p>MALE P/N #794617-2</p>  <p>Custom length</p>	<p><b>FEMALE QUICK CONN.</b>      <b>F</b>      ###</p> <p>Always specify <b>CUSTOM LENGTH</b> cable in inches by whole number in code following <b>F</b>, up to 120" max.</p> <p>FEMALE P/N #794616-2</p>  <p>Custom length</p>	

## Field cut

LIFELINE track is field cuttable with a miter saw.



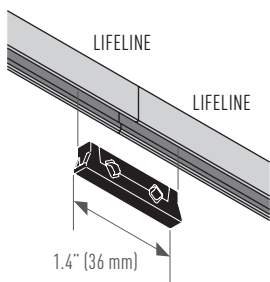
To avoid permanent damages, please read carefully the instruction sheet before proceeding.



## Accessories

### Inline connector

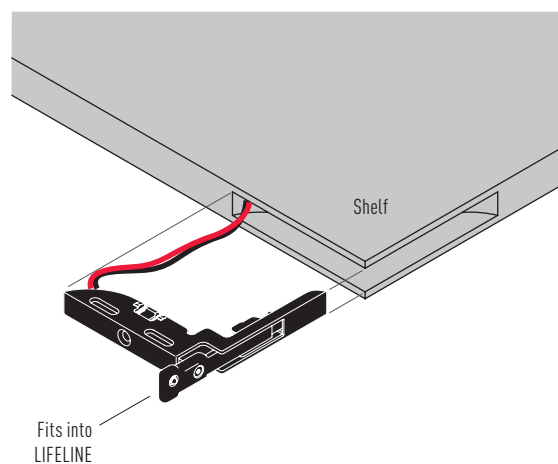
LL-ICL-ABK



Inline Connectors for Linears, enable powering contiguous LIFELINE segments using a single power feed.

### LINK

LI-RCT-BLK

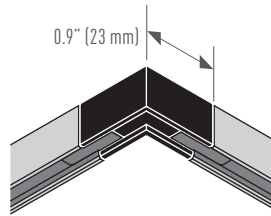


LINK connector brings light in the shelving system without wires external to shelf for reconfigurable showcase displays and cabinets. [Download specsheet](#)

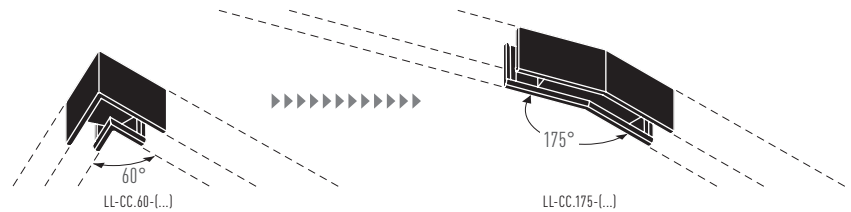
## Corner cap

LL-CC.###-FINISH

Required accessory (not included) when specifying CC interface option to both ends. Accessory cap is a mechanical joint only.



Angles available between 60° and 175° in 5° increments.



### WIRING OPTIONS FOR CORNER CAP

**BOTH CIRCUIT ENDS**

LLS-(...)-RCCI      LLS-(...)-LCCI-(...)

Specify option **I** for both insulated ends (i.e. power feeds are at the other ends).

**ELECTRICAL CONNECTION**

LLS-(...)-RCCP      LLS-(...)-LCCI-(...)

Specify option **P** at one segment end (**R**) to electrically connect across. Requires opposite end (**L**) of the other segment to specify option **I** to be the connecting input for **P** end.

**BOTH POWER FEEDS**

White Cable CMP, 12" (30 cm), 2x 20 AWG Plenum rated

AWM Black Cable, 120" (3m) 2x 20 AWG.

Ship mated as single item with an AWM Black Cable, 2" (50 mm) 2x 20 AWG.

LLS-(...)-RCCB12      LLS-(...)-LCCB12-(...)

LLS-(...)-RCCC120      LLS-(...)-LCCC120-(...)

LLS-(...)-RCCO122      LLS-(...)-LCCO122-(...)

**B** 12      **B** 12      **C** 120      **C** 120      **Q** 122      **Q** 122

If circuits are separate, specify options **B**, **C**, **Q** if feeding power through this end through the corner joint.

**ONE POWER FEED**

White Cable CMP, 12" (30 cm), 2x 20 AWG Plenum rated

AWM Black Cable, 120" (3m) 2x 20 AWG.

Ship mated as single item with an AWM Black Cable, 2" (50 mm) 2x 20 AWG.

LLS-(...)-RCCI      LLS-(...)-LCCB12-(...)

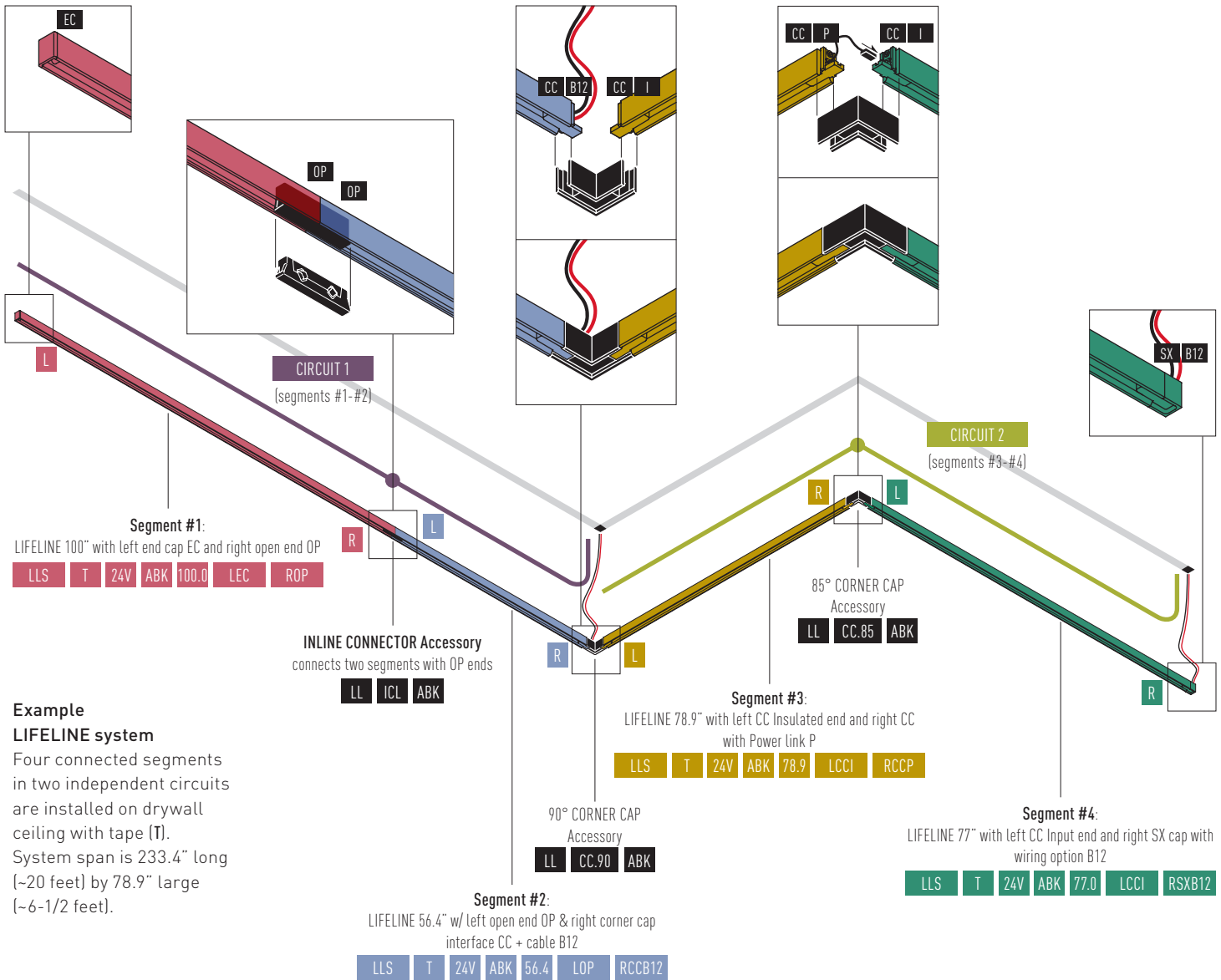
LLS-(...)-RCCI      LLS-(...)-LCCC120-(...)

LLS-(...)-RCCI      LLS-(...)-LCCO122-(...)

**I**      **B** 12      **I**      **C** 120      **I**      **Q** 122

Specify **I** where one of the sides is the circuit end. Both left (**L**) and right (**R**) ends are available for wiring.

# Specifying a LIFELINE system



**Example LIFELINE system**  
 Four connected segments in two independent circuits are installed on drywall ceiling with tape (T). System span is 233.4" long (~20 feet) by 78.9" large (~6-1/2 feet).

## Example - Track segments - Order Codes

Segment #1	LLS-T-24V-ABK-100.0-LEC-ROP
Segment #2	LLS-T-24V-ABK-56.4-LOP-RCCB12
Segment #3	LLS-T-24V-ABK-78.9-LCCI-RCCP
Segment #4	LLS-T-24V-ABK-77.0-LCCI-RSXB12

## Example - Accessories - Order Codes

Inline connector linear	LL-ICL-ABK
90° corner cap	LL-CC.90-ABK
85° corner cap	LL-CC.85-ABK


A custom LIFELINE system is specified by listing order codes of each item (track segment or accessory).

When the order code system is mastered, a plan is not needed to process your order.

No sub-assembly: each line item is packed separately.



# Ceiling/wall installation ordering code

PRODUCT		CORE OPTIONS			EXTENDED OPTIONS								
ID	MOUNTING OPTIONS	INPUT	FINISH	LENGTH	WIRING OPTIONS								
LLS	T S	24V	ABK ACL MW	2.7 to 100.0	EXIT	END	CONN.	LENGTH	EXIT	END	CONN.	LENGTH	
LLS	T		ABK	In inches	L	SX	B	12	R	SX	B	12	
LIFELINE SURFACE	S		ACL	Specifiable by 0.1" increments.		CC	P			CC	B	B	12
			MW	 Usable space is always LESS than LENGTH. See <a href="#">Length calculation section</a> .		OP	I			OP	P	P	
							EC				EC	I	I

LIFELINE overall length and connection lengths are always specified in inches. Convert mm lengths to inches in order codes.

Custom cable lengths not available for CEILING/WALL installations. For further details, refer to [cable/connectors section](#).

[For remote power - Cable length limits, see our document K01](#)

**SX**  
Surface mount power feed cap

**UN**  
Universal power feed cap; for recessed installation or total freedom with cable routing path

**CC**  
CC Interface end cap; Required to mate with corner cap accessory (to order separately)

**OP**  
Open end; no cap option. To feed electrical to adjacent track, requires linear inline connector accessory (to order separately)

**EC**  
End cap; for track ends without any connections

**B12**  
12" CMP Cable (2x 20 AWG) with inline butt splice crimps. Required for ceiling/wall install.

**P**  
Only with CC cap "Power link" feeds electrical to adjacent CC joined track. Must mate with I input link from adjacent corner joined track.

**I**  
Only with CC cap "Insulated/Input link" is a dual use option. Its insulated terminated as in mechanical joining only of track segments. Its also an input link that can accept Power link connector from adjacent track (CCP)

ORDERING CODE	EXAMPLE	LLS	-	T	-	24V	-	ACL	-	INCHES	-	62.5	-	LSXB12 - REC
			-		-		-		-		-		-	
			-		-		-		-		-		-	
			-		-		-		-		-		-	

► **Specification sheet**

Integration instructions

Installation instructions

# Millwork installation ordering code

PRODUCT		CORE OPTIONS			EXTENDED OPTIONS							
ID	MOUNTING OPTIONS	INPUT	FINISH	LENGTH	WIRING OPTIONS							
<b>LLS</b>	<b>T</b>	<b>24V</b>	<b>ABK</b>	<b>2.7 to 100.0</b>	EXIT	END	CONN.	LENGTH	EXIT	END	CONN.	LENGTH
LLS LIFELINE SURFACE	<b>S</b>	24V	<b>ABK</b> Anodized black	In inches  Specifiable by 0.1" increments.   Usable space is always LESS than LENGTH. See <a href="#">Length calculation section.</a>	L	SX	B	12	R	SX	B	12
							C	120			C	120
							M	2			M	CUSTOM
							F	1.5			F	CUSTOM
							Q	122			Q	122
							B	12			B	12
	C		120		C	120						
	M		2		M	CUSTOM						
	F		1.5		F	CUSTOM						
	Q		122		Q	122						
	B		12		B	12						
	C		120		C	120						
Q	122	Q	122									
P		P										
I		I										
OP		OP										
EC		EC										

- SX**  
Surface mount power feed cap
- UN**  
Universal power feed cap; for recessed installation or total freedom with cable routing path
- CC**  
CC Interface end cap; Required to mate with corner cap accessory (to order separately)
- OP**  
Open end; no cap option. To feed electrical to adjacent track, requires linear inline connector accessory (to order separately)
- EC**  
End cap; for track ends without any connections
- C120**  
120" cable standard UL with bare wire ends and lever-nut connectors
- M2**  
Male Quick Connect with 2" standard UL appliance cable
- F**  
Female Quick Connect with 1.5" standard UL appliance cable
- B12**  
12" CMP Cable (2x 20 AWG) with inline butt splice crimps. Required for ceiling/wall install.
- Q122**  
2" Cable with Male Quick Connect mated to female 120" UL standard appliance cable.
- P**  
**Only with CC cap**  
"Power link" feeds electrical to adjacent CC joined track. Must mate with I input link from adjacent corner joined track.
- I**  
**Only with CC cap**  
"Insulated/Input link" is a dual use option. Its insulated terminated as in mechanical joining only of track segments. Its also an input link that can accept Power Link connector from adjacent track (CCP)

LIFELINE overall length and connection lengths are always specified in inches. Convert mm lengths to inches in order codes.

Custom AWM cable lengths available for Millwork standard (C) and quick connectors terminated (M, F). For further details, refer to [End options section.](#)

[For remote power - Cable length limits, see our document K01](#)

ORDERING CODE	EXAMPLE	LLS	-	S	-	24V	-	ABK	-	INCHES 100.0	-	LUNC120 - REC
			-		-		-		-		-	
			-		-		-		-		-	
			-		-		-		-		-	

Brochure

► **Specification sheet**

Integration instructions

Installation instructions

## Accessories ordering code

### Inline connector

LL ICL ABK

ORDERING CODE	<input type="text"/>	-	<input type="text"/>	-	<input type="text"/>
	<input type="text"/>	-	<input type="text"/>	-	<input type="text"/>
	<input type="text"/>	-	<input type="text"/>	-	<input type="text"/>

### Link

LI RCT BLK

ORDERING CODE	<input type="text"/>	-	<input type="text"/>	-	<input type="text"/>
	<input type="text"/>	-	<input type="text"/>	-	<input type="text"/>
	<input type="text"/>	-	<input type="text"/>	-	<input type="text"/>

### Corner cap

ORDERING CODE	LL	CC.60	ABK
		CC.65	ACL
		CC.70	MW
		CC.75	ABK
		CC.80	Anodized black
		CC.85	ACL
		CC.90	Anodized clear
		CC.95	MW
		CC.100	Matte white
		CC.105	
		CC.110	
		CC.115	
		CC.120	
		CC.125	
		CC.130	
		CC.135	
		CC.140	
	CC.145		
	CC.150		
	CC.155		
	CC.160		
	CC.165		
	CC.170		
	CC.175		

**CC.90**  
Default corner cap  
at 90 degrees

**CC.###**  
Custom corner cap  
angle in degrees  
(additional fees  
applied)

ORDERING CODE	EXAMPLE	LL	-	CC.120	-	ABK
		<input type="text"/>	-	<input type="text"/>	-	<input type="text"/>
		<input type="text"/>	-	<input type="text"/>	-	<input type="text"/>
		<input type="text"/>	-	<input type="text"/>	-	<input type="text"/>

ARCHITECTURAL LIGHTING **EKLIPSE**

2090 rue Moreau  
Suite 100  
Montréal, QC - H1W 2M3  
Canada

T +1 514 590 0099  
INT 1 877 590 0099  
F +1 514 590 0098  
sales@eklipselighting.com  
www.eklipselighting.com



## Warranty

Our products and related parts are guaranteed for **three (3) years**. See our terms and conditions on [www.eklipselighting.com](http://www.eklipselighting.com)