

Date _____ Specifier _____ Project _____ Type _____

LIGHT MANAGER

The only flicker-free and silent premium lighting system driver

Built-in dimmer, on/off switch and power monitoring

Drivers link together forming light control and management groups

Application



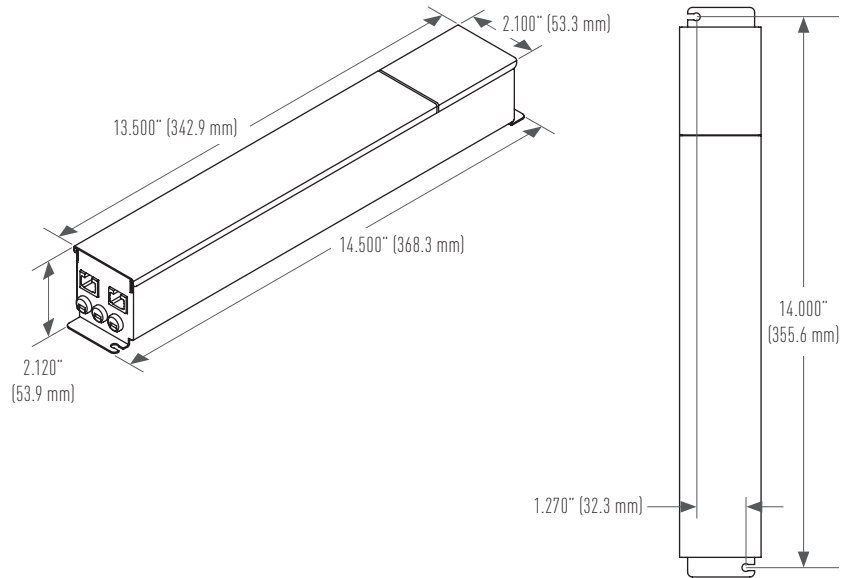
Interior / Dry location only



Dim 1%, smooth startup, dim-to-off

Physical

General dimensions



Construction

Robust 25GA galvanized steel

Weight

24V model 2.75 lbs (1250 g)
 12V model 2.22 lbs (1006 g)

Operating ambient temperature

0 °C to 40 °C



Electrical

LM-24V.100W-....

Mains input
120-240 VAC (50/60 Hz) with slider switch
120-277 VAC (50/60 Hz) with rocker switch

Constant Voltage
24 VDC

Max Output current
4.16 A

Output Power Capacity
100 W

Control technology (choose)
0-10V (native) / DALI / Ecosystem / Wireless

Control features
0.5% dimming with Dim-to-OFF and Smooth StartUp/ShutDown

LM-12V.60W-....

Mains input
120-240 VAC (50/60 Hz) with slider switch

Constant Voltage
12 VDC

Max Output current
5.00 A

Output Power Capacity
60 W

Control technology (choose)
0-10V (native) / DALI / Ecosystem / Wireless

Control features
0.5% dimming with Dim-to-OFF and Smooth StartUp/ShutDown

Other driver features

UL Listed Class 2 Premium Power Supply

Compliant with Title 24 and Energy Star

Luminaires req. v2.2

50 000+ hours Lifetime

89% electrical efficiency

Smooth StartUp/ShutDown:
1280/1090 msec.

Start Time:
180 msec.

Overheat protection

PWM dimming, Flicker-free by IEEE 1789

Silence Guarantee with our industry leading PWM technology @30 kHz (beyond human hearing range)

Inrush Current < 26A @120 VAC, NEMA 410 compliant

Standby Power / Sleep mode when Dimmed-to-off: 2.5 W (independent of load)

Power factor

> 0.95 (max. load)

THD

< 10% (max. load)

Remote Installed

Output cable one-way distance to load.
Max recommended distances (@90 W load / -2.5 V max. loss):
16 AWG (D 1.3 mm) 75 ft. (23 m)
18 AWG (D 1.0 mm) 46 ft. (14 m)
20 AWG (D 0.8 mm) 29 ft. (9 m)

Limits expressed in physical cable length. Also valid for any other driver that operates Eklipse Lighting Products. For complete table and formulas to calculate distances at lower loads, see our [reference document K01](#).

Features overview

1 WIRING COMPARTMENT

Separate wiring compartment for easy and safe installation.

2 PRIMARY POWER SWITCH

The LIGHT MANAGER is equipped with a primary ON/OFF switch.

3 POWER MONITORING FUNCTION

Real-time power consumption of lighting load (in Watts) is displayed when the device is on.

4 BUILT-IN DIMMER (HIGH END TRIM)

PH1 or 3/32" screwdriver

Raise
Dim

Local dimming, brightness control feature, can be adjusted using the built-in rotary switch, as illustrated above. This additional bias control only affects the local driver, leaving networked drivers in Slave mode (SL) unaffected. All drivers still follow external dimming control.

5 VOLTAGE IDENTIFICATION

A color-coded label clearly identifies the output voltage.

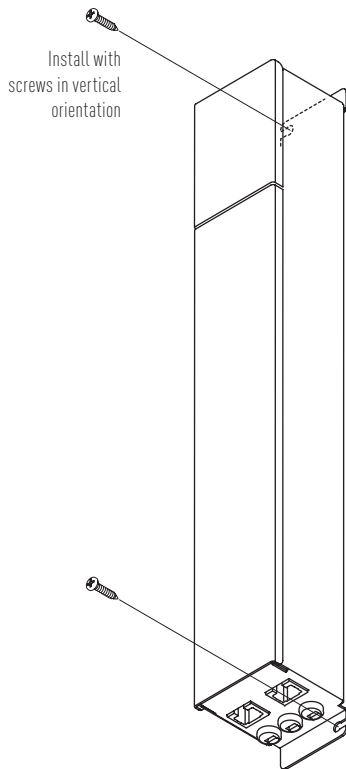
6 MODE SELECTOR

Push this button to switch the operating mode. The LIGHT MANAGER allows five modes: master ON/OFF (OF), exponential dimming (d1), logarithmic dimming (d2), linear dimming (d3) and slave mode (SL).

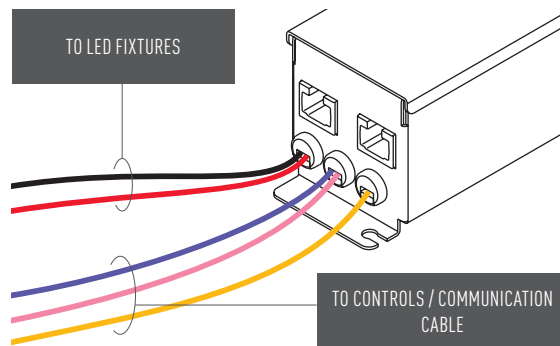
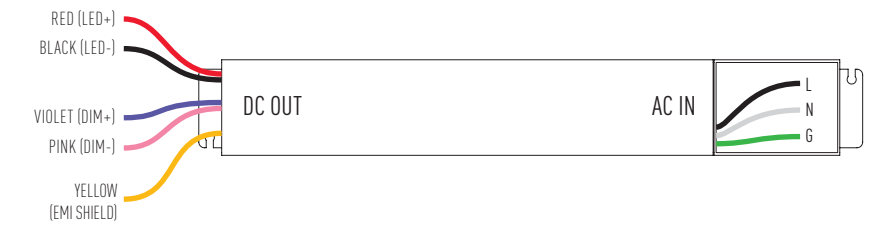
7 SELF-DIAGNOSIS

If at any moment an overload problem occurs, the red light will automatically flash and the error code will appear on the main display.

Installation overview



Wires layout



Cable Shield (yellow):

Connect to the shield drain wire or braid pigtail of a shielded communication cable*. If cable is standard/unshielded, do not use, cap off.

* Recommended >50 feet and in electrically busy/challenging environment to resolve control issues:

General cable (Prysmian Group) - CA0740A, 2x 24 AWG, NEC type CMR, shield (100% coverage foil) with copper drain wire.

◆ The LIGHT MANAGER can be solely operated by the **0-10V** control link: Smooth StartUp (ON), dimmable to 1%, Dim-to-off (OFF).

◆ Its MAINS input doesn't need a switch. Thus, MAINS input power can be provided by an unswitched circuit from the electrical panel.

◆ Class 2 Dimmer recommended (Only purple/pink wires, no mains power, see accessories).

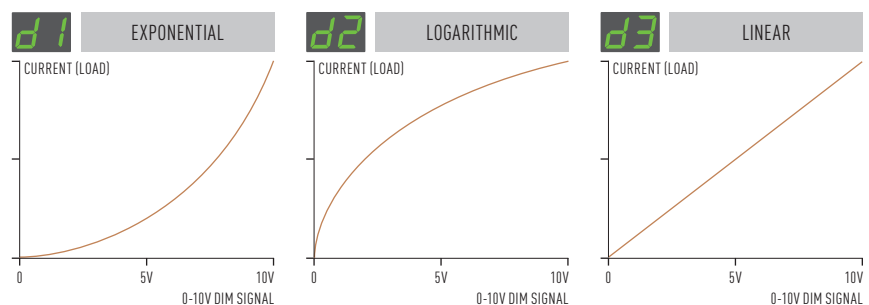
◆ Other control technologies supported (see **Dimming Control Options** section).

Dimming specifications

Start dimming	9.2V
Minimum dimming	< 1.1V
Dim-to-OFF	< 0.9V
Minimum dimming level	< 0.5%
0-10V current max.	1.1 mA load (sink-type)

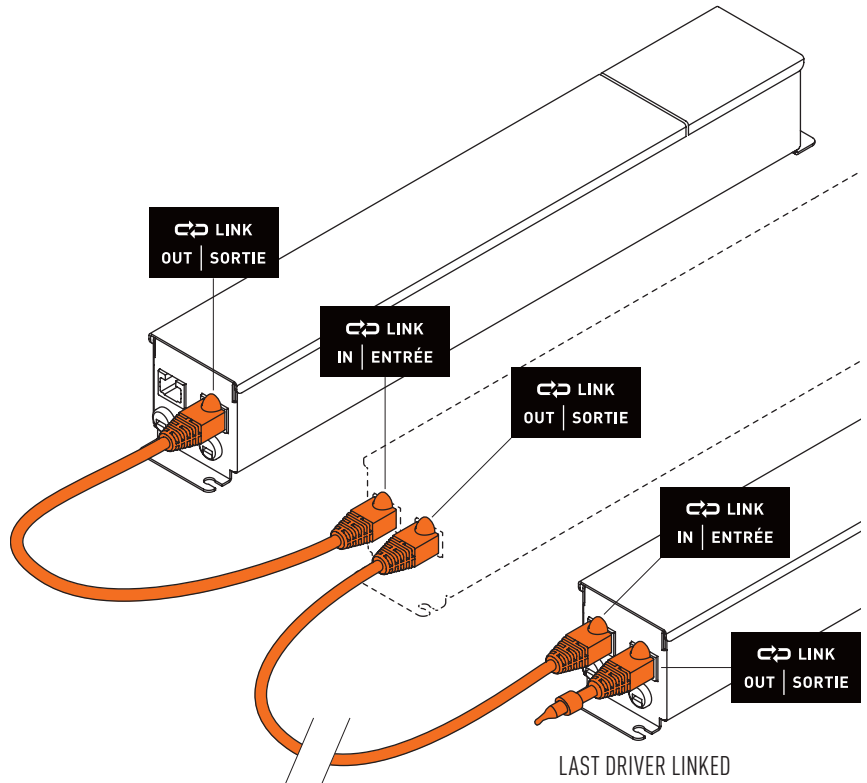
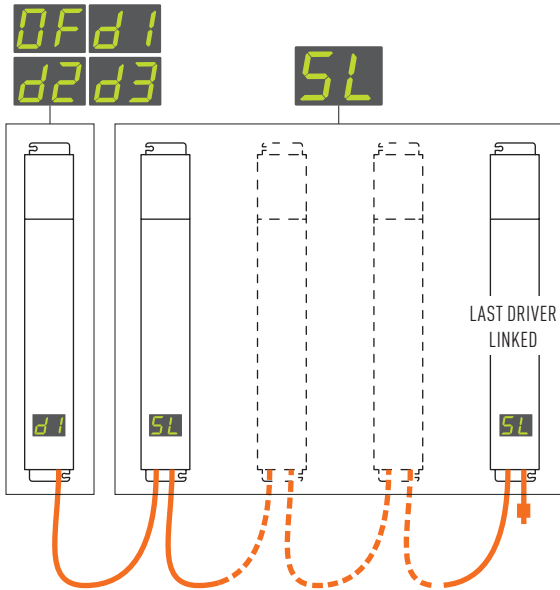
Dimming configuration

The mode selector button allows the LIGHT MANAGER to operate in direct 0-10V input using one of the three dimming curve types. Slave mode (SL) mimics the curve of its Master (d1 - d2 - d3) when network connected.

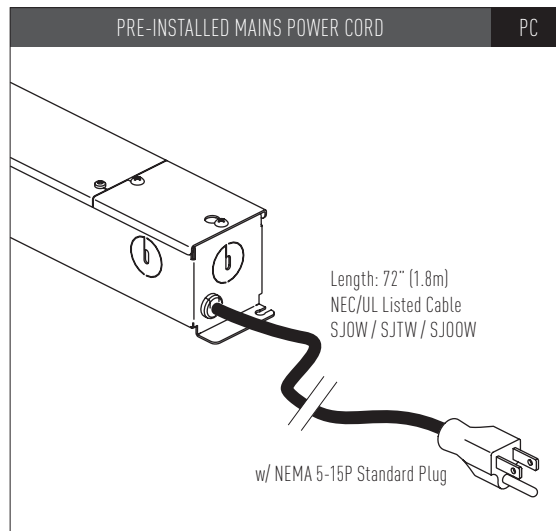
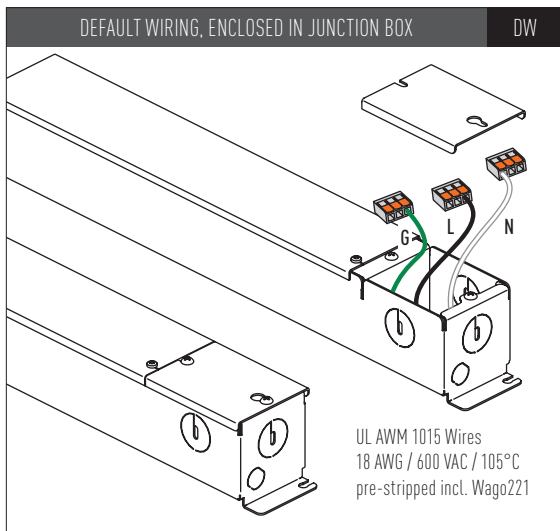


Linking multiple units

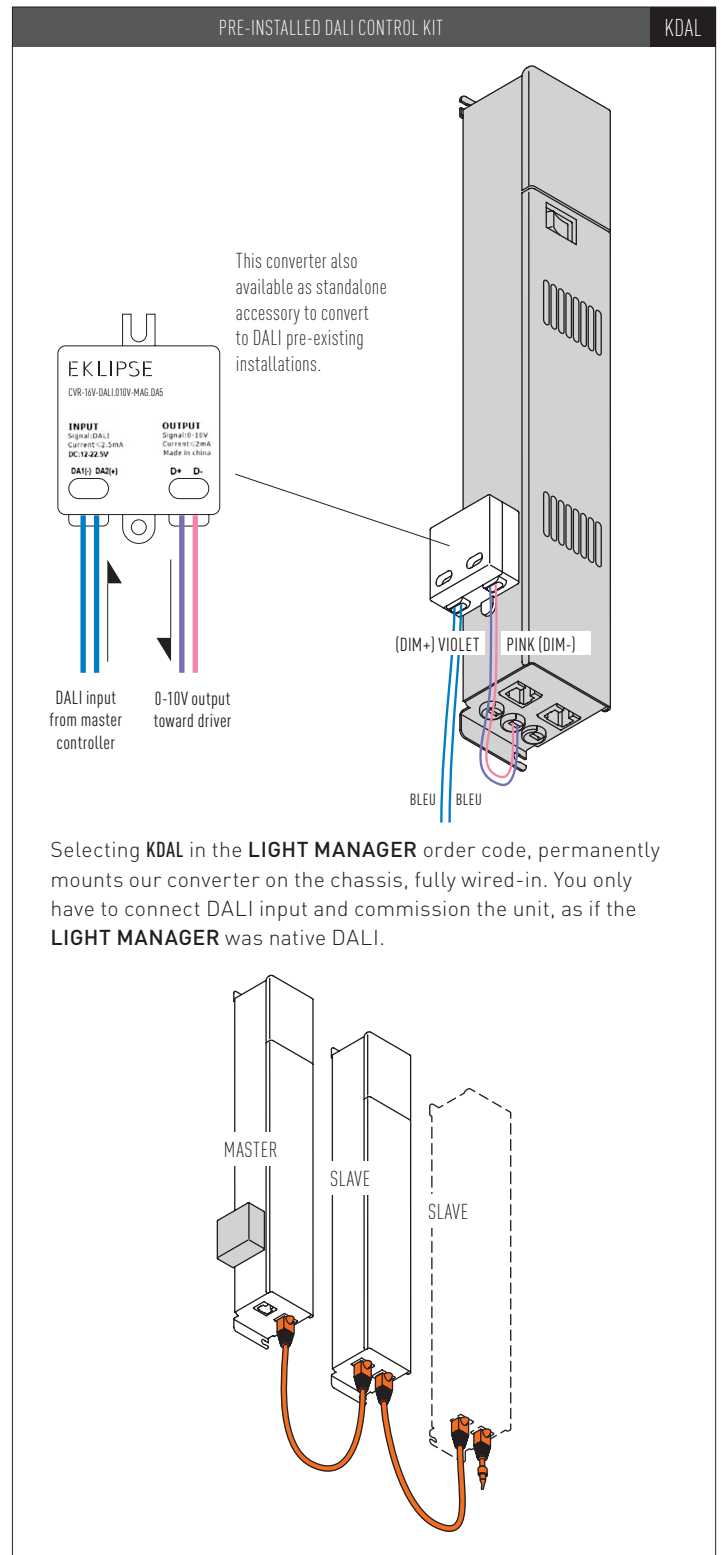
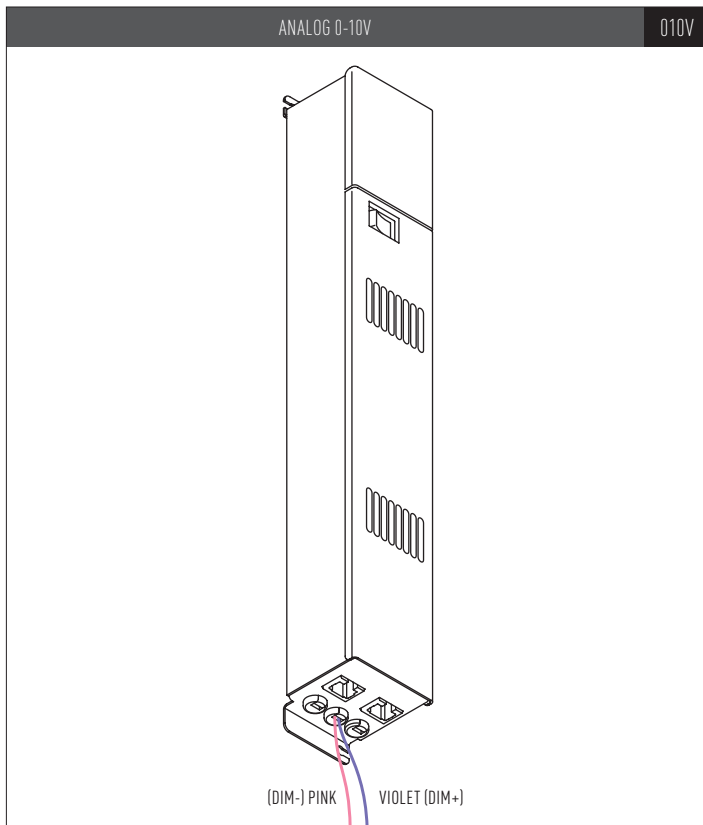
It is possible to link up to 30 LIGHT MANAGER using the supplied 12" RJ-45 cable. The first unit of the chain must be set as **Master** (select either of these 4 modes: **OF**, **d1**, **d2**, **d3**). Set following units into **Slave** mode (**SL**). For group of drivers in multiple locations on the same master control, allocate one master driver per group. Avoid long network cable link to keep units in sync.



Wiring options



Dimming control options



KECO

PRE-INSTALLED ECOSYSTEM CONTROL KIT

JUNCTION BOX

EcoSystem
LUTRON

This converter also available as standalone accessory to convert pre-existing installations to Ecosystem.

DA1 DA2

Selecting **KECO** in the **LIGHT MANAGER** order code, permanently mounts our converter on the chassis, fully wired-in. You only have to connect Ecosystem input and commission the unit, as if the **LIGHT MANAGER** was native Ecosystem.

MASTER SLAVE SLAVE

KLW1

PRE-INSTALLED WIRELESS CONTROL KIT

JUNCTION BOX

RMJS-DTN-DV-B
vive
PowPak

This converter also available as standalone accessory to convert pre-existing installations to Lutron's wireless.

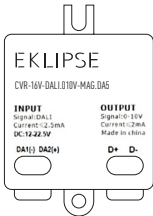
Selecting **KLW1** in the **LIGHT MANAGER** order code, permanently mounts our converter on the chassis, fully wired-in. You only have to commission the unit, as if the **LIGHT MANAGER** was natively supporting Lutron's ClearConnect wireless.

MASTER SLAVE SLAVE

Accessories

DALI to 0-10V converter

CVR-16V-DALI-010V-MAG.DA5



Control converter between DALI (input) and 0-10V (output toward driver). Only one device per driver. Requires 3 mA allocation from DALI network supply to operate. Standalone accessory (doesn't include mounting tape, wires or connectors).

Lutron Ecosystem to 0-10V converter

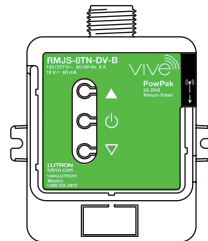
CVL-UNV-ECO.010V-LUT.TVI



Lutron's EcoSystem to 0-10V converter. Ordered as standalone accessory to control multiple drivers in different locations. **MUST BE** mounted into/onto a junction box/enclosure. Discuss install with **EKLIPSE** customer care rep.

Lutron Wireless to 0-10V converter

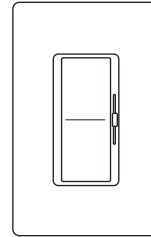
CVL-UNV-LUCC.010V-LUT.RMJS



RMJS ClearConnect adapter enables wireless controls of multiple 0-10V drivers in remote locations by centrally mounting this receiving device into room. Supports Lutron's Pico Wireless Remote Controllers/Dimmers. Also compatible with Lutron's Vive Wifi Technology.

Lutron Diva Dimmer

DD-24V-SP-010V-GWH-LUT.DIVA



Our recommended wall mounted dimmer for residential/architectural. This class 2 low voltage dimmer is self-powered only by 0-10V. **NO MAINS** power. Dimming range customizable with Low/High end trims.

LIGHT MANAGER ordering code

PRODUCT		CORE OPTIONS		
ID	OUTPUT	MAX INPUT	WIRING	CONTROL
LM	24V.100W	240	DW	010V
		277	PC	KDAL
	12V.60W	240		KECO

240
 Default model with slider switch supporting mains: **120-240 VAC**

277
 Option to get the NEW model feat. rocker switch that allows universal mains support: **120-277 VAC**

DW
 Default option, Mains input wires, pre-stripped 8 mm.

PC
 Pre-installed SJOW mains power cord (NEMA 5-15P).

010V
 Default analog 0-10V dimming with Dim-to-OFF.

KDAL
 DALI dimming kit bundled with CVR-16V-DALI.010V-MAG.DA5 wired and mounted to case.

KECO
 Ecosystem dimming kit bundled with CVL-UNV-ECO.010V-LUT.TVI wired and mounted to case.

KLW1
 Lutron ClearConnect wireless dimming kit bundled with CVL-UNV-LUCC.010V-LUT.RMJS wired and mounted to case.

EXAMPLE	ORDERING CODE
LM - 24V.100W - 120 - DW - 010V	

Accessories ordering code

DALI to 0-10V converter

CVR 16V DALI.010V MAG.DA5

ORDERING CODE

Lutron Ecosystem to 0-10V converter

CVL UNV ECO.010V LUT.TVI

ORDERING CODE

Lutron Wireless to 0-10V converter

CVL UNV LUCC.010V LUT.RMJS

ORDERING CODE

Lutron Diva Dimmer

DD 24V SP 010V GWH LUT.DIVA

ORDERING CODE

ARCHITECTURAL LIGHTING **EKLIPSE**

2090 rue Moreau
 Suite 100
 Montréal, QC - H1W 2M3
 Canada

T +1 514 590 0099
 INT 1 877 590 0099
 F +1 514 590 0098
 sales@eklipselighting.com
 www eklipselighting.com



Warranty

Our products and related parts are guaranteed for **three (3) years**. See our terms and conditions on www eklipselighting.com