

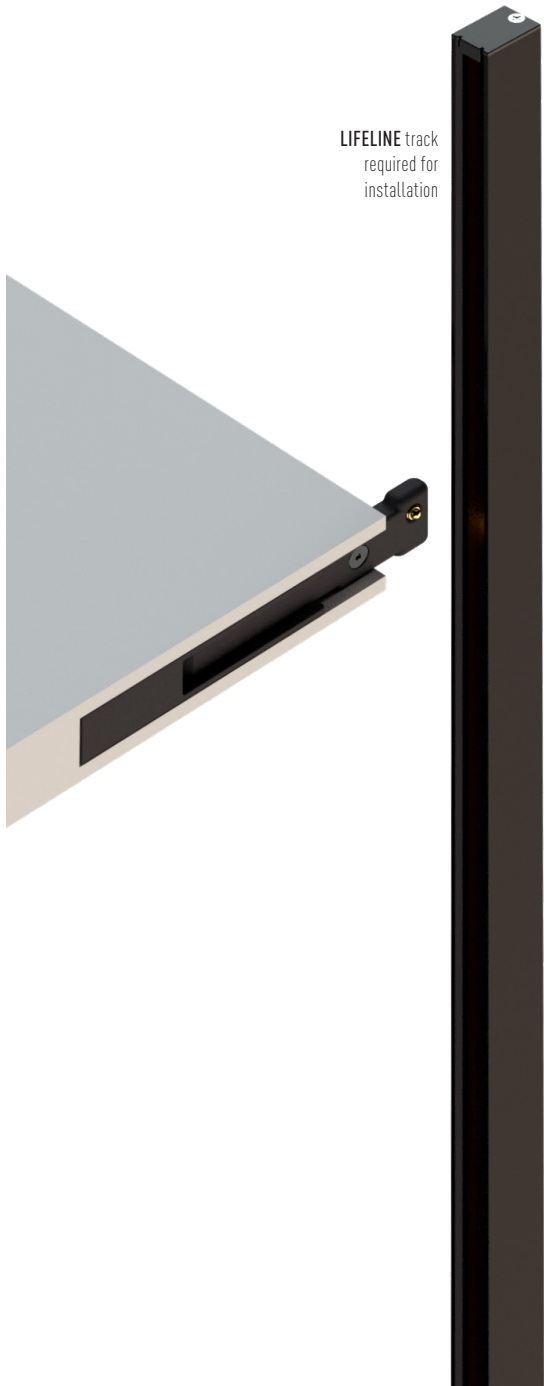
LINK SHELVING SYSTEM

Specification sheet

For Adjustable Shelving



EKLIPSE
ARCHITECTURAL LIGHTING



LIFELINE track
required for
installation

Bring light in the shelving system without using any wire.

Universal polarity makes easy to integrate the system.

LINK is designed to be flexible during insertion in the LIFELINE. It automatically adjusts to fit.

Electrical

Input

Voltage
24 VDC
Current
1.3 A

Output

31 W max load per connector.

Wiring

Connector accepts solid or stranded wires 24 to 18 AWG (0.2-0.75 mm², 0.5-1.0 mm diameter).

Wiring not included

Physical

Construction

Body
Nylon

Operating ambient temperature

0 °C to 40 °C

Finish

Matt black.

MADE IN
FABRIQUÉ AU



CANADA

RÖHS
COMPLIANT

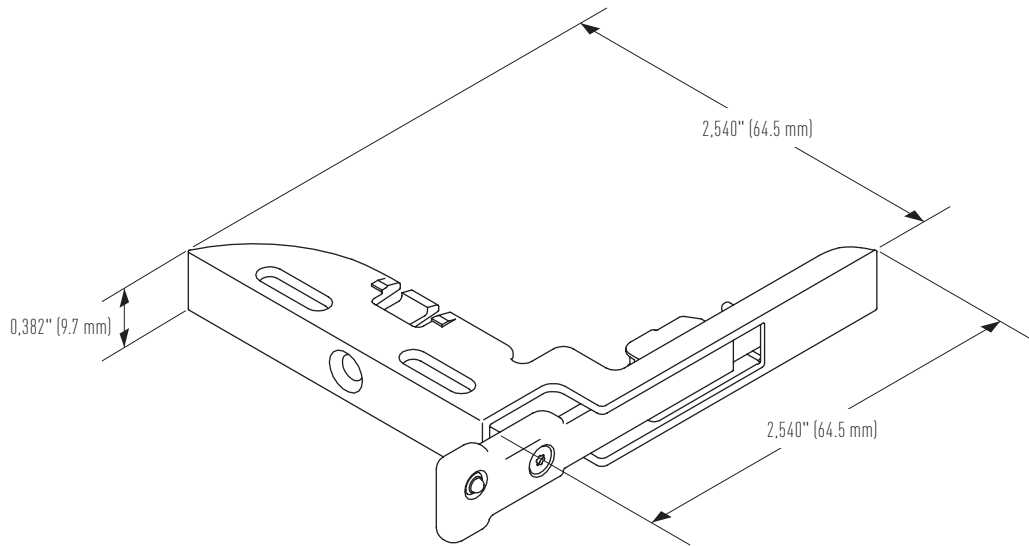
UL
E521795

Interior / Dry
location only

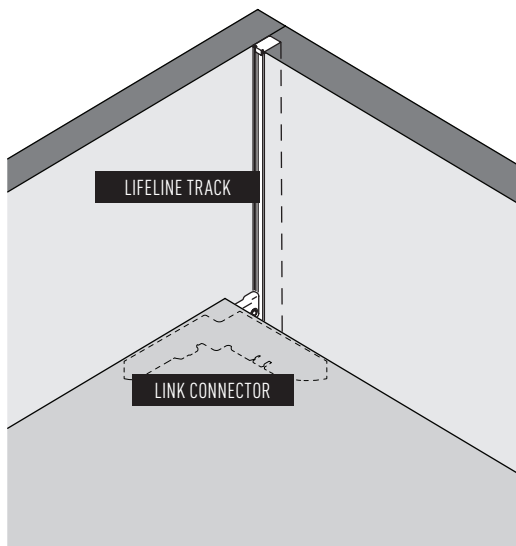


Mates with
LIFELINE

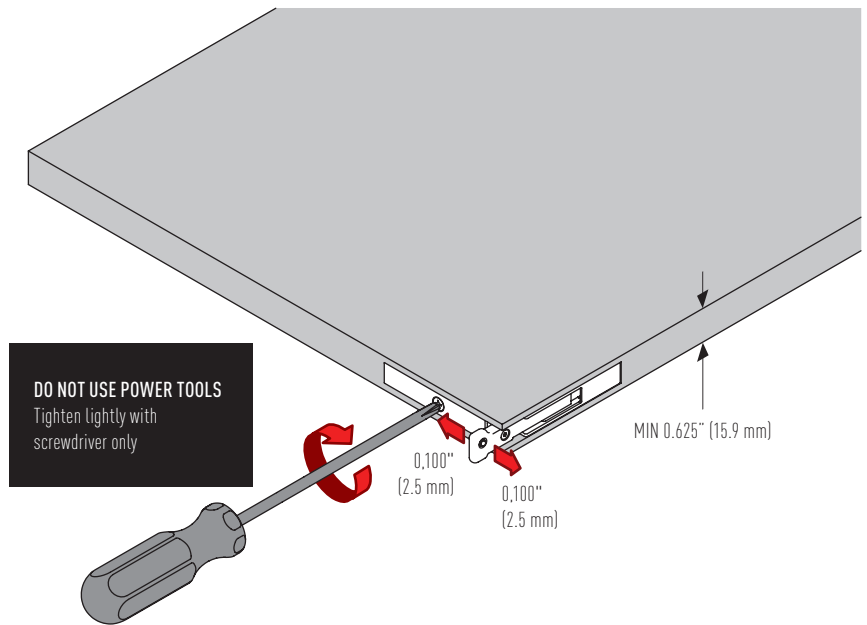




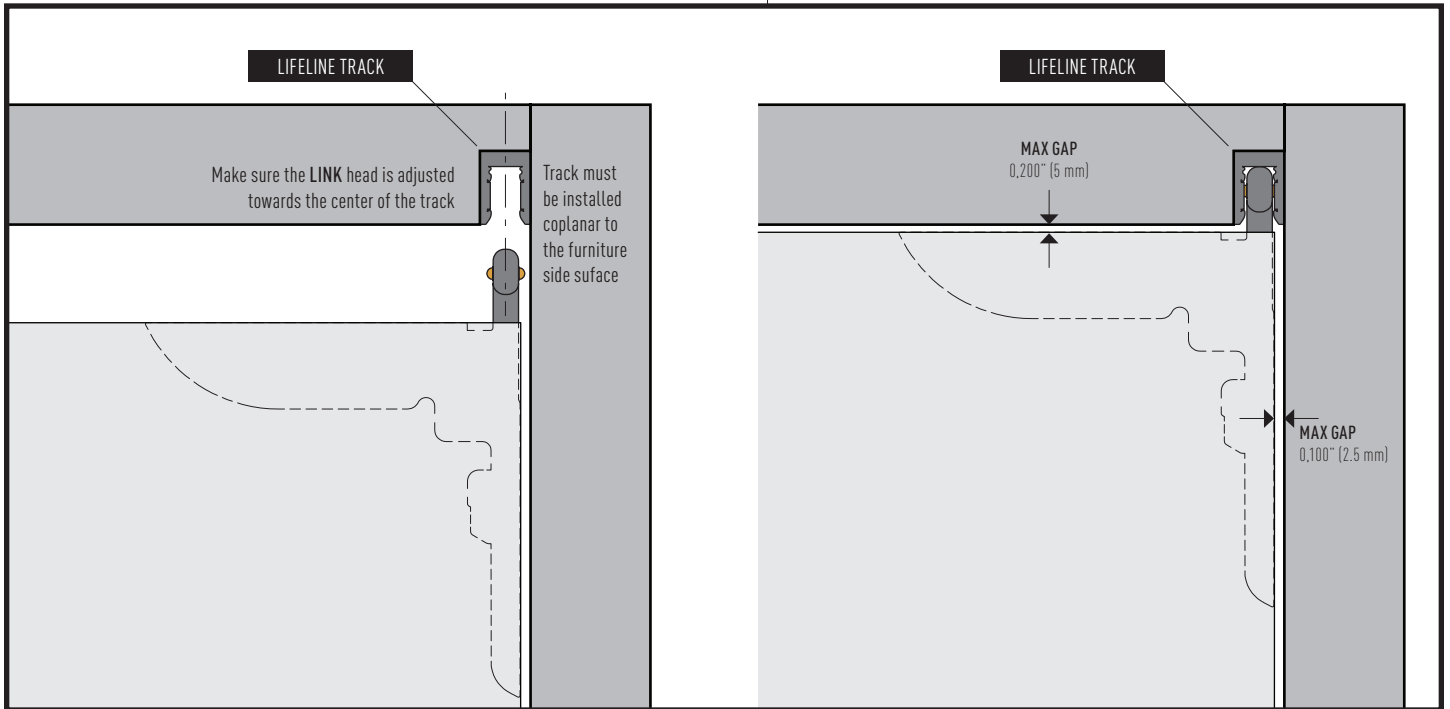
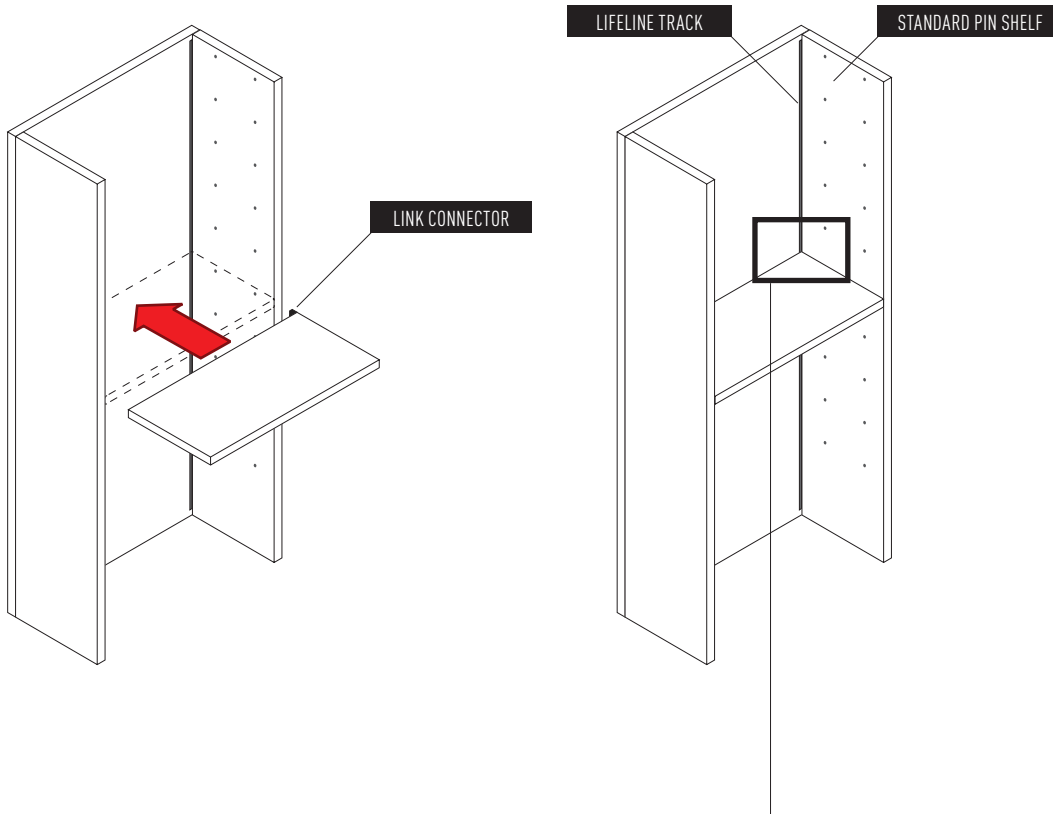
Installation overview



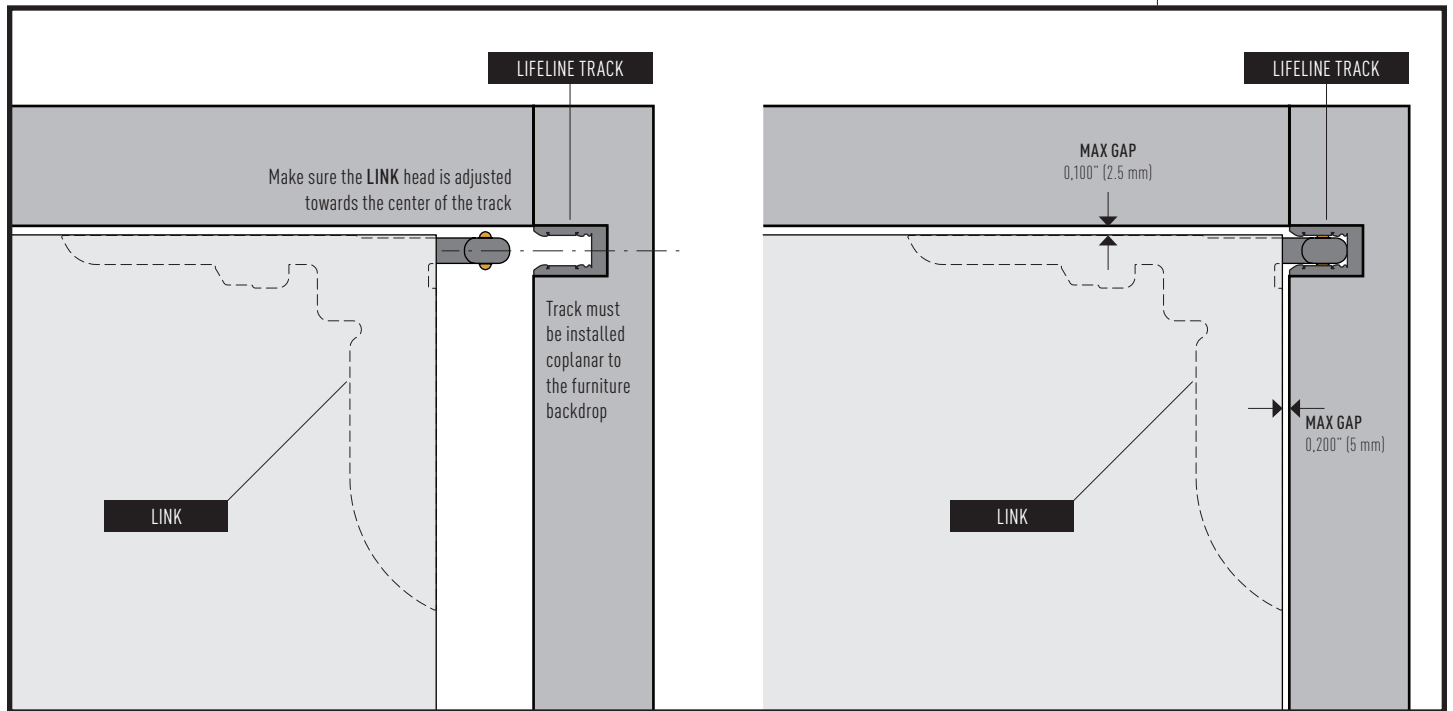
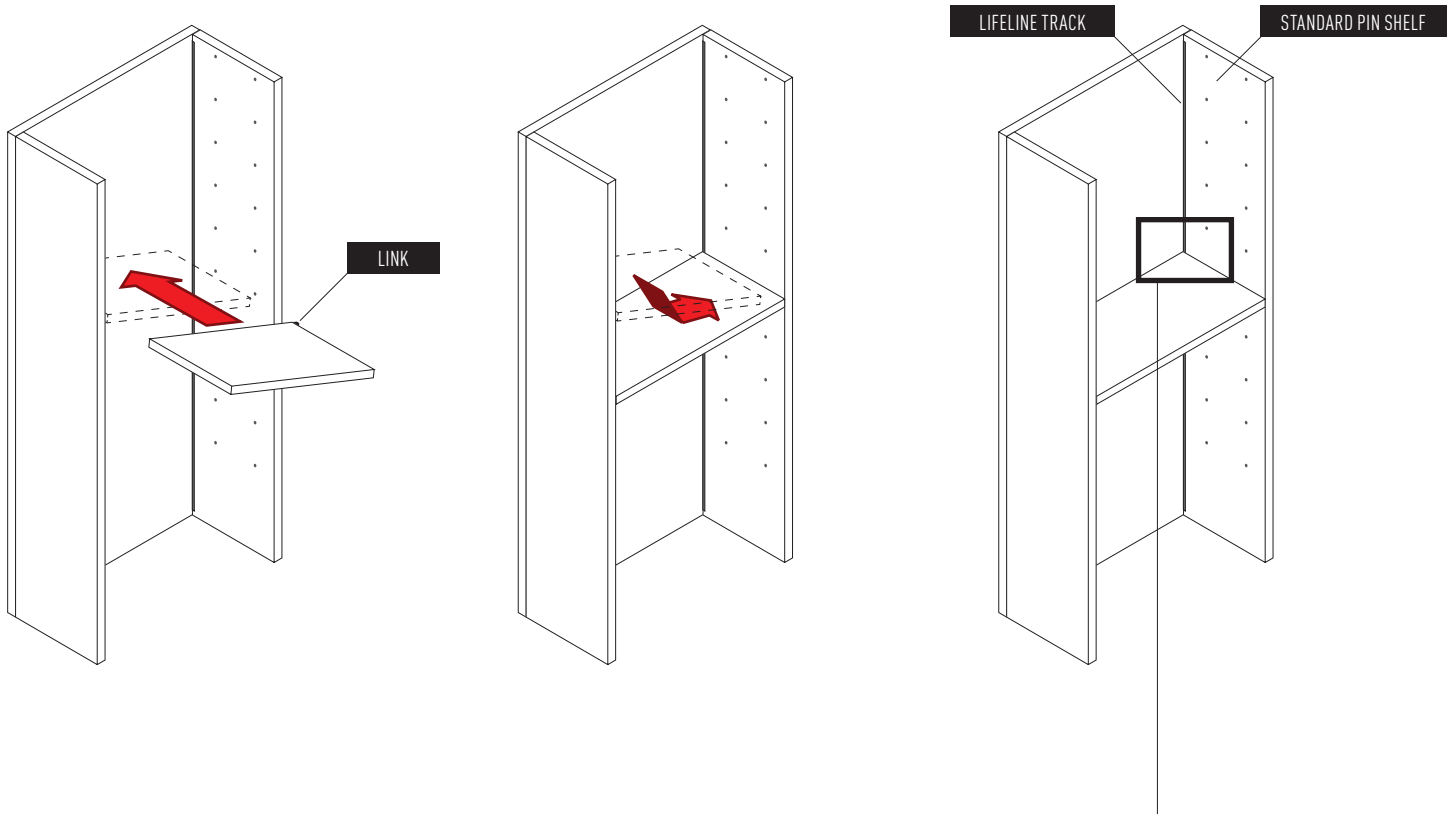
A LIFELINE track integrated in the shelving system is required in order to install the LINK.



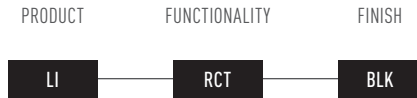
LIFELINE track installed on the back corner



LIFELINE track installed on the side corner



Ordering code



ARCHITECTURAL LIGHTING **EKLIPSE**

2090 rue Moreau
Suite 100
Montréal, QC - H1W 2M3
Canada

T +1 514 590 0099
INT 1 877 590 0099
F +1 514 590 0098
sales@eklipselighting.com
www eklipselighting.com

Specifications may vary, without altering or reducing product performance.
All information on this document are the sole property of Eclipse

Architectural Lighting inc.
Reproduction of this document, in whole or in part, without written permission is illegal.

Warranty

Our products and relative parts are guaranteed for **one (1)** year. See our terms and conditions on www eklipselighting.com