

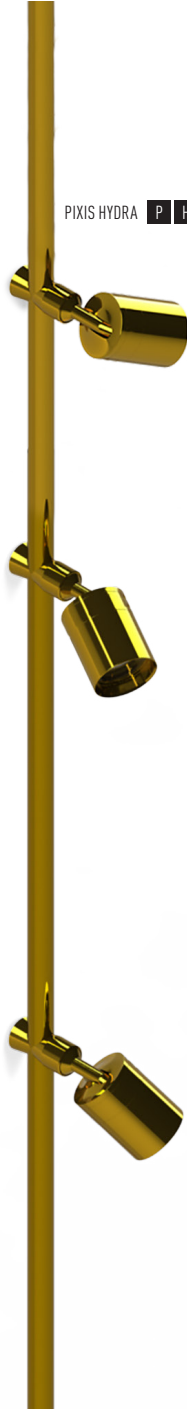
Date _____ Specifier _____ Project _____ Type _____



PIXIS PLUG AND PLAY P PNP



PIXIS STEM P S



PIXIS HYDRA P H

PIXIS PNP/STEM/HYDRA

An ingenious snap magnet design lets you swap optics and snoots instantaneously

Versatility offering beyond-flexible lighting choreography

Different finishes and a discrete design ensure the device blends into the background

Application



Spot light



Cabinet and display stand

Light output

Standard light output

Reference configuration				Luminous Flux Density		Light source
CCT	CRI	FINISH	OPTIC	W	Delivered Lumens	Efficacy
4000K	80	ABK	18°	3.5*	175 lm	61 lm/W

*Cold start power only, see electrical

Light source

225 lm @ 2.1 W, 3500K, 80 CRI

Total Light Loss Factor (TLLF) calculation

CCT/CRI table						Finish table				Optics table	
CCT	CRI	LLF	CCT	CRI	LLF	FINISH	LLF	FINISH	LLF	OPTIC	LLF
2200K	80	0.55	2400K	80	0.68	ABK	1.00	ACL	1.00	18°	1.00
2700K	80	0.79	3000K	80	0.85	W	1.00	TWB	1.00	24°	0.97
	90	0.65		90	0.71	PB	1.00	BB	1.00	41°	0.85
3500K	80	0.90	4000K	80	1.00	PC	1.00	PG	1.00		
						BG	1.00	PBKN	1.00		

CCT/CRI LLF × Finish LLF × Optics LLF = TLLF

Actual light output

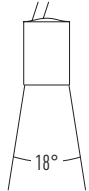
Example configuration				Reference LFD		Actual LFD
CCT	CRI	FINISH	OPTIC	W	Lum. Flux Density (LFD)	Lum. Flux Density (LFD)
2700K	90	ACL	41°	3.5	175 lm	98 lm
0.65 × 1.00 × 0.85 =				TLLF 0.56		

Optical distributions

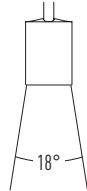
18° 18D

LIGHT BEAM

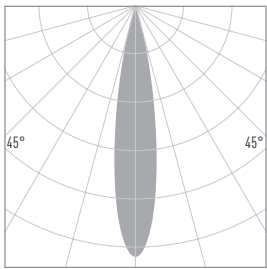
SIDE VIEW



FRONT VIEW



LIGHT DISTRIBUTION



1476 Cd, 175 delivered lumens

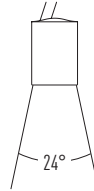
Height	Lux
1' (30cm)	15888
2' (60cm)	3972
3' (90cm)	1765
5' (150cm)	636
8' (240cm)	248

Beam angle 19°
 Field angle 33°

24° 24D

LIGHT BEAM

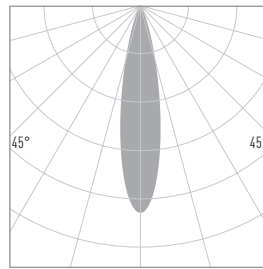
SIDE VIEW



FRONT VIEW



LIGHT DISTRIBUTION



894 Cd, 170 delivered lumens

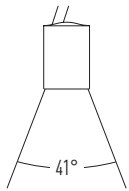
Height	Lux
1' (30cm)	9688
2' (60cm)	2422
3' (90cm)	1076
5' (150cm)	388
8' (240cm)	151

Beam angle 22°
 Field angle 45°

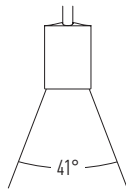
41° 41D

LIGHT BEAM

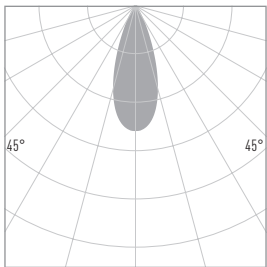
SIDE VIEW



FRONT VIEW



LIGHT DISTRIBUTION



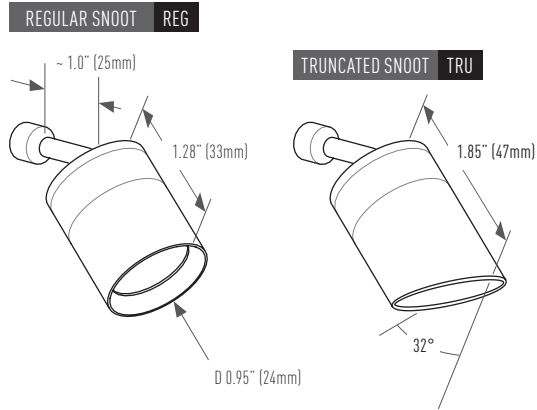
323 Cd, 152 delivered lumens

Height	Lux
1' (30cm)	3498
2' (60cm)	875
3' (90cm)	389
5' (150cm)	140
8' (240cm)	55

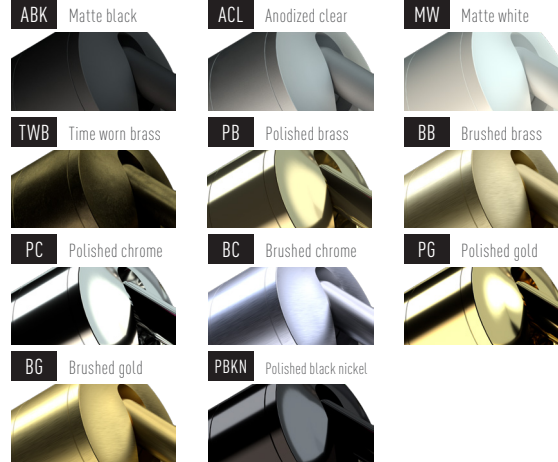
Beam angle 39°
 Field angle 68°

Physical

GENERAL DIMENSIONS



Finish



Construction

Aluminium body

PC optics

Ingress protection

IP20

Weight

0.08 lbs (35 g)

Operating ambient temperature

0 °C to 40 °C

Storage temperature

0 °C to 40 °C at 50% humidity.

Not all finishes are available for each model. Please refer to ordering code.

Electrical (all models)

i This product is a **DC LED Lighting Module**. The following are required to operate as a complete system – to order separately:

Power Supply

12 VDC | Constant Voltage | PWM (if dimmable) | Remote Installation

Recommended driver Eklipse Light Manager LM-12V-60W-...

[1% dim in 0-10V / DALI / Ecosystem]

MODULE CURRENT REGULATION

PASSIVE

DRIVER COMPATIBILITY

UNIVERSAL*

*must follow requirements above

Input Voltage 12 VDC in Constant Voltage for all 3 models (PNP, PS, PH)

Power 3.5 W (cold start) 2.9 W (stable within minutes from startup)

[16 Pixis supported by our recommended driver LM-12V-60W-...]

Dimming Capable of operating down to 0.1%

[depends on driver performance/limitations]

Wiring Red(+)/Black(-) wires, 48"-long, 24 AWG, UL Listed, AWM style 1213, polarized, see installation below.

Safety Information cULus Listed, CE, SELV, Class 2, Dry location

Installation (PNP only)

Pixis Plug'n'Play are magnetically mounted into included female receptacle. Receptacle permanently installed. Receptacle wires: use only within application (AWM), shorten as required to connect to NEC-compliant cable. Fully independent operation, Pixis can be safely removed/installed/switched/hot plugged from receptacles at any time without impacting other Pixis in the same circuit. Can be safely aimed/removed with bare hands during operation. Handling hot may cause brief discomfort to some users. For additional details, see integration instructions.

Remote Limitations

Voltage loss tolerance due to remote driver cable course, up to -2.5 V. See **LIGHT MANAGER** spec for max. cable length table per AWG.

Applications (PNP only)

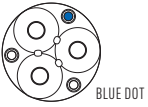
Designed for general surface mounts in ceiling and walls, undercabinets, shelves, Integrated into Millwork/Furniture, glass cabinets, showcases, displays and others for residential, retail, commercial, museums, exhibits, Library and more. Elegant everywhere, just the right amount of light exactly where needed with 3 choice of optics, our most versatile product.

Optional accessories (for extra items)

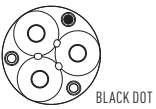
Interchangeable optics

Optics can be ordered to customize on the field in your application. Optics are marked by a colored dot.

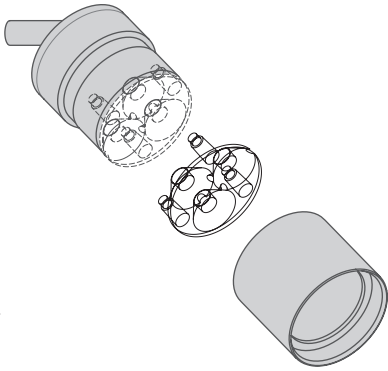
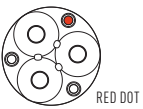
18° optic
OPT-18D-P24A



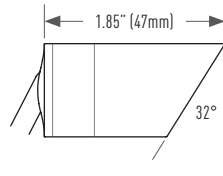
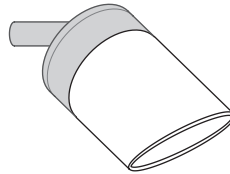
24° optic
OPT-24D-P24A



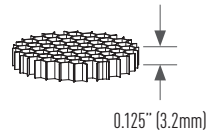
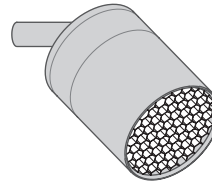
41° optic
OPT-41D-P24A



Truncated snoot
SNO-TRU-P24A-(FINISH)

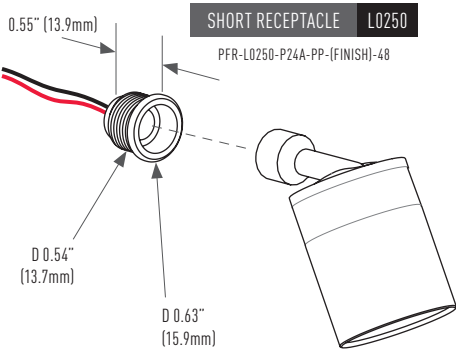


Hexcell louver
HCL-P24A



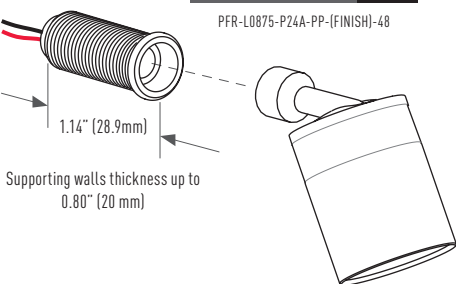
PIXIS PLUG AND PLAY mounting overview

GENERAL DIMENSIONS



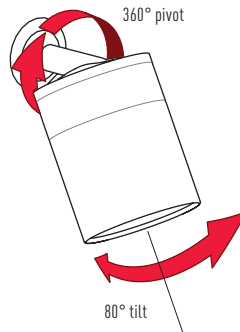
Supporting walls thickness up to 0.20" (5 mm)

LONG RECEPTACLE L0875

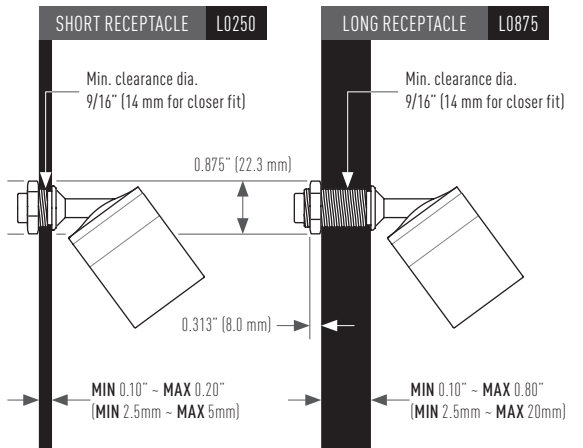
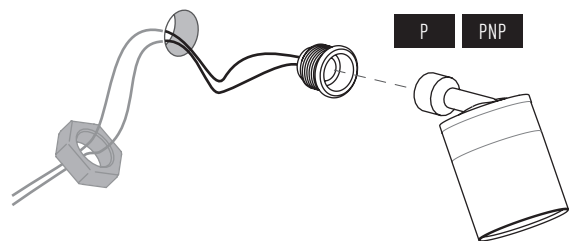


Supporting walls thickness up to 0.80" (20 mm)

ADJUSTMENTS

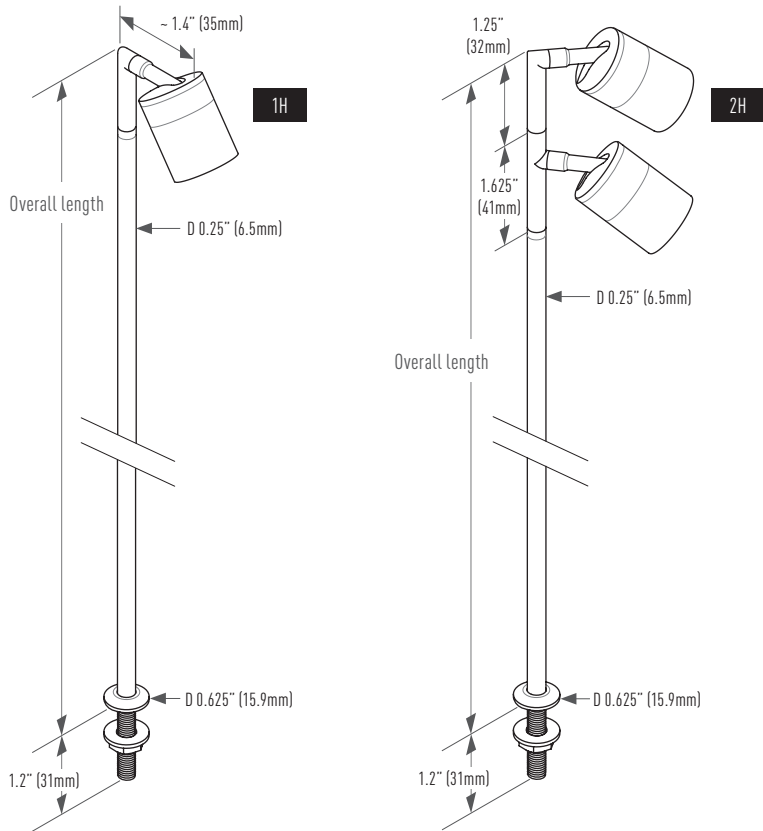


INTEGRATION OVERVIEW

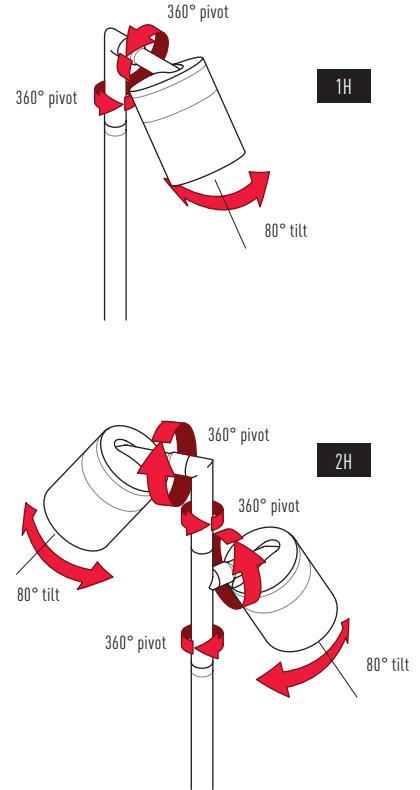


PIXIS STEM mounting overview

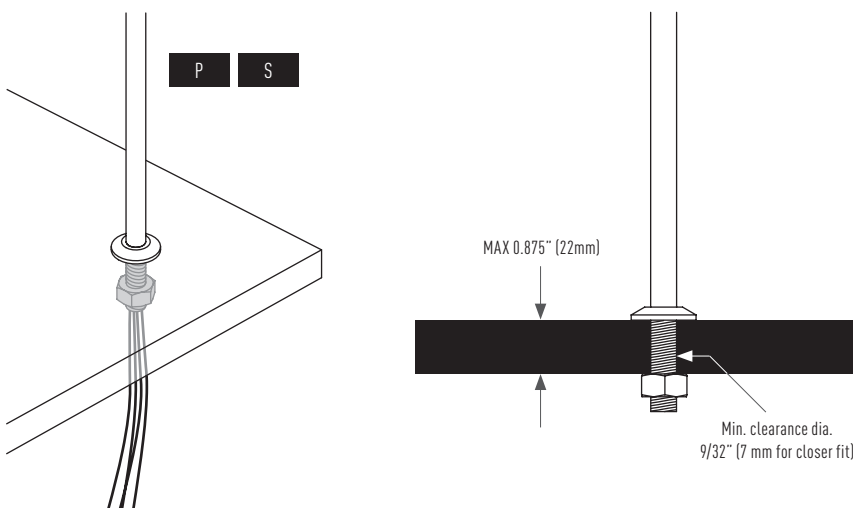
GENERAL DIMENSIONS



ADJUSTMENTS

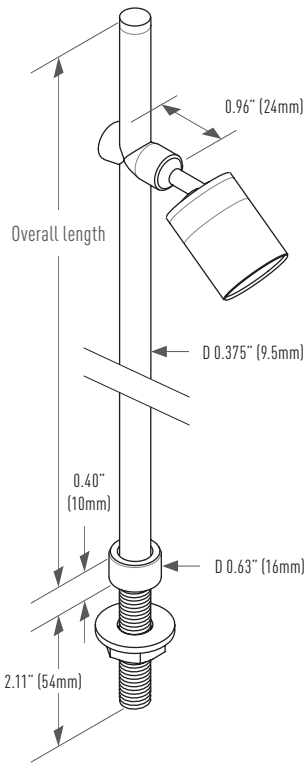


INTEGRATION OVERVIEW

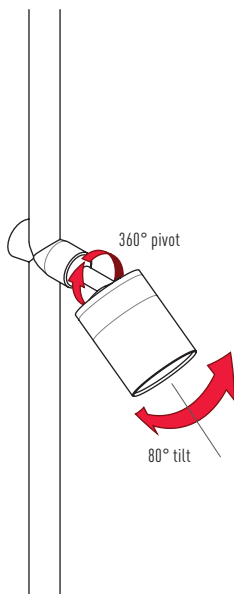


PIXIS HYDRA mounting overview

GENERAL DIMENSIONS

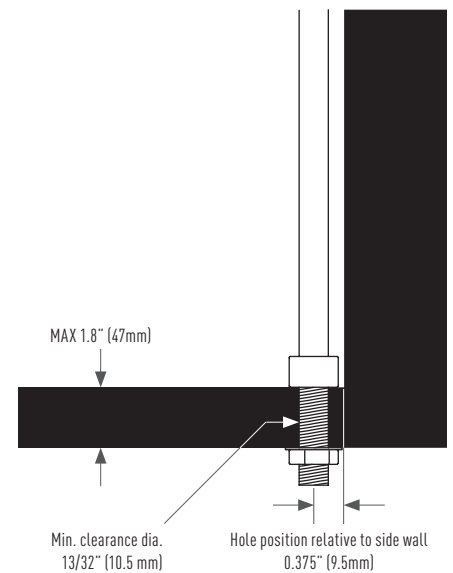
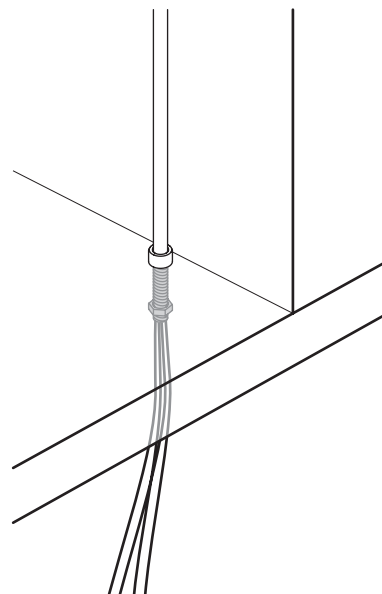
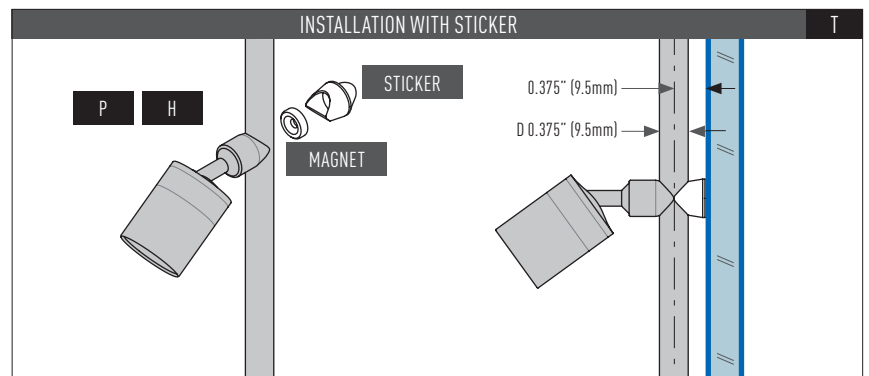
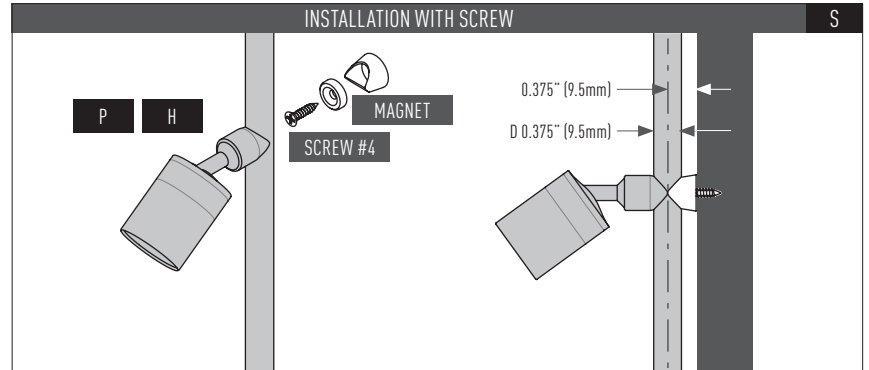


ADJUSTMENTS

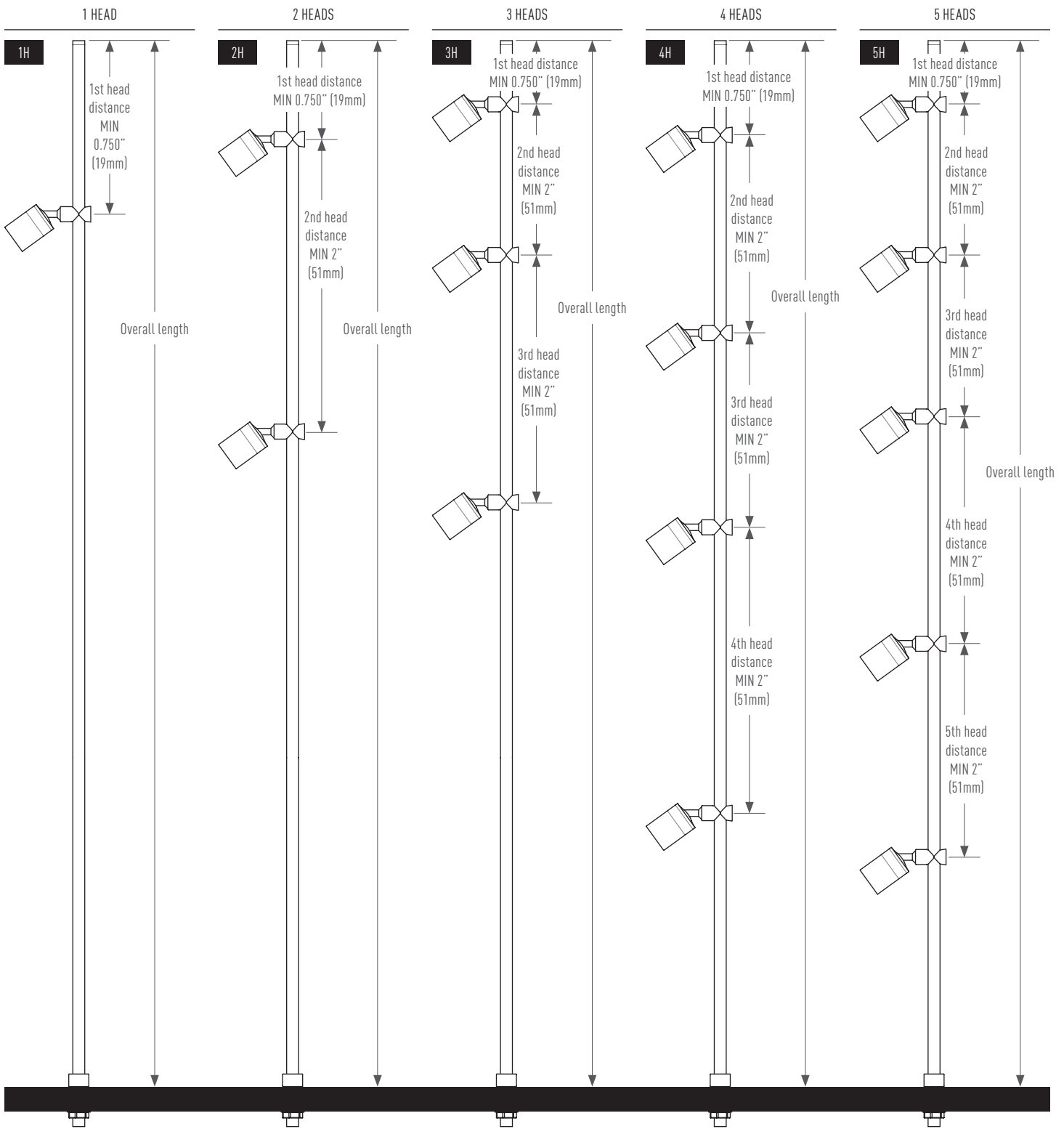


INTEGRATION OVERVIEW

PIXIS HYDRA can be easily installed on many types of surface, using one of two magnetic fastening support, with screw or with sticker.



Design your own HYDRA



PIXIS PLUG AND PLAY ordering code

PRODUCT			CORE OPTIONS								EXT. OPTIONS
ID	CONSTRUCTION TEMPLATE	MOUNTING OPTIONS	INPUT	OUTPUT	NUMBER OF HEADS	SNOOT	FINISH	CCT CRI		OPTICS	WIRE LENGTH
P	PNP	L0250	12V	3.5W	1H	REG	ABK	2200K	80	18D	48
P	PNP	L0875				TRU	MW	2700K	80	24D	CUSTOM
PIXIS	PLUG AND PLAY	L0250 Short female receptacle				REG Regular snoot	TWB	3000K	80	41D	In inches
		L0875 Long female receptacle				TRU Truncated snoot	PB	3500K	80	18D.H	
		Available also as accessory					BB	4000K	80	24D.H	
							PC			41D.H	
							BC			##D Optic only	
							PG			##DH Optic with Hexcell louver	
							BG				
							PBKN				

ORDERING CODE	EXAMPLE	P	-	PNP	-	L0875	-	12V	-	3.5W	-	1H	-	REG	-	PBKN	-	3000K80	-	41D	-	100	INCHES
			-		-		-		-		-		-		-		-		-		-		
			-		-		-		-		-		-		-		-		-		-		
			-		-		-		-		-		-		-		-		-		-		

PIXIS STEM ordering code

PRODUCT			CORE OPTIONS								EXT. OPTIONS	
ID	CONSTRUCTION TEMPLATE	INPUT	OUTPUT	NUMBER OF HEADS	SNOOT	FINISH	CCT CRI		OPTIC	STEM HEIGHT	WIRE LENGTH	
P	S	12V	3.5W	1H	REG	ABK	2200K	80	18D	1.9 to 18.0	48	
P	S		Per head	2H	TRU	ACL	2700K	80	24D	For 1 Head	CUSTOM	
PIXIS	STEM				REG Regular snoot	TWB	3000K	80	41D	3.5 to 18.0	In inches	
					TRU Truncated snoot	PB	3500K	80	18D.H	For 2 Heads		
						BB	4000K	80	24D.H	Inches		
						PC			41D.H	Available in increment of 0.1".		
						BC				##D Optic only		
						PG				##DH Optic with Hexcell louver		
						BG						
						PBKN						

ORDERING CODE	EXAMPLE	P	-	S	-	12V	-	7W	-	2H	-	REG	-	PG	-	3000K80	-	41D	-	16.7	-	48	Overall length (INCHES) INCHES
			-		-		-		-		-		-		-		-		-		-		
			-		-		-		-		-		-		-		-		-		-		
			-		-		-		-		-		-		-		-		-		-		

PIXIS HYDRA ordering code

PRODUCT			CORE OPTIONS								EXT. OPTIONS	
ID	CONSTRUCTION TEMPLATE	MOUNTING OPTIONS	INPUT	OUTPUT	NUMBER OF HEADS	SNOOT	FINISH	CCT CRI		OPTIC	STEM HEIGHT	WIRE LENGTH
P	H	T	12V	3.5W	1H	REG	TWB	2200K	80	18D	18.0 to 90.0	48
P PIXIS	H HYDRA	S	Per head		2H	TRU	PB	2700K	80	24D	In inches	CUSTOM
		NA			3H	REG Regular snoot	BB	90	41D	Available finishes PC, BC	In inches	
		T Sticker			4H		PC	3000K	80		18D.H	
		S Screw			5H		BC	3500K	80		24D.H	
		NA No mounting			TRU Truncated snoot		PG	4000K	80		41D.H	
						BG				##D Optic only	18.0 to 55.0	
						PBKN				##DH Optic with Hexcell louver	Available finishes TWB, PB, BB, PG, BG, PBKN	Available in increment of 0.1".

ORDERING CODE	EXAMPLE	P	H	S	12V	10.5W	3H	REG	BB	3000K80	41D	Overall length (INCHES)	36	INCHES	48

- | | | |
|-------------------------------|-----------------------------|--------------------------------------|
| ABK
Matte black | ACL
Silver | MW
Matte white |
| TWB
Time worn brass | PB
Polished brass | BB
Brushed brass |
| PC
Polished chrome | BC
Brushed chrome | PBKN
Polished black nickel |
| PG
Polished gold | BG
Brushed gold | |

Accessories ordering code

Interchangeable optics

OPT	18D	P24A
	24D	
	41D	

ORDERING CODE

Truncated snoot

SNO	TRU	P24A	ABK
			ACL
			MW
			TWB
			PB
			BB
			PC
			BC
			PG
			BG
			PBKN

ORDERING CODE

Hexcell louver

HCL	P24A
-----	------

ORDERING CODE

Plug and play receptacle

PFR	L0250	P24A	PP	ABK	48
	L0875			ACL	Wire length in inches
				MW	
				TWB	
				PB	
				BB	
				PC	
				BC	
				PG	
				BG	
				PBKN	

ABK
Matte black

ACL
Silver

MW
Matte white

TWB
Time worn brass

PB
Polished brass

BB
Brushed brass

PC
Polished chrome

BC
Brushed chrome

PBKN
Polished black nickel

PG
Polished gold

BG
Brushed gold

ORDERING CODE

					INCHES

ARCHITECTURAL LIGHTING **EKLIPSE**

2090 rue Moreau
Suite 100
Montréal, QC - H1W 2M3
Canada

T +1 514 590 0099
INT 1 877 590 0099
F +1 514 590 0098
sales@eklipselighting.com
www eklipselighting.com



Warranty

Our products and relative parts are guaranteed for **three (3) years**. See our terms and conditions on www eklipselighting.com