

Date _____ Specifier _____ Project _____ Type _____



PIXIS FIVE LIFELINE

Powerful and flexible,
 simply connect and pivot
 anywhere along LIFELINE

Choose between three
 optics to see your lighting
 vision click into place

Discreet design ensures
 the device blends into the
 background

Application



Mate with
LIFELINE



Spot light

Light output



Standard light output

Light source

775 lm @ 6.1 W, 3500K, 80 CRI

Reference configuration				Luminous Flux Density		Efficacy
CCT	CRI	FINISH	OPTIC	W	Delivered Lumens	
4000K	80	ABK	27°	8.0	700 lm	91 lm/W

Total Light Loss Factor (TLLF) calculation

CCT/CRI table						Finish table		Optics table	
CCT	CRI	LLF	CCT	CRI	LLF	FINISH	LLF	OPTIC	LLF
2700K	80	0.92	3000K	80	0.94	ABK	1.00	20°	1.00
	90	0.79		90	0.82			27°	1.00
3500K	80	0.96	4000K	80	1.00			40°	0.86
	90	0.85		90	0.89				

CCT/CRI LLF × Finish LLF × Optics LLF = TLLF

Actual light output

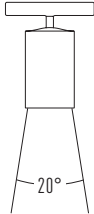
Example configuration				Reference LFD		Actual LFD
CCT	CRI	FINISH	OPTIC	W	Lum. Flux Density (LFD)	Lum. Flux Density (LFD)
2700K	90	ABK	40°	8.0	700 lm	476 lm
0.79 × 1.00 × 0.86 = TLLF 0.68						

Optical distributions

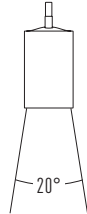
20° **20D**

LIGHT BEAM

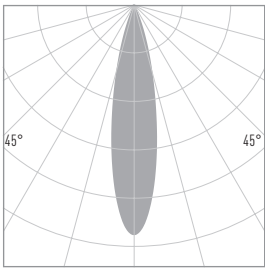
SIDE VIEW



FRONT VIEW



LIGHT DISTRIBUTION



3900 Cd, 663 delivered lumens

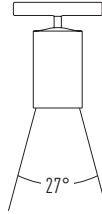
Height	Lux
2' (60cm)	10503
3' (90cm)	4668
5' (150cm)	1680
8' (240cm)	656
10' (300cm)	420

Beam angle 20°
 Field angle 41°

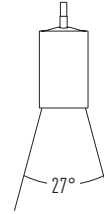
27° **27D**

LIGHT BEAM

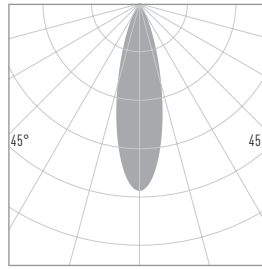
SIDE VIEW



FRONT VIEW



LIGHT DISTRIBUTION



2800 Cd, 670 delivered lumens

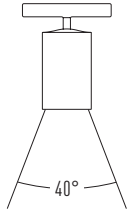
Height	Lux
2' (60cm)	7722
3' (90cm)	3432
5' (150cm)	1203
8' (240cm)	467
10' (300cm)	299

Beam angle 27°
 Field angle 50°

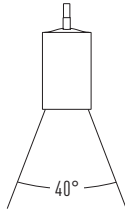
40° **40D**

LIGHT BEAM

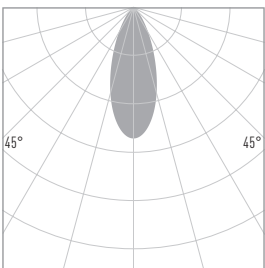
SIDE VIEW



FRONT VIEW



LIGHT DISTRIBUTION



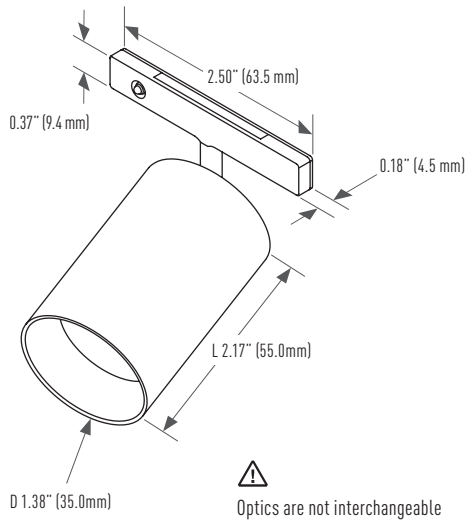
1000 Cd, 590 delivered lumens

Height	Lux
2' (60cm)	2691
3' (90cm)	1196
5' (150cm)	431
8' (240cm)	168
10' (300cm)	108

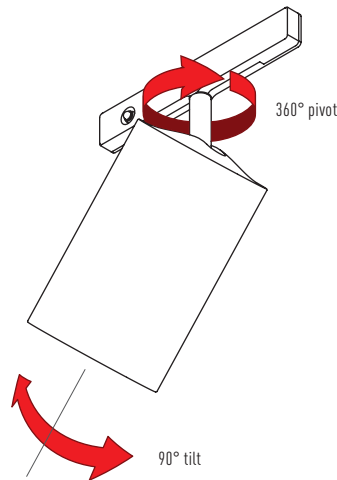
Beam angle 40°
 Field angle 79°

Physical

GENERAL DIMENSIONS



ADJUSTEMENTS



Construction

Aluminium body

PC optics

Finish

ABK Anodized black



Weight

0.22 lbs (100 g)

Ingress protection

IP20

Operating ambient temperature

0 °C to 40 °C

Storage temperature

0 °C to 40 °C at 50% humidity.

Electrical

This product is a **DC LED Lighting Module**. The following are required to operate as a complete system – to order separately:

Power Supply

24 VDC | Constant Voltage | PWM (if dimmable) | Remote Installation

Recommended driver Eklipse Light Manager LM-24V.100W-...
[1% dim in 0-10V / DALI / Ecosystem]

Track System

LIFELINE low voltage track system is required to operate PIXIS FIVE LIFELINE

MODULE CURRENT REGULATION

PASSIVE

DRIVER COMPATIBILITY

UNIVERSAL*

**following driver spec. req., works with all models*

Input Voltage 24 VDC in Constant Voltage

Power 8.0 W (cold start) 7.7 W (stable within minutes from startup)
[11 PIXIS FIVE supported by recommended driver LM-24V.100W-...]

Dimming Capable of operating down to 0.1%
[depends on driver performance/limitations]

Wiring None, case has integrated pins for LIFELINE connection

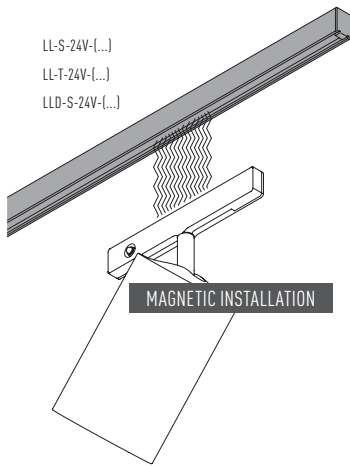
Safety Information cULus Listed, CE, SELV, Class 2, Dry location.

Installation Hot pluggable. Handling: Can be safely aimed/removed/installed with bare hands during operation. The use of non-slip gloves or cool down 5 minutes for comfortable handling is recommended. For additional details, see LIFELINE integration instructions.

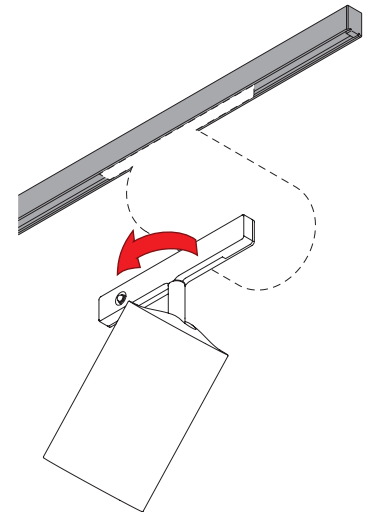
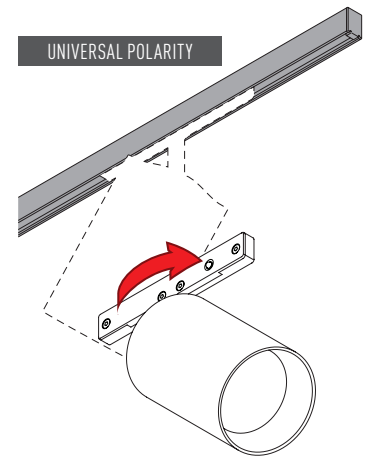
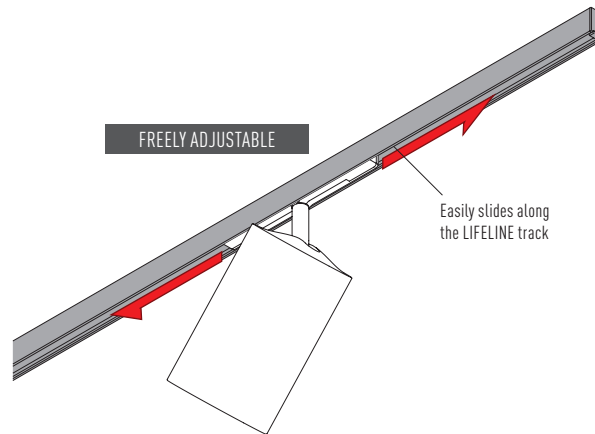
Remote Limitations Voltage loss tolerance due to remote driver cable course, up to -2.5 Volts. See LIGHT MANAGER spec for max. cable length table per AWG.

Applications Designed for general application in different environment such as residential, retail, museums and more. For additional details, see LIFELINE.

Integration overview



LIFELINE track system required for installation (sold separately). See LIFELINE for building a complete order code.



Ordering code

PRODUCT		CORE OPTIONS							
ID	CONSTRUCTION TEMPLATE	INPUT	OUTPUT	NUMBER OF HEADS	SNOOT	FINISH	CCT CRI		OPTICS
P5A	LL	24V	8W	1H	REG	ABK	2700K	80	20D
								90	27D
						ABK Anodized black	3000K	80	40D
								90	
							3500K	80	
								90	
							4000K	80	
								90	

ORDERING CODE	EXAMPLE	P5A	-	LL	-	24V	-	8W	-	1H	-	REG	-	ABK	-	3500K80	-	40D
			-		-		-		-		-		-		-		-	
			-		-		-		-		-		-		-		-	
			-		-		-		-		-		-		-		-	

ARCHITECTURAL LIGHTING **EKLIPSE**

2090 rue Moreau
 Suite 100
 Montréal, QC - H1W 2M3
 Canada

T +1 514 590 0099
INT 1 877 590 0099
F +1 514 590 0098
 sales@eklipselighting.com
 www.eklipselighting.com



Warranty

Our products and relative parts are guaranteed for **three (3) years**. See our terms and conditions on www.eklipselighting.com