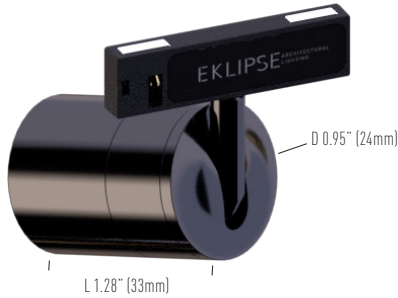


Date _____ Specifier _____ Project _____ Type _____



PIXIS LIFELINE

Magnetic mini modules designed for endless possibilities

Tiny, powerful, flexible: simply connect and pivot anywhere along Lifeline

Customize with three optics to see your lighting vision click into place

Application



Mate with LIFELINE



Spot light



Light output

Standard light output

Light source

195 lm @ 1.6 W, 3500K, 80 CRI

Reference configuration				Luminous Flux Density		Efficacy
CCT	CRI	FINISH	OPTIC	W	Delivered Lumens	
4000K	80	ABK	18°	3.5*	155 lm	65 lm/W

*Cold start power only, see electrical

Total Light Loss Factor (TLLF) calculation

CCT/CRI table						Finish table				Optics table	
CCT	CRI	LLF	CCT	CRI	LLF	FINISH	LLF	FINISH	LLF	OPTIC	LLF
2200K	80	0.55	2400K	80	0.68	ABK	1.00	ACL	1.00	18°	1.00
2700K	80	0.79	3000K	80	0.85	W	1.00	TWB	1.00	24°	0.97
	90	0.65		90	0.71	PB	1.00	BB	1.00	41°	0.85
3500K	80	0.90	4000K	80	1.00	PC	1.00	PG	1.00		
						BG	1.00	PBKN	1.00		

CCT/CRI LLF × Finish LLF × Optics LLF = TLLF

Actual light output

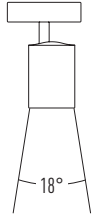
Example configuration				Reference LFD		Actual LFD
CCT	CRI	FINISH	OPTIC	W	Lum. Flux Density (LFD)	Lum. Flux Density (LFD)
2700K	90	ACL	41°	3.5	155 lm	87 lm
0.65 × 1.00 × 0.85 =				TLLF 0.56		

Optical distributions

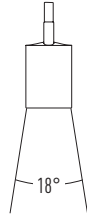
18° 18D

LIGHT BEAM

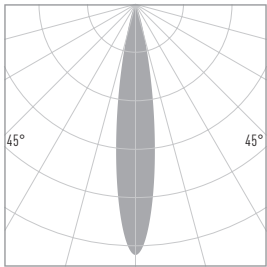
SIDE VIEW



FRONT VIEW



LIGHT DISTRIBUTION



1315 Cd, 155 delivered lumens

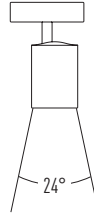
Height	Lux
1' (30cm)	13724
2' (60cm)	3431
3' (90cm)	1525
5' (150cm)	549
8' (240cm)	214

Beam angle 17°
 Field angle 34°

24° 24D

LIGHT BEAM

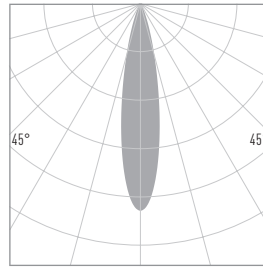
SIDE VIEW



FRONT VIEW



LIGHT DISTRIBUTION



838 Cd, 150 delivered lumens

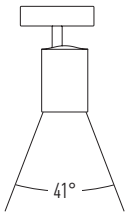
Height	Lux
1' (30cm)	8622
2' (60cm)	2155
3' (90cm)	958
5' (150cm)	345
8' (240cm)	135

Beam angle 23°
 Field angle 45°

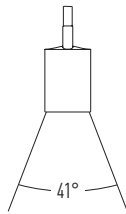
41° 41D

LIGHT BEAM

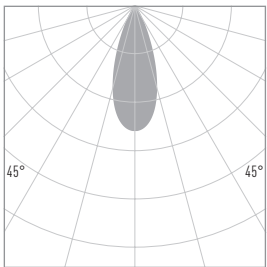
SIDE VIEW



FRONT VIEW



LIGHT DISTRIBUTION

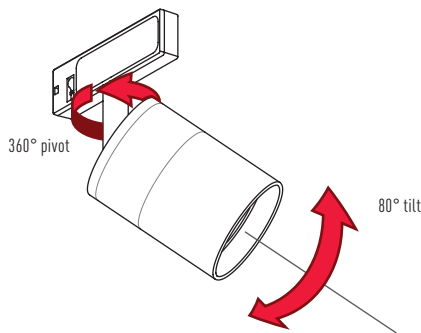
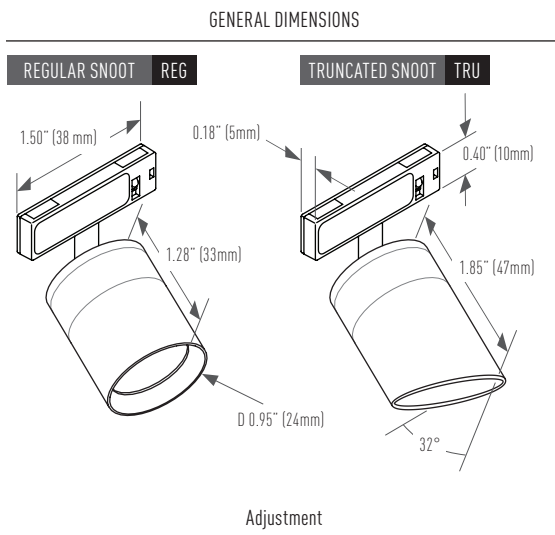


279 Cd, 132 delivered lumens

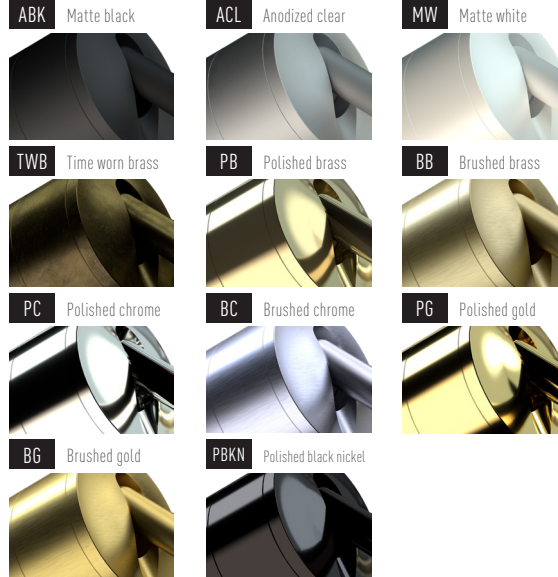
Height	Lux
1' (30cm)	3003
2' (60cm)	751
3' (90cm)	334
5' (150cm)	120
8' (240cm)	47

Beam angle 40°
 Field angle 67°

Physical



Finish



Construction

Aluminium body

PC Optics

Ingress protection

IP20

Weight

0.08 lbs (35 g)

Operating ambient temperature

0 °C to 40 °C

Storage temperature

0 °C to 40 °C at 50% humidity.

Electrical

i This product is a **DC LED Lighting Module**. The following are required to operate as a complete system – to order separately:

- Power Supply**
24 VDC | Constant Voltage | PWM (if dimmable) | Remote Installation
Recommended driver: Eclipse Light Manager LM-24V-100W-[...]
[1% dim in 0-10V / DALI / Ecosystem]
- Track System**
LIFELINE low voltage track system is required to operate PixelLL

MODULE CURRENT REGULATION

ACTIVE

DRIVER COMPATIBILITY

LIMITED*

*see compatibility section next

Input Voltage 24 VDC in Constant Voltage

Power 3.5 W (cold start) 2.4 W (stable within minutes from startup)

Dimming Capable of operating down to 5%
[dimmer low-end trim adjustments may be needed for synchronous operation]

Wiring None needed, integrated pins to case for LIFELINE connection

Safety Information cULus Listed, CE, SELV, Class 2, Dry location

Installation Hot Pluggable. Can be safely aimed/removed with bare hands during operation. Handling hot may cause brief discomfort to some users. See LIFELINE integration instructions.

Remote Limitations Voltage loss tolerance due to remote driver cable course, up to -2.5 Volts. See LIGHT MANAGER spec for max. cable length table per AWG.

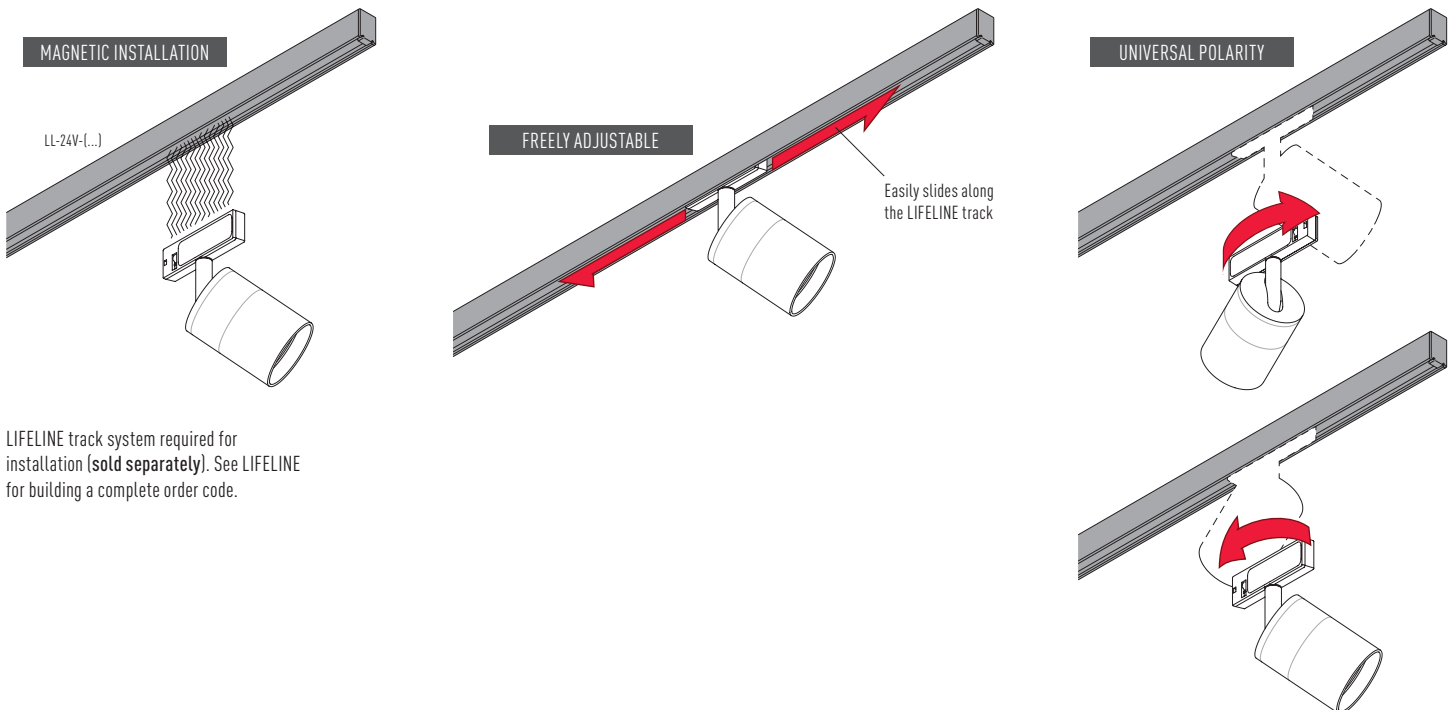
Applications See LIFELINE. Additionally, glass cabinets, showcases, displays and other for retail, commercial, museums and exhibits.

Driver compatibility list

Only drivers from this list can be used, other drivers must be approved by engineering.

LIGHT MANAGER RECOMMENDED Dimming in 0-10V / DALI / Ecosys. LM-24V-100W-[...]	1-26 Pixis can be operated silently with ideal performance, trim dimming low-end to ~5-8% for synchronous operation between units. Guaranteed fully silent operation, ideal in very quiet environments and residential settings.
Lutron Hi-Lume Premier 0.1% 96W Dimming in Ecosystem PSL-CV-24V-96W-LUTL3D	1-26 Pixis can be operated, when dimmed users may hear a weak high frequency hum from both driver and Pixis. (1) Not recommended in quiet environments , when dimming between 95% and 25% level. Lower dimming is silent. (2) Not recommended with Lutron's 3-Wire dimmers , variable performance achieved per dimmer model.
Lutron Hi-Lume 1% 3-Wire 40W Dimming in 3-Wire / Ecosystem PSL-CV-24V-40W-LUTL3D	1-11 Pixis can be operated, when dimmed users may hear a weak high frequency hum from both driver and Pixis. (1) Not recommended in quiet environments , when dimming between 95% and 25% level. Lower dimming is silent.
EldoLED LINEARdrive100/S Dimming in DALI / DMX PSR-CV-24V-4x25W-LIN100A	1-8 Pixis can be operated by channel and per Lifeline section, up to 32 Pixis in 4 circuits can be supported by driver. Very very faint hum, only heard by the most sensitive persons, no environment restrictions but no silence guarantee. (!) Driver requires to be installed in UL Listed Enclosure. Not included with order, contact tech support for details.

Integration overview

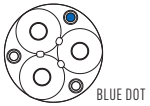


Optional accessories (to be ordered separately)

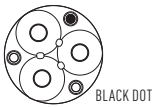
Interchangeable optics

Optics can be ordered to customize on the field in your application. Optics are marked by a colored dot.

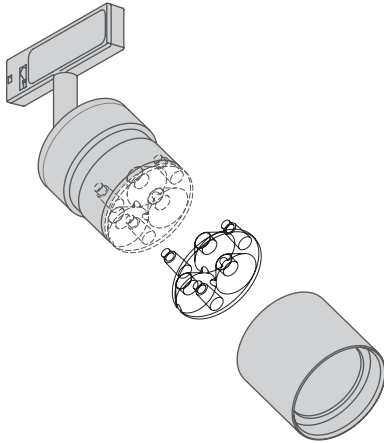
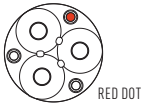
18° optic
OPT-18D-P24A



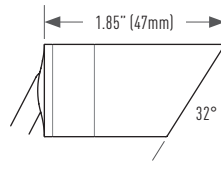
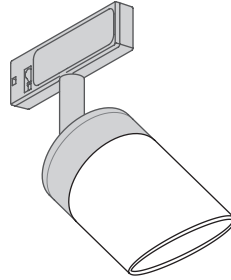
24° optic
OPT-24D-P24A



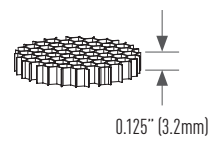
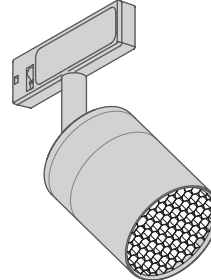
41° optic
OPT-41D-P24A



Truncated snout
SNO-TRU-P24A-(FINISH)



Hexcell louver
HCL-P24A



Ordering code

PRODUCT		CORE OPTIONS							
ID	CONSTRUCTION TEMPLATE	INPUT	OUTPUT	NUMBER OF HEADS	SNOOT	FINISH	CCT CRI		OPTICS
P	LL	24V	3.5W	1H	REG	ABK	2200K	80	18D
P PIXIS	LL LIFELINE				TRU	ACL	2700K	80	24D
						MW		90	41D
					REG Regular snoot	TWB	3000K	80	18D.H
						PB	3500K	80	24D.H
					TRU Truncated snoot	BB	4000K	80	41D.H
						PC	#D Optic only		
						BC	#DH Optic with Hexcell Louver		
						PG			
						BG			
						PBKN			

- | | |
|--------------------------------------|-------------------------------|
| ABK
Anodized black | ACL
Anodized clear |
| MW
Matte white | TWB
Time worn brass |
| PB
Polished brass | BB
Brushed brass |
| PC
Polished chrome | BC
Brushed chrome |
| PG
Polished gold | BG
Brushed gold |
| PBKN
Polished black nickel | |

ORDERING CODE EXAMPLE

P	-	LL	-	24V	-	3.5W	-	1H	-	REG	-	ACL	-	4000K80	-	18D
	-		-		-		-		-		-		-		-	
	-		-		-		-		-		-		-		-	
	-		-		-		-		-		-		-		-	

Accessories ordering code

Interchangeable optics

OPT	18D	P24A
	24D	
	41D	

ORDERING CODE

	-		-	
	-		-	
	-		-	

Truncated snoot

SNO	TRU	P24A	ABK
			ACL
			MW
			TWB
			PB
			BB
			PC
			BC
			PG
			BG
			PBKN

ORDERING CODE

	-		-		-	
	-		-		-	

Hexcell louver

HCL	P24A
-----	------

ORDERING CODE

	-	
	-	
	-	

ARCHITECTURAL LIGHTING **EKLIPSE**

2090 rue Moreau
Suite 100
Montréal, QC - H1W 2M3
Canada

T +1 514 590 0099
INT 1 877 590 0099
F +1 514 590 0098
sales@eklipselighting.com
www.eklipselighting.com



MADE IN FABRIQUÉ AU CANADA

Warranty

Our products and relative parts are guaranteed for **three (3) years**. See our terms and conditions on www.eklipselighting.com