

Date _____ Specifier _____ Project _____ Type _____

Protected by U.S. Patent
10,161,608



PROXI

Patented technology for light so well concealed, it inspires awe

Beautifully uniform light distribution bathes entire area with no distracting cut off

Proprietary near-invisible millwork detail for easy, no-fuss integration

Application



Shelf lighting



Closet lighting



Cove lighting

Light output

Standard light output

Reference configuration		
CCT	CRI	FINISH
3500K	80	ACL

Luminous Flux Density	
W/ft	Delivered Lumens
2.5	220 lm/ft (720 lm/m)
4	340 lm/ft (1120 lm/m)
6	500 lm/ft (1640 lm/m)

Light source

870 lm/ft @ 6 W/ft, 3500K, 80 CRI

Efficacy
86 lm/W
85 lm/W
83 lm/W

Total Light Loss Factor (TLLF) calculation

CCT/CRI table					
CCT	CRI	LLF	CCT	CRI	LLF
2200K	80	0.75	2400K	80	0.88
2700K	80	0.96	3000K	80	1.00
	90	0.79		90	0.86
3500K	80	1.00	4000K	80	1.03
	90	0.86		90	0.89

Finish table	
FINISH	LLF
ACL	1.00

CCT/CRI LLF × Finish LLF = TLLF

Actual light output

Example configuration		
CCT	CRI	FINISH
2700K	90	ACL

Reference LFD	
W/ft	Lum. Flux Density (LFD)
2.5	220 lm/ft (720 lm/m)
4	340 lm/ft (1120 lm/m)
6	500 lm/ft (1640 lm/m)

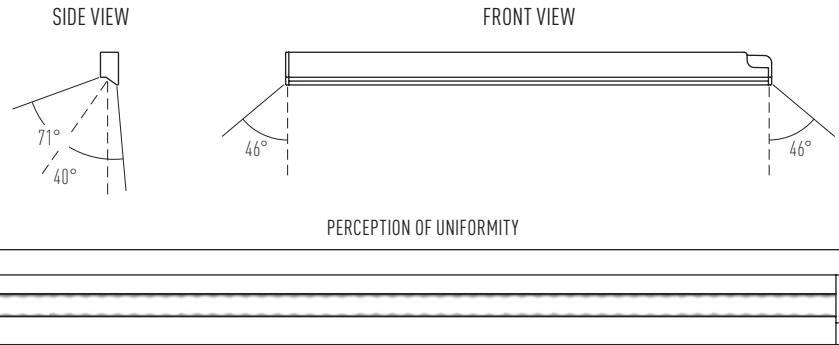
Actual LFD	
W/ft	Lum. Flux Density (LFD)
2.5	175 lm/ft (570 lm/m)
4	270 lm/ft (885 lm/m)
6	395 lm/ft (1295 lm/m)

0.79 × 1.00 = TLLF 0.79

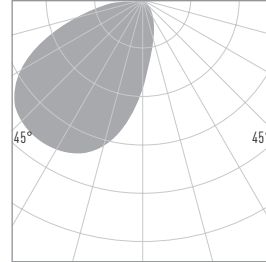


Optical distributions

BEAM ANGLES



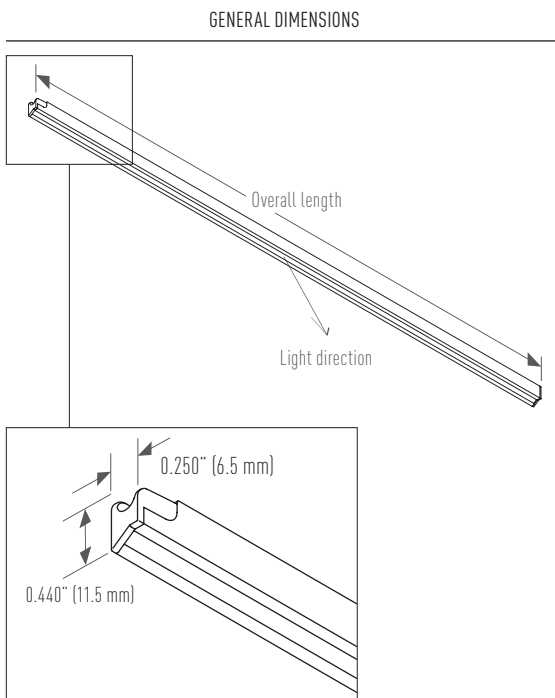
LIGHT DISTRIBUTION



Beam angle 71°
Tilt angle 40°
Ext. spread 46°

279 Cd, 505 delivered lumens @12"

Physical



Construction

Aluminium extrusion
PET barrier film

Finish

ACL Anodized clear



Weight

0.07 lbs/ft (100 g/m)

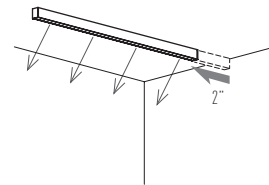
Length specifications

2.2" to 100.2" in increments of 1.0".

(See last page for available lengths in mm)

Installation advice

For optimal light distribution on surfaces, suggest keeping a 2" (50mm) clearance from the side wall.



Ingress protection

IP40

Operating ambient temperature

0 °C to 40 °C

Storage temperature

0 °C to 40 °C at 50% humidity.

Electrical

i This product is a **DC LED Lighting Module**. The following are required to operate as a complete system – to order separately:

Power Supply

24 VDC | Constant Voltage | PWM (if dimmable) | Remote Installation

Recommended driver: Eclipse Light Manager LM-24V-100W-[...]

[1% dim in 0-10V / DALI / Ecosystem]

MODULE CURRENT REGULATION

PASSIVE

DRIVER COMPATIBILITY

UNIVERSAL*

*following driver spec. req., works with all models

Input Voltage 24 VDC in Constant Voltage

Power Density 2.5 W/ft | 4 W/ft | 6 W/ft 8 W/m | 13 W/m | 20 W/m

Dimming Capable of operating down to 0.1%

[depends on driver performance/limitations]

Wiring Red(+)/Black(-) wires, 48"-long, 24 AWG, UL Listed, AWM style 1213, polarized, see installation below.

Safety Information cULus Listed, CE, SELV, Class 2, Dry location

Installation Magnetically mounted (order steel band accessory separately). Wires: use only within application, shorten as required to connect to NEC compliant cabling. For additional details, see **integration instructions**.

Cable Limit Acceptable voltage loss tolerance from remote driver cable length: up to 2.5 V. See **LIGHT MANAGER** spec for max. cable length table per AWG.

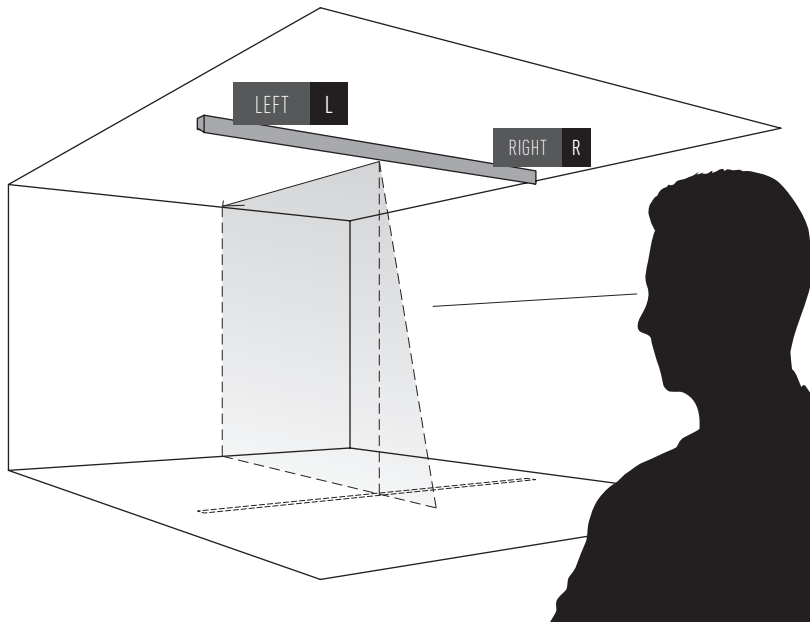
Applications Designed for shelves, display, showcases, undercabinets, integrated into furniture, closets (certified safe at 2.5W/ft for direct contact with clothes), and other applications.

Wiring options

WIRE DIRECTION

Single exit. Allows the possibility to choose left or right wire exit.

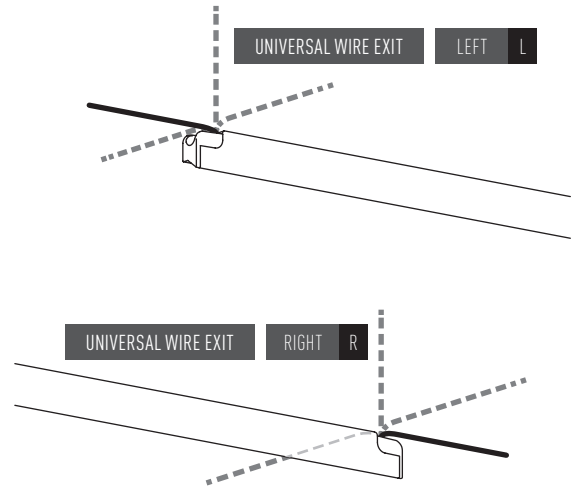
Double exit. Connection system allowing fixtures to be installed in a series left and right exit.



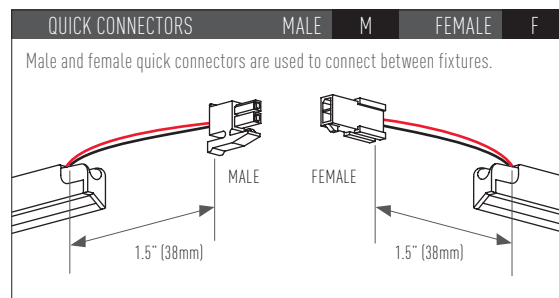
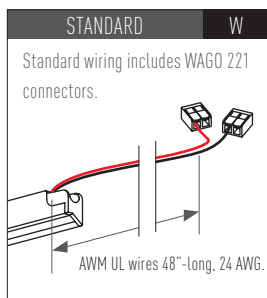
In asymmetric beams, left and right are set in relation to the light going away from your sight.

WIRE EXIT

The wire position can be freely moved and adjusted as per the installation requirements.

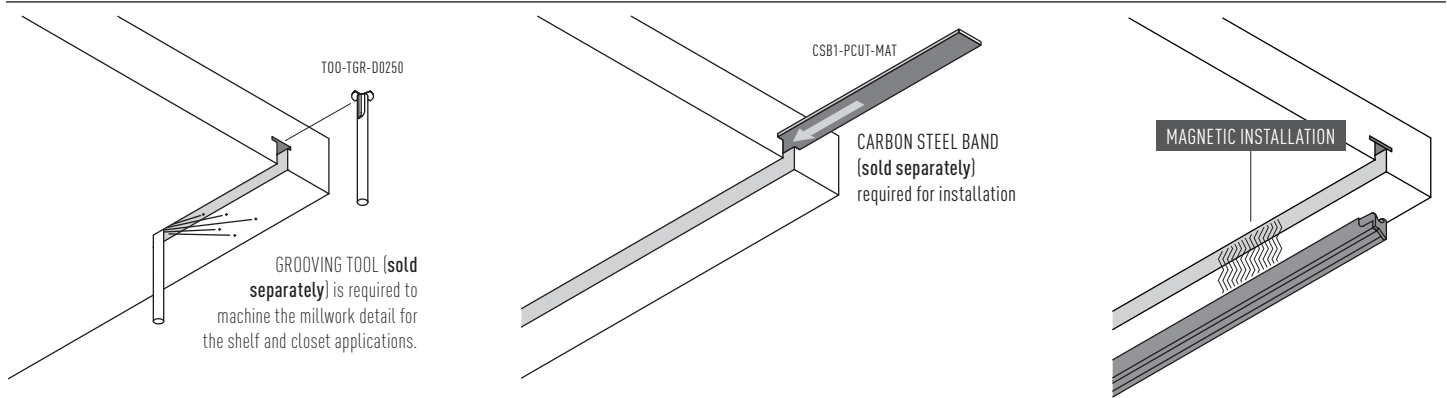


WIRE CONNECTOR OPTIONS

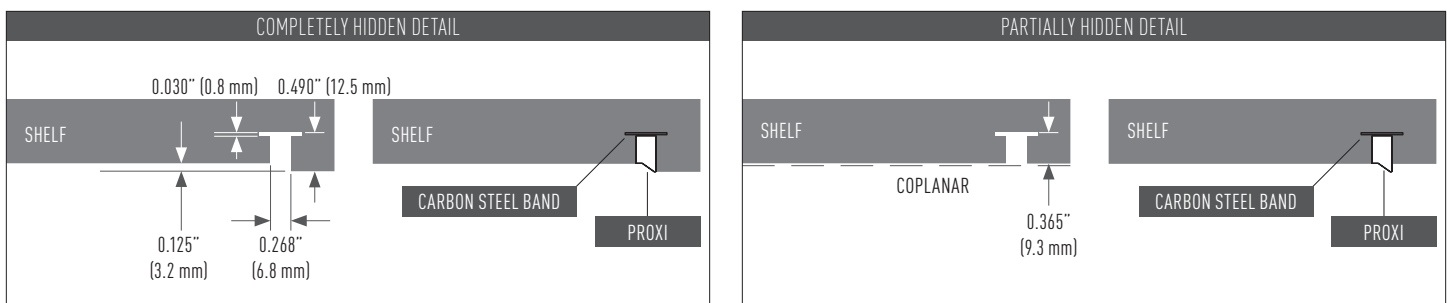


Integration overview

INTEGRATION PROCESS



2 POSSIBLE MILLWORK DETAILS

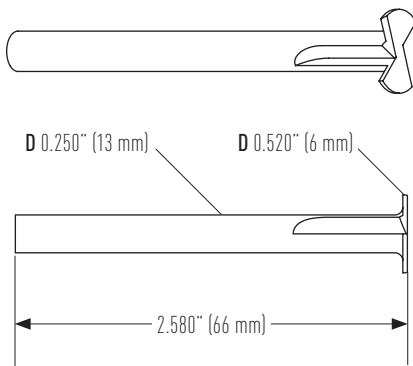


Essential accessories (to be ordered separately)

Proxi grooving tool

TOO-TGR-D0250

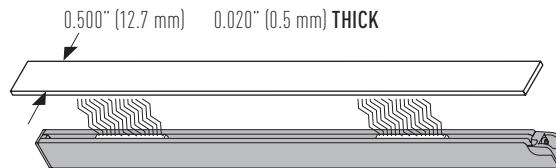
A special cutting tool for CNC is required in order to create the housing into the shelf for the PROXI installation.



Carbon steel band (type 1)

CSB1-PCUT-MAT

Required for magnetic installation. Pre-cut to match ordered lengths.



See integration instructions for details.

Ordering code

PRODUCT		CORE OPTIONS					EXTENDED OPTIONS					
ID	INPUT	OUTPUT	FINISH	CCT CRI	LENGTH	WIRING OPTIONS						
PX	24V	2.5W	ACL Anodized clear	2200K	80	2.2 to 100.2 Inches Available in increments of 1.0"	L	W	48	R	W	48
		CUSTOM		CUSTOM								
		M		1.5	F			1.5				
				CUSTOM				CUSTOM				
		F		1.5				1.5				
				CUSTOM				CUSTOM				
		2400K		80								
		2700K		80 90								
		3000K		80 90								
		3500K		80 90								
4000K	80 90											

2.5W/ft (8 W/m)
Closet rated for United States

Lengths are in inches
W Standard connector - **M** Male quick connector - **F** Female quick connector. For further details, refer to "Wiring option" section.

ORDERING CODE

EXAMPLE	PX	-	24V	-	6W	-	ACL	-	2700K80	-	INCHES	-	56.2	-	Single wire exit	or	Double wire exit	-	LW48	-	LW48+RM48	

Available fixture lengths

inches	mm	inches	mm	inches	mm	inches	mm	inches	mm	inches	mm	inches	mm	inches	mm	inches	mm	inches	mm	inches	mm				
2.2	56	10.2	260	20.2	514	30.2	768	40.2	1022	50.2	1276	60.2	1530	70.2	1784	80.2	2038	90.2	2292						
3.2	82	11.2	285	21.2	539	31.2	793	41.2	1047	51.2	1301	61.2	1555	71.2	1809	81.2	2063	91.2	2317						
4.2	107	12.2	310	22.2	564	32.2	818	42.2	1072	52.2	1326	62.2	1580	72.2	1834	82.2	2088	92.2	2342						
5.2	132	13.2	336	23.2	590	33.2	844	43.2	1098	53.2	1352	63.2	1606	73.2	1860	83.2	2114	93.2	2368						
6.2	158	14.2	361	24.2	615	34.2	869	44.2	1123	54.2	1377	64.2	1631	74.2	1885	84.2	2139	94.2	2393						
7.2	183	15.2	387	25.2	641	35.2	895	45.2	1149	55.2	1403	65.2	1657	75.2	1911	85.2	2165	95.2	2419						
8.2	209	16.2	412	26.2	666	36.2	920	46.2	1174	56.2	1428	66.2	1682	76.2	1936	86.2	2190	96.2	2444						
9.2	234	17.2	437	27.2	691	37.2	945	47.2	1199	57.2	1453	67.2	1707	77.2	1961	87.2	2215	97.2	2469						
		18.2	463	28.2	717	38.2	971	48.2	1225	58.2	1479	68.2	1733	78.2	1987	88.2	2241	98.2	2495						
		19.2	488	29.2	742	39.2	996	49.2	1250	59.2	1504	69.2	1758	79.2	2012	89.2	2266	99.2	2520						

100.2 2546

Accessories ordering code

Proxi grooving tool

T00

TGR

D0250

ORDERING CODE

<input type="text"/>	-	<input type="text"/>	-	<input type="text"/>
<input type="text"/>	-	<input type="text"/>	-	<input type="text"/>
<input type="text"/>	-	<input type="text"/>	-	<input type="text"/>

Carbon steel band (type 1)

CSB1

PCUT

MAT

ORDERING CODE

<input type="text"/>	-	<input type="text"/>	-	<input type="text"/>
<input type="text"/>	-	<input type="text"/>	-	<input type="text"/>
<input type="text"/>	-	<input type="text"/>	-	<input type="text"/>

ARCHITECTURAL LIGHTING **EKLIPSE**

2090 rue Moreau
Suite 100
Montréal, QC - H1W 2M3
Canada

T +1 514 590 0099
INT 1 877 590 0099
F +1 514 590 0098
sales@eklipselighting.com
www eklipselighting.com



Warranty

Our products and relative parts are guaranteed for **three (3) years**. See our terms and conditions on www eklipselighting.com